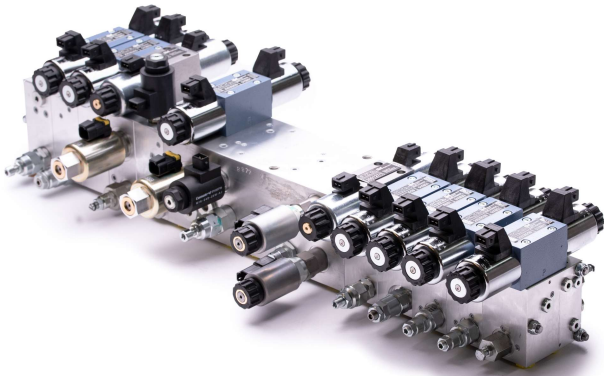


iblos-SW04 and SW10

supremely versatile modular manifolds

IBL·HYDRONIC

... the solution provider



versatile · flexible · compact

Our load-sensing capable hydraulic block systems offer a modular design and are available in various sizes. They are specifically designed for use in mobile machinery. All sizes are compatible with both constant and variable displacement pumps. The integrated auxiliary functions and unique block architecture set these control blocks apart from other systems in the market, providing the most compact functionality density in the industry. Our SW04 and SW10 block systems enable powerful hydraulic control that can cover all necessary machine functions. By integrating iblos-IMPact modules, easy-to-handle plug-and-play complete assemblies are created with integrated CAN bus functionality.

FEATURES

- Compact and highly functional design
- Elimination of proportional valves
- Mounting options for application-specific attachments
- Space-saving hydraulic connection for consumer lines
- Reduction of connection points
- Savings in piping
- Prevention of leakage

FUNCTION AND STRUCTURE

A Input section

Connection section for constant or variable displacement pumps in load-sensing operation.

B Primary section

Oil supply from the input section. Provides consumer and secondary sections with load-independent regulated oil flow through proportional valves.

C Sekundary section

Oil supply from the primary section. Supplies consumers with oil flow. Usually equipped with integrated additional functions such as brake valves, throttle valves, pressure limiting valves, etc.

D Additional function

CETOP intermediate plates of size NG06. Standard plates as well as application-specific configurations are used.

E Special function

Usually primary sections with specific application-specific features, such as iblos pressure relief control functionality. Also available as multi-function compact blocks with SW04/10 flange.

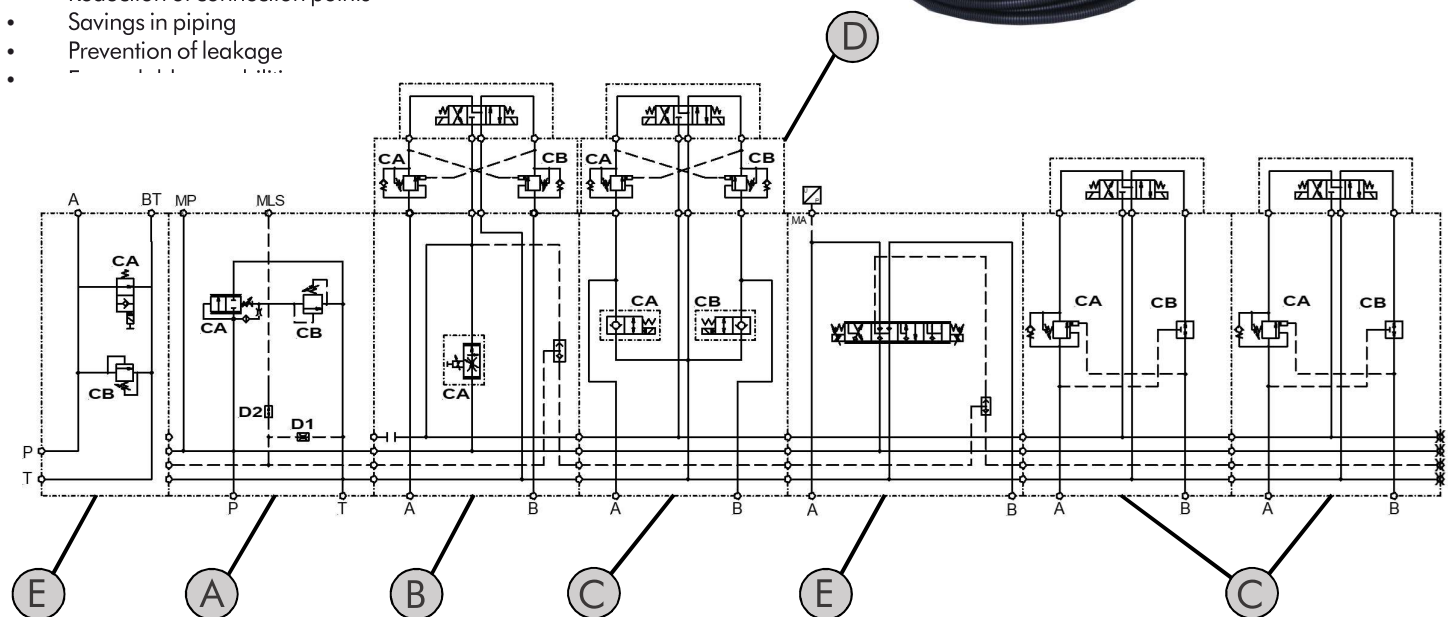
F Adapter plates SW04-SW10

Plates for combining the two nominal sizes 04 and 10 in one block.

Integrated CAN bus

Expansion through iblos-IMPact controllers

- System cable harnesses
- Easy-to-use technology

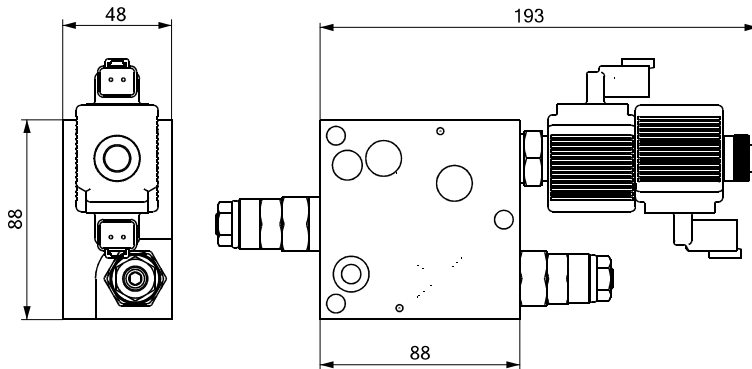


IBL-HYDRONIC GmbH und Co. KG phone: +49 (0) 37606 37 8280
Alte Baumechanik 2 mail: verkauf@iblos.com
D - 08485 Lengenfeld web: www.iblos.com

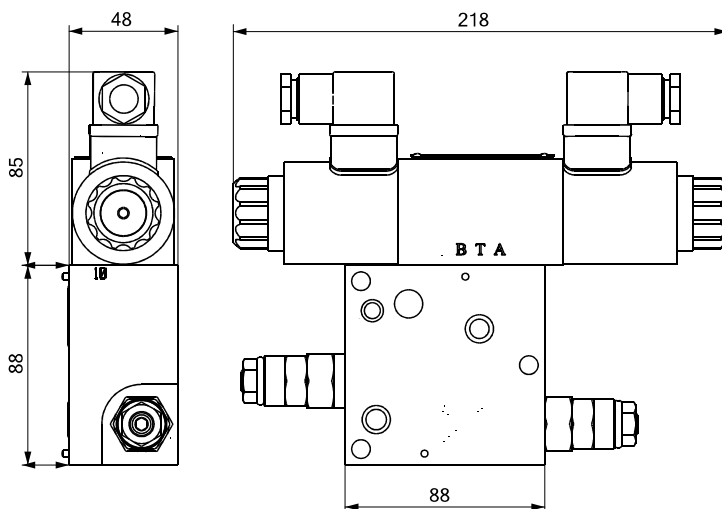
IBL·HYDRONIC
... the solution provider

DIMENSIONS

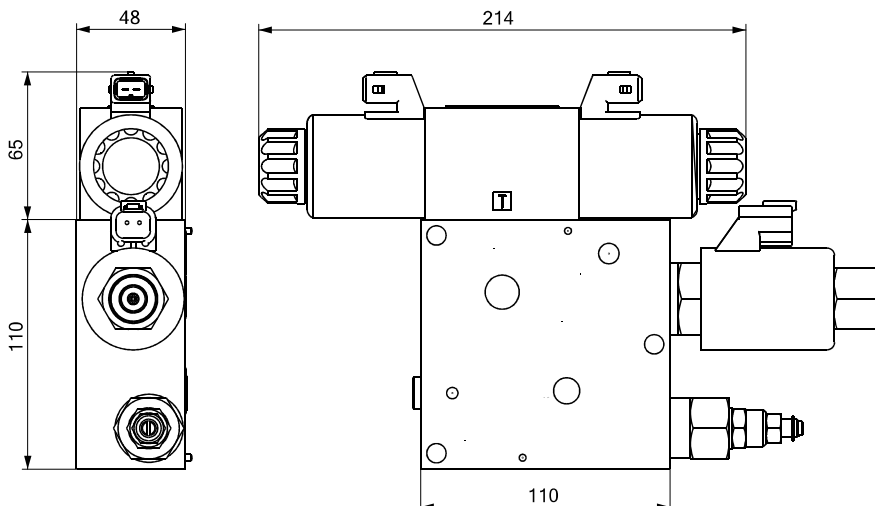
SW 04-15



SW 04-30



SW 10



TECNICAL PROPERTIES

Operating parameters

- mineral oil according to DIN51524, other liquids possible upon request
- oil temperature: -20° C to +85° C
- operating temperature: -30° C to +60° C
- ambient temperature: -30° C to +60° C

SW-04

Pressure

- max in P: 250bar
- max in A/B: 250bar
- max in T: 10bar

Consult us if pressures exceed these values.

Flow

- max in P/T G1/2: 60l/min
- max in A/B at SW04-30 G3/8: 30l/min
- max in A/B at SW04-15 G1/4: 15l/min

Size SW04-15 is functionally identical, but more compact.

SW-10

Pressure

- max in P: 250bar
- max in A/B G3/8: 250bar
- max in T: 10bar

Consult us if pressures exceed these values.

Durchfluss

- max in P/T: 120l/min
- max in A/B: 60l/min

Connections

SW04-15

- P: G3/8
- T: G1/2
- A/B: G1/4

SW04-30

- P: G1/2
- T: G1/2
- A/B: G3/8

Sw10

- P: G3/4
- T: G3/4
- A/B: G3/8

Coils

nominal voltage 12VDC: 1,0 bis 2,5A per Typ
 nominal voltage 24VDC: 0,8 bis 1,2A per Typ
 conncor: DIN-cubic plug, AMP, Deutsch

The details above are guidelines. Due to the multitude of available valves, details from the respective valve data sheets apply.