

iblos-HHI-07

CAN control panel with joystick

IBL·HYDRONIC

... the solution provider



space-saving · versatile · customized

CAN control panels iblos-HHI-07 can be equipped specifically for their respective application. The panels are suitable for a wide range of applications thanks to flexible joystick features and equipment. The short and slender design is tailored to the limited spaces available in trucks, tractors or equipment carriers and optimized for small control tasks. A variety of buttons, switch, potentiometers, LEDs, etc. can be built in depending on use. An illuminated keyboard is available for demanding control requirements. The iblos-HHI-07 is freely programmable in C.

Applications

- mulchers
- mowers
- snow plows
- frontshovels
- road sweepers
- tillage
- cleaning devices



Equipment

- buttons, various switches, illuminated
- potentiometer
- polychrome LED
- stop switches, emergency stops et al.

Interfaces

- CAN-network

Programming

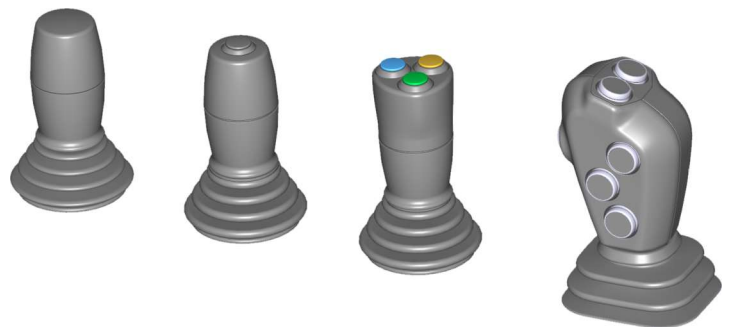
- freely programmable in C

Housing

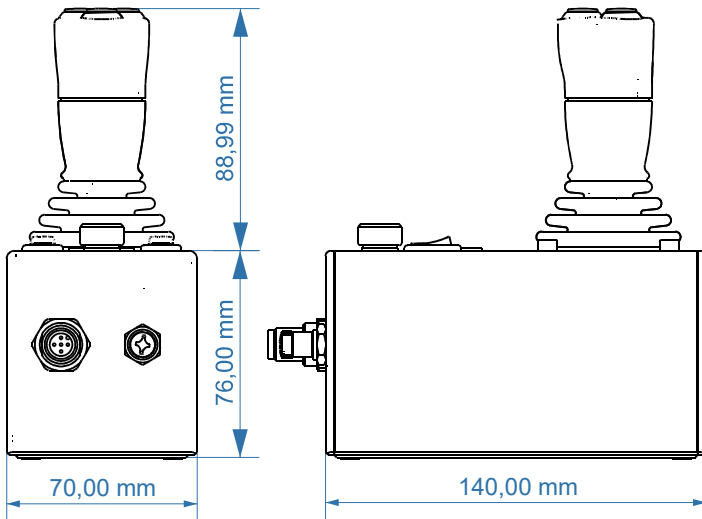
- plastic
- digital print
- RAM mount or specific installation

Joystick

- reverb, contactless, single or redundant
- uni- or biaxial, with or without motion link
- ball handle with no, 1 or 3 buttons
- multi-functional handle with button, thumbwheel, LED lighting
- 1 million mechanical actuations
- activation angle +/- 20°
- load up to 250N



DIMENSIONS



TECNICAL PROPERTIES

Electrical Connection

power supply 12/24 VDC (9 to 32 VDC)
load dump protection, suitable for vehicular
electrical systems
voltage internally monitored

Housing

plastic PS, IP50, housing with 1" RAM mounts,
customized equipment

Connection

M12 plug, 5pole
1: option enable, Stop button, emergency button
2: Vdd
3: 0V
4: CAN high
5: CAN low

or customized Ausführung

Ambient temperature

-25° C ... +70° C (storage -40°C...+80°C),
non-condensed

EMC-Norms

agricultural machines DIN EN ISO 14982:
2009
construction machines DIN EN 13766-1/2:
2018-12
interferences on the line ISO 7637: 2009
load dump ISO 16750-2: 2012-11-01

Data interface

1 x CAN-network 2.0 A/B