

Comatrol

RESPONSIVENESS IN MOTION

Member of the Danfoss Group



Housings

www.comatrol.com

AVAILABLE HOUSINGS

Order code	Cavity	Ports	Page
CP04-2-2B	CP04-2	1/4 BSP	HS - 8
CP04-2-4S	CP04-2	SAE #4	HS - 8
CP04-3-2B	CP04-3	1/4 BSP	HS - 9
CP04-3-4S	CP04-3	SAE #4	HS - 9
CP07-3-4S	CP07-3	SAE #4	HS - 10
CP08-3L-3B	CP08-3L	3/8 BSP	HS - 11
CP08-3L-4S	CP08-3L	SAE #4	HS - 11
CP08-3L-2B	CP08-3L	1/4 BSP	HS - 11
CP08-3L-6S	CP08-3L	SAE #6	HS - 11
CP12-2-54B	CP12-2	1/2 BSP	HS - 96
CP12-2-56B	CP12-2	3/4 BSP	HS - 97
CP12-2-6B	CP12-2	3/4 BSP	HS - 97
CP12-2-512S	CP12-2	SAE #12	HS - 97
CP12-2-510S	CP12-2	SAE #10	HS - 97
CP12-2-12S	CP12-2	SAE #12	HS - 97
CP12-2-10S	CP12-2	SAE #10	HS - 97
CP12-2-4B	CP12-2	1/2 BSP	HS - 97
CP12-3-4B	CP12-3	1/2 BSP	HS - 12
CP12-3-512S	CP12-3	SAE #12	HS - 12
CP12-3-6B	CP12-3	3/4 BSP	HS - 12
CP12-3-12S	CP12-3	SAE #12	HS - 12
CP12-3-10S	CP12-3	SAE #10	HS - 12
CP12-3-510S	CP12-3	SAE #10	HS - 12
CP12-3M-10S	CP12-3M	SAE #10	HS - 13
CP12-3M-12S	CP12-3M	SAE #12	HS - 13
CP12-3M-6B	CP12-3M	3/4 BSP	HS - 13
CP12-3S-6B/2B	CP12-3S	3/4 BSP, 1/4 BSP	HS - 14
CP12-3S-4B/2B	CP12-3S	1/2 BSP, 1/4 BSP	HS - 14
CP12-3S-12S/4S	CP12-3S	SAE #12, #4	HS - 14
CP12-3S-10S/4S	CP12-3S	SAE #10, #4	HS - 14
CP12-4-3B-X1	CP12-4	3/8 BSP	HS - 15
CP12-4-8S-X1	CP12-4	SAE #8	HS - 15
CP12-4-8S/4S	CP12-4	SAE #10, #4	HS - 15
CP12-4-8S	CP12-4	SAE #8	HS - 15
CP12-4-10S	CP12-4	SAE #10	HS - 15
CP12-4-4B	CP12-4	1/2 BSP	HS - 15
CP12-4-3B	CP12-4	3/8 BSP	HS - 15
CP12-4-10S-X1	CP12-4	SAE #10	HS - 15
CP12-4-10S/4S	CP12-4	SAE #10, #4	HS - 15
CP12-4-4B-X1	CP12-4	1/2 BSP	HS - 15
CP12-4-D05	CP12-4	ISO D05	HS - 16
CP12-4-D05-PC	CP12-4	ISO D05	HS - 17
CP16-4-12S-X1	CP16-4	SAE #12	HS - 18
CP16-4-16S-X1	CP16-4	SAE #16	HS - 18
CP16-4-6B	CP16-4	3/4 BSP	HS - 19
CP16-4-8B	CP16-4	1 BSP	HS - 19
CP16-4-12S	CP16-4	SAE #12	HS - 19
CP16-4-16S	CP16-4	SAE #16	HS - 19
CP20-3S-10B/2B	CP20-3S	1 1/4 BSP, 1/4 BSP	HS - 20
CP20-3S-16S/4S	CP20-3S	SAE #16, #4	HS - 20
CP20-3S-20S/4S	CP20-3S	SAE #20, #4	HS - 20
CP20-3S-8B/2B	CP20-3S	1 BSP, 1/4 BSP	HS - 20
UDPS-06-AL	ISO D03	#8 SAE	HS - 21
UDPS-10-AL	ISO D05	#8 SAE	HS - 22
NCS04/2-LG2-1/4	NCS04/2	1/4 BSP	HS - 23

AVAILABLE HOUSINGS

Order code	Cavity	Ports	Page
NCS04/2-LG2-6S	NCS04/2	SAE #6	HS - 23
NCS04/2-LG2-4S	NCS04/2	SAE #4	HS - 23
NCS04/2-DG-6S	NCS04/2	SAE #6	HS - 24
NCS04/2-DG-1/4	NCS04/2	1/4 BSP	HS - 24
NCS04/2-DG-4S	NCS04/2	SAE #4	HS - 24
NCS04/2-LG1-6S	NCS04/2	SAE #6	HS - 25
NCS04/2-LG1-1/4	NCS04/2	1/4 BSP	HS - 25
NCS04/2-LG1-4S	NCS04/2	SAE #4	HS - 25
NCS04/3-SI-1/4	NCS04/3	1/4 BSP	HS - 26
NCS04/3-DI-1/4	NCS04/3	1/4 BSP	HS - 27
NCS04/3-DI-3/8	NCS04/3	3/8 BSP	HS - 27
NCS04/3-DL-1/4	NCS04/3	1/4 BSP	HS - 28
NCS04/3-DL-4S	NCS04/3	SAE #4	HS - 28
NCS04/3-DL-6S	NCS04/3	SAE #6	HS - 28
NCS04/3-SE-4S	NCS04/3	SAE #4	HS - 29
NCS04/3-SE-6S	NCS04/3	SAE #6	HS - 29
NCS04/3-SE-1/4	NCS04/3	1/4 BSP	HS - 29
NCS04/3-SI-4S	NCS04/3	SAE #4	HS - 30
NCS04/3-SI-6S	NCS04/3	SAE #6	HS - 30
NCS04/3-L-6S	NCS04/4	SAE #6	HS - 31
NCS04/4-L-1/4	NCS04/4	1/4 BSP	HS - 32
NCS04/4-L-4S	NCS04/4	SAE #4	HS - 32
NCS06/2-LG2-8S	NCS06/2	SAE #8	HS - 33
NCS06/2-LG2-1/2	NCS06/2	1/2 BSP	HS - 33
NCS06/2-DG-3/8	NCS06/2	3/8 BSP	HS - 34
NCS06/2-DG-6S	NCS06/2	SAE #6	HS - 34
NCS06/2-DG-1/2	NCS06/2	1/2 BSP	HS - 35
NCS06/2-DG-8S	NCS06/2	SAE #8	HS - 35
NCS06/2-LG2-6S	NCS06/2	SAE #6	HS - 36
NCS06/2-LG2-3/8	NCS06/2	3/8 BSP	HS - 36
NCS06/2-LG1-1/2	NCS06/2	1/2 BSP	HS - 37
NCS06/2-LG1-8S	NCS06/2	SAE #8	HS - 37
NCS06/2-LG1-3/8	NCS06/2	3/8 BSP	HS - 38
NCS06/3-DL-1/2	NCS06/3	1/2 BSP	HS - 39
NCS06/3-DL-8S	NCS06/3	SAE #8	HS - 39
NCS06/3-LD-6S	NCS06/3	SAE #6	HS - 40
NCS06/3-LD-8S	NCS06/3	SAE #8	HS - 41
NCS06/3-SE-8S	NCS06/3	SAE #8	HS - 42
NCS06/3-SE-1/2	NCS06/3	1/2 BSP	HS - 42
NCS06/3-SE-3/8	NCS06/3	3/8 BSP	HS - 43
NCS06/3-SE-6S	NCS06/3	SAE #6	HS - 43
NCS06/3-SI-3/8	NCS06/3	3/8 BSP	HS - 44
NCS06/3-SI-6S	NCS06/3	SAE #6	HS - 44
NCS06/3-SI-1/2	NCS06/3	1/2 BSP	HS - 45
NCS06/3-SI-8S	NCS06/3	SAE #8	HS - 45
NCS06/3-DL-6S	NCS06/3	SAE #6	HS - 46
NCS06/3-DL-3/8	NCS06/3	3/8 BSP	HS - 46
NCS06/4-LD-3/8	NCS06/4	3/8 BSP	HS - 47
NCS06/4-LD-1/2	NCS06/4	1/2 BSP	HS - 48
NCS06/4-L-1/2	NCS06/4	1/2 BSP	HS - 49
NCS06/4-L-8S	NCS06/4	SAE #8	HS - 49
NCS06/4-L-3/8	NCS06/4	3/8 BSP	HS - 50
NCS06/4-L-6S	NCS06/4	SAE #6	HS - 50
NCS12/2-DG-12S	NCS12/2	SAE #12	HS - 51
NCS12/2-DG-3/4	NCS12/2	3/4 BSP	HS - 51

AVAILABLE HOUSINGS

Order code	Cavity	Ports	Page
NCS12/2-DG-8S	NCS12/2	SAE #8	HS - 51
NCS12/2-DG-1/2	NCS12/2	1/2 BSP	HS - 51
NCS12/2-LG1-8S	NCS12/2	SAE #8	HS - 52
NCS12/2-LG1-12S	NCS12/2	SAE #12	HS - 52
NCS12/2-LG2-12S	NCS12/2	SAE #12	HS - 53
NCS12/2-LG2-3/4	NCS12/2	3/4 BSP	HS - 53
NCS12/2-LG2-8S	NCS12/2	SAE #8	HS - 53
NCS12/2-LG2-1/2	NCS12/2	1/2 BSP	HS - 53
NCS12/3-DL-12S	NCS12/3	SAE #12	HS - 54
NCS12/3-DL-8S	NCS12/3	SAE #8	HS - 54
NCS12/3-DL-1/2	NCS12/3	1/2 BSP	HS - 55
NCS12/3-DL-3/4	NCS12/3	3/4 BSP	HS - 56
NCS12/3-SE-12S	NCS12/3	SAE #12	HS - 57
NCS12/3-SE-3/4	NCS12/3	3/4 BSP	HS - 57
NCS12/3-SE-1	NCS12/3	1/2 BSP	HS - 57
NCS12/3-SE-8S	NCS12/3	SAE #8	HS - 57
NCS12/3-SI-1	NCS12/3	1/2 BSP	HS - 58
NCS12/3-SI-12S	NCS12/3	SAE #12	HS - 58
NCS12/3-SI-3/4	NCS12/3	3/4 BSP	HS - 58
NCS12/3-SI-8S	NCS12/3	SAE #8	HS - 58
NCS12/4-L-1	NCS12/4	1/2 BSP	HS - 59
NCS12/4-L-3/4	NCS12/4	3/4 BSP	HS - 59
NCS12/4-L-12S	NCS12/4	SAE #12	HS - 60
NCS12/4-HD-1	NCS12/4	1/2 BSP	HS - 61
NCS12/5-6B/2B	NCS12/5	1/2 BSP, 1/4 BSP	HS - 62
NCS12/5-6B/3B	NCS12/5	1/2 BSP, 3/8 BSP	HS - 62
NCS12/5-10S/6S	NCS12/5	SAE #10, #6	HS - 63
NCS12/5-12S/6S	NCS12/5	SAE #12, #6	HS - 63
NCS12/5-S10S/6S	NCS12/5	SAE #10, #6	HS - 63
NCS12/5-S12S/6S	NCS12/5	SAE #12, #6	HS - 63
SDC08-2-DG-2B	SDC08-2	1/4 BSP	HS - 64
SDC08-2-DG-3B	SDC08-2	3/8 BSP	HS - 65
SDC08-2-LG1-3B	SDC08-2	3/8 BSP	HS - 66
SDC08-2-LG2-3B	SDC08-2	3/8 BSP	HS - 67
CP08-2-4S	SDC08-2	SAE #4	HS - 68
CP08-2-6S	SDC08-2	SAE #6	HS - 68
CP08-2-S4S	SDC08-2	SAE #4	HS - 68
SDC08-3-HI-2B	SDC08-3	1/4 BSP	HS - 69
SDC08-3-SE-2B	SDC08-3	1/4 BSP	HS - 70
SDC08-3-SE-3B	SDC08-3	3/8 BSP	HS - 70
CP08-3-S6S	SDC08-3	SAE #6	HS - 71
CP08-3-S4S	SDC08-3	SAE #4	HS - 71
CP08-3-6S	SDC08-3	SAE #6	HS - 71
CP08-3-4S	SDC08-3	SAE #4	HS - 71
CP08-4-6S	SDC08-4	SAE #6	HS - 72
CP08-4-4S	SDC08-4	SAE #4	HS - 72
SDC08-4-L-2B	SDC08-4	1/4 BSP	HS - 73
SDC10-2-3B	SDC10-2	3/8 BSP	HS - 74
SDC10-2-4B	SDC10-2	1/2 BSP	HS - 75
SDC10-2-S3B	SDC10-2	3/8 BSP	HS - 74
SDC10-2-S4B	SDC10-2	1/2 BSP	HS - 75
SDC10-2-6S	SDC10-2	SAE #6	HS - 76
SDC10-2-8S	SDC10-2	SAE #8	HS - 76
SDC10-2-S6S	SDC10-2	SAE #6	HS - 76
SDC10-2-S8S	SDC10-2	SAE #8	HS - 76

AVAILABLE HOUSINGS

Order code	Cavity	Ports	Page
CP10-2-S8S	SDC10-2	SAE #8	HS - 77
CP10-2-8S	SDC10-2	SAE #8	HS - 77
CP10-2-6S	SDC10-2	SAE #6	HS - 77
CP10-2-S6S	SDC10-2	SAE #6	HS - 77
SDC10-2-LG1-4B	SDC10-2	1/2 BSP	HS - 78
SDC10-2-LG2-4B	SDC10-2	1/2 BSP	HS - 79
CP10-3-6S	SDC10-3	SAE #6	HS - 80
CP10-3-8S	SDC10-3	SAE #8	HS - 80
CP10-3-S6S	SDC10-3	SAE #6	HS - 80
CP10-3-S8S	SDC10-3	SAE #8	HS - 80
SDC10-3-6S	SDC10-3	SAE #6	HS - 81
SDC10-3-8S	SDC10-3	SAE #8	HS - 81
SDC10-3-S6S	SDC10-3	SAE #6	HS - 81
SDC10-3-S8S	SDC10-3	SAE #8	HS - 81
SDC10-3-SI-3B	SDC10-3	3/8 BSP	HS - 82
SDC10-3-SI-4B	SDC10-3	1/2 BSP	HS - 83
SDC10-3-SE-4B	SDC10-3	1/2 BSP	HS - 84
SDC10-3-SE-3B	SDC10-3	3/8 BSP	HS - 85
SDC10-3S-SE-3B	SDC10-3S	3/8 BSP	HS - 86
SDC10-3S-SE-4B	SDC10-3S	1/2 BSP	HS - 86
SDC10-3S-10S/6S	SDC10-3S	SAE #10	HS - 87
SDC10-3S-8S/6S	SDC10-3S	SAE #8	HS - 87
SDC10-3S-6S/6S	SDC10-3S	SAE #6	HS - 87
SDC10-3S-S8S/6S	SDC10-3S	SAE #8	HS - 87
SDC10-3S-S4B/2B	SDC10-3S	1/2 BSP	HS - 87
DCB10-3S-6S	SDC10-3S	SAE #6	HS - 88
DCB10-3S-8S	SDC10-3S	SAE #8	HS - 88
DCB10-3S-10S	SDC10-3S	SAE #10	HS - 88
DCB10-3S-SE-3B	SDC10-3S	3/8 BSP	HS - 88
DCB10-3S-SE-4B	SDC10-3S	1/2 BSP	HS - 88
DCB10-3S-S6S	SDC10-3S	SAE #6	HS - 88
DCB10-3S-S8S	SDC10-3S	SAE #8	HS - 88
DCB10-3S-SE-S3B	SDC10-3S	3/8 BSP	HS - 88
DCB10-3S-SE-S4B	SDC10-3S	1/2 BSP	HS - 88
CP10-4-S8S	SDC10-4	SAE #8	HS - 90
CP10-4-8S-X1	SDC10-4	SAE #8	HS - 90
CP10-4-S6S	SDC10-4	SAE #6	HS - 90
CP10-4-6S-X1	SDC10-4	SAE #6	HS - 90
CP10-4-6S	SDC10-4	SAE #6	HS - 90
CP10-4-8S	SDC10-4	SAE #8	HS - 90
SDC10-4-6S	SDC10-4	SAE #6	HS - 89
SDC10-4-8S	SDC10-4	SAE #8	HS - 89
SDC10-4-S6S	SDC10-4	SAE #6	HS - 89
SDC10-4-S8S	SDC10-4	SAE #8	HS - 89
SDC10-4-HD-3B	SDC10-4	3/8 BSP	HS - 91
SDC10-4-L-3B	SDC10-4	3/8 BSP	HS - 92
SDC10-4-L-4B	SDC10-4	1/2 BSP	HS - 93
SDC10-4-D03	SDC10-4	ISO D03	HS - 94
SDC10-4-D03-PC	SDC10-4	ISO D03	HS - 95
SDC12-2-DG-6B	SDC12-2	3/4 BSP	HS - 98
SDC12-2-12S	SDC12-2	#12 SAE	HS - 99
SDC12-2-10S	SDC12-2	#10 SAE	HS - 99
SDC12-2-LG2-6B	SDC12-2	3/4 BSP	HS - 100
SDC12-2-LG1-6B	SDC12-2	3/4 BSP	HS - 101
SDC12-2-DG-4B	SDC12-2	1/2 BSP	HS - 102

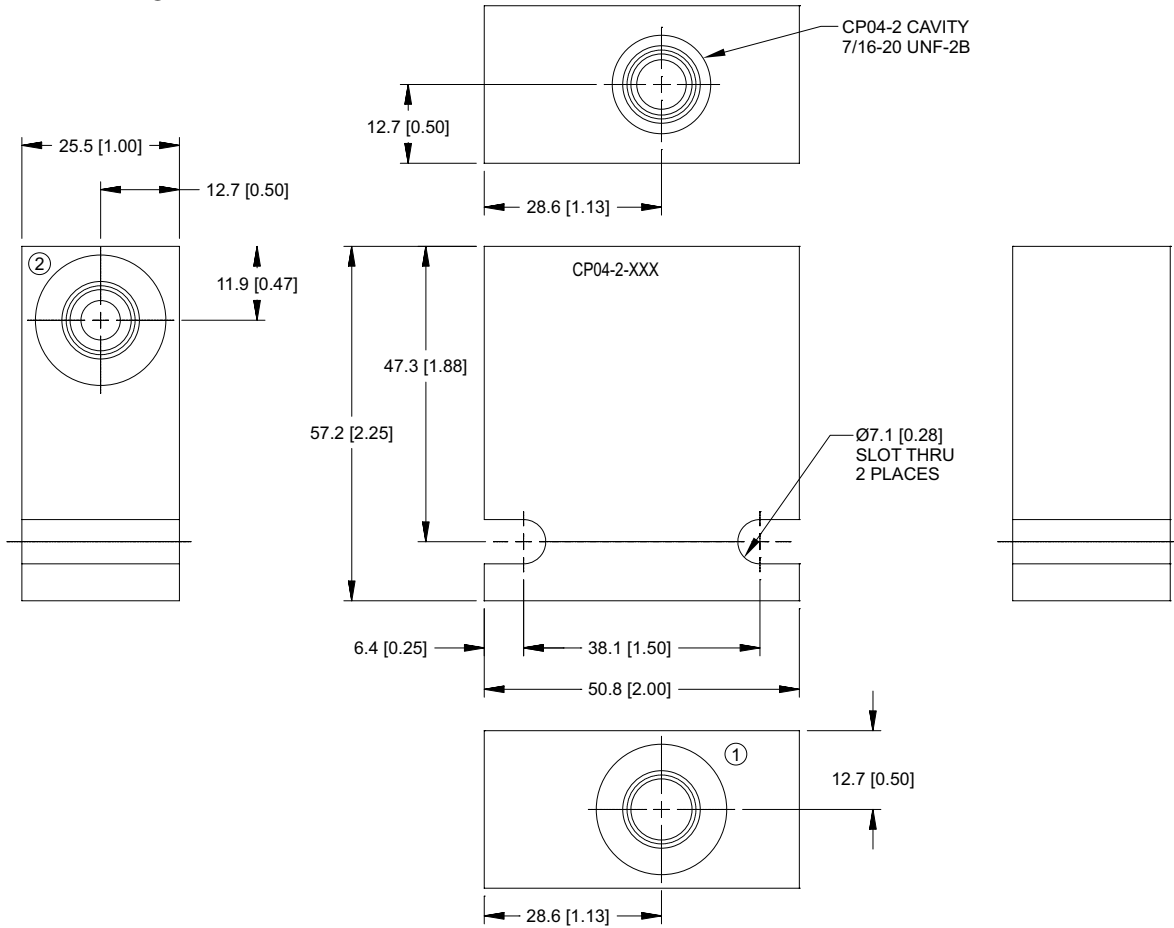
AVAILABLE HOUSINGS

Order code	Cavity	Ports	Page
SDC16-2-6B	SDC16-2	3/4 BSP	HS - 103
SDC16-2-8B	SDC16-2	1 BSP	HS - 105
SDC16-2-S6B	SDC16-2	3/4 BSP	HS - 104
SDC16-2-S8B	SDC16-2	1 BSP	HS - 106
SDC16-2-12S	SDC16-2	SAE #12	HS - 107
SDC16-2-16S	SDC16-2	SAE #16	HS - 107
SDC16-2-S12S	SDC16-2	SAE #12	HS - 107
SDC16-2-S16S	SDC16-2	SAE #16	HS - 107
CP16-2-12S	SDC16-2	SAE #12	HS - 108
CP16-2-16S	SDC16-2	SAE #16	HS - 108
CP16-2-S16S	SDC16-2	SAE #16	HS - 108
SDC16-2-HG1-8B	SDC16-2	1 BSP	HS - 109
SDC16-2-HG2-8B	SDC16-2	1 BSP	HS - 110
SDC16-3-HE-8B	SDC16-3	1 BSP	HS - 111
SDC16-3-HE-6B	SDC16-3	3/4 BSP	HS - 112
SDC16-3-HI-8B	SDC16-3	1 BSP	HS - 113
CP16-3-12S	SDC16-3	SAE #12	HS - 114
CP16-3-16S	SDC16-3	SAE #16	HS - 114
CP16-3S-6B/2B	SDC16-3S	3/4 BSP, 1/4 BSP	HS - 115
CP16-3S-12S/4S	SDC16-3S	SAE #12, #4	HS - 115
CP16-3S-8B/2B	SDC16-3S	1 BSP, 1/4 BSP	HS - 115
CP16-3S-16S/4S	SDC16-3S	SAE #16, #4	HS - 115
SDC20-2-8B	SDC20-2	1 BSP	HS - 116
SDC20-2-S8B	SDC20-2	1 BSP	HS - 117
SDC20-2-10B	SDC20-2	1 1/4 BSP	HS - 118
SDC20-2-S10B	SDC20-2	1 1/4 BSP	HS - 119
SDC20-2-16S	SDC20-2	SAE #16	HS - 120
SDC20-2-20S	SDC20-2	SAE #20	HS - 120
SDC20-2-S16S	SDC20-2	SAE #16	HS - 120
SDC20-2-S20S	SDC20-2	SAE #20	HS - 120
CP20-2-10B	SDC20-2	1 1/4 BSP	HS - 121
CP20-2-16S	SDC20-2	SAE #16	HS - 121
CP20-2-20S	SDC20-2	SAE #20	HS - 121
CP20-2-8B	SDC20-2	1 BSP	HS - 121
CP20-3-20S	SDC20-3	SAE #20	HS - 122
CP20-3-8B/2B1	SDC20-3	1 BSP, 1/4 BSP	HS - 122
CP20-3-20S/4S1	SDC20-3	SAE #20, #4	HS - 122
CP20-3-16S/4S1	SDC20-3	SAE #16, #4	HS - 122
CP20-3-16S	SDC20-3	SAE #16	HS - 122
CP20-3-10B/2B1	SDC20-3	1 1/4 BSP, 1/4 BSP	HS - 122
CP20-3-10B	SDC20-3	1 1/4 BSP	HS - 122
CP20-3-8B	SDC20-3	1 BSP	HS - 122
CP20-4-20S	SDC20-4	SAE #20	HS - 123
CP20-4-S16S-X1	SDC20-4	SAE #16	HS - 123
CP20-4-8B-X1	SDC20-4	1 BSP	HS - 123
CP20-4-8B	SDC20-4	1 BSP	HS - 123
CP20-4-16S-X1	SDC20-4	SAE #16	HS - 123
CP20-4-20S/4S	SDC20-4	SAE #20, #4	HS - 123
CP20-4-10B	SDC20-4	1 1/4 BSP	HS - 123
CP20-4-20S-X1	SDC20-4	SAE #20	HS - 123
CP20-4-10B-X1	SDC20-4	1 1/4 BSP	HS - 123
CP20-4-16S	SDC20-4	SAE #16	HS - 123
CP20-4-16S/4S	SDC20-4	SAE #16, #4	HS - 123
CP20-4-S16S	SDC20-4	SAE #16	HS - 123
VME 06-LG-3B	VME06	3/8 BSP	HS - 124

AVAILABLE HOUSINGS

Order code	Cavity	Ports	Page
VME 06-LG-6S	VME06	SAE #6	HS - 124
VME 06-DG-3B	VME06	3/8 BSP	HS - 125
VME 06-DG-6S	VME06	SAE #6	HS - 125
VME 07-DG-4B	VME07	1/2 BSP	HS - 126
VME 07-DG-8S	VME07	SAE #8	HS - 126
VME 07-LG-4B	VME07	1/2 BSP	HS - 127
VME 07-LG-8S	VME07	SAE #8	HS - 127
VME 08-LG-6B	VME08	3/4 BSP	HS - 128
VME 08-LG-12S	VME08	SAE #12	HS - 128
VME 08-DG-6B	VME08	3/4 BSP	HS - 129
VME 08-DG-12S	VME08	SAE #12	HS - 129
DCP08-2	SDC08-2	SAE & BSP	HS - 130
DCP10-2	SDC010-2	SAE & BSP	HS - 130
DCP12-2	CP12-2	SAE & BSP	HS - 130
DCP16-2	SDC16-2	SAE & BSP	HS - 130
DPL08-2	SDC08-2	SAE & BSP	HS - 131
DPL10-2	SDC10-2	SAE & BSP	HS - 131
DPL12-2	CP12-2	SAE & BSP	HS - 131
DPL16-2	SDC16-2	SAE & BSP	HS - 131

Dimensional drawings

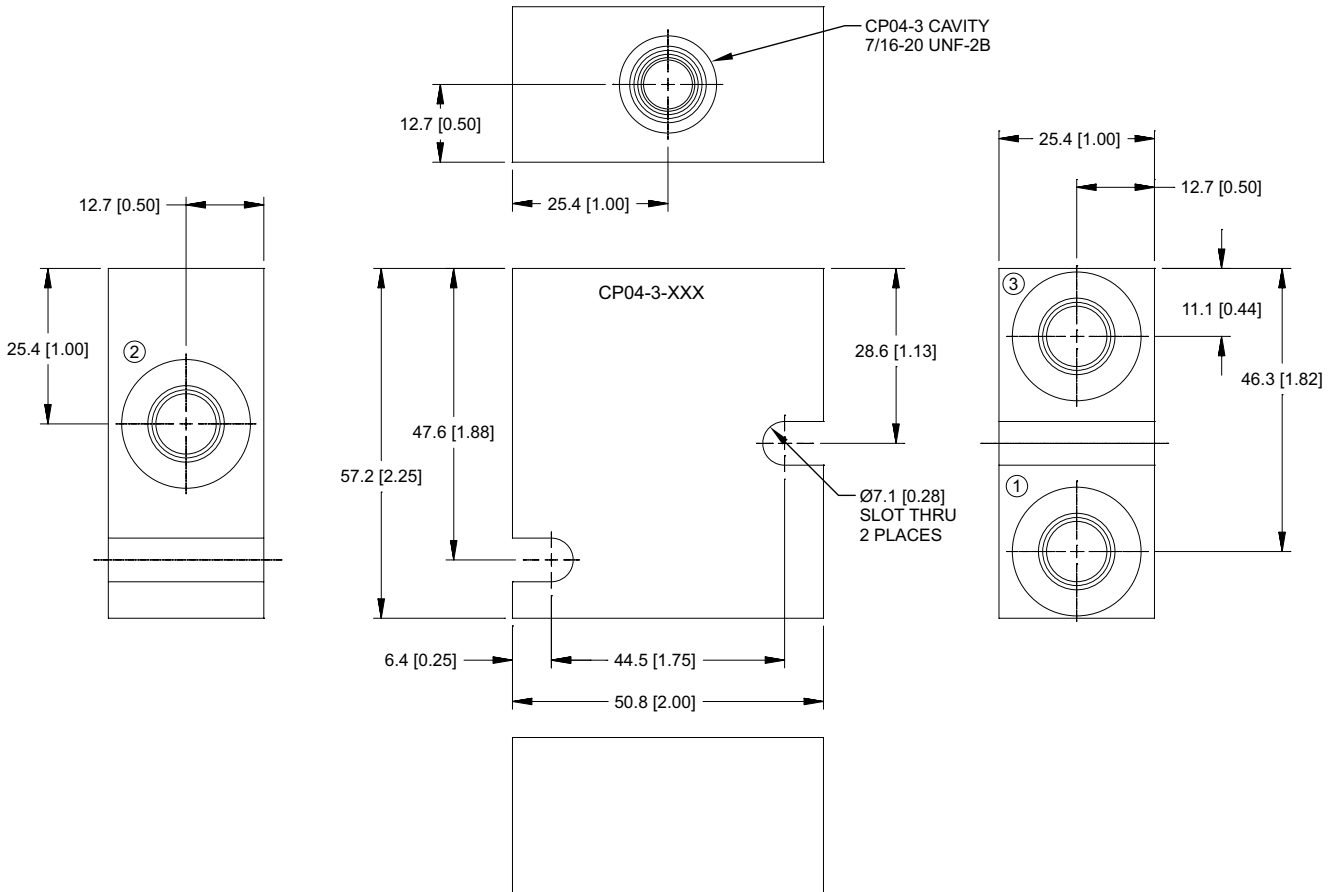


Housings
 CP04-2 (Standard)

Options

Order Code	Description	Style	Ports
CP04-2-2B	Aluminum Housing	Standard	1/4 BSP
CP04-2-4S	Aluminum Housing	Standard	SAE #4

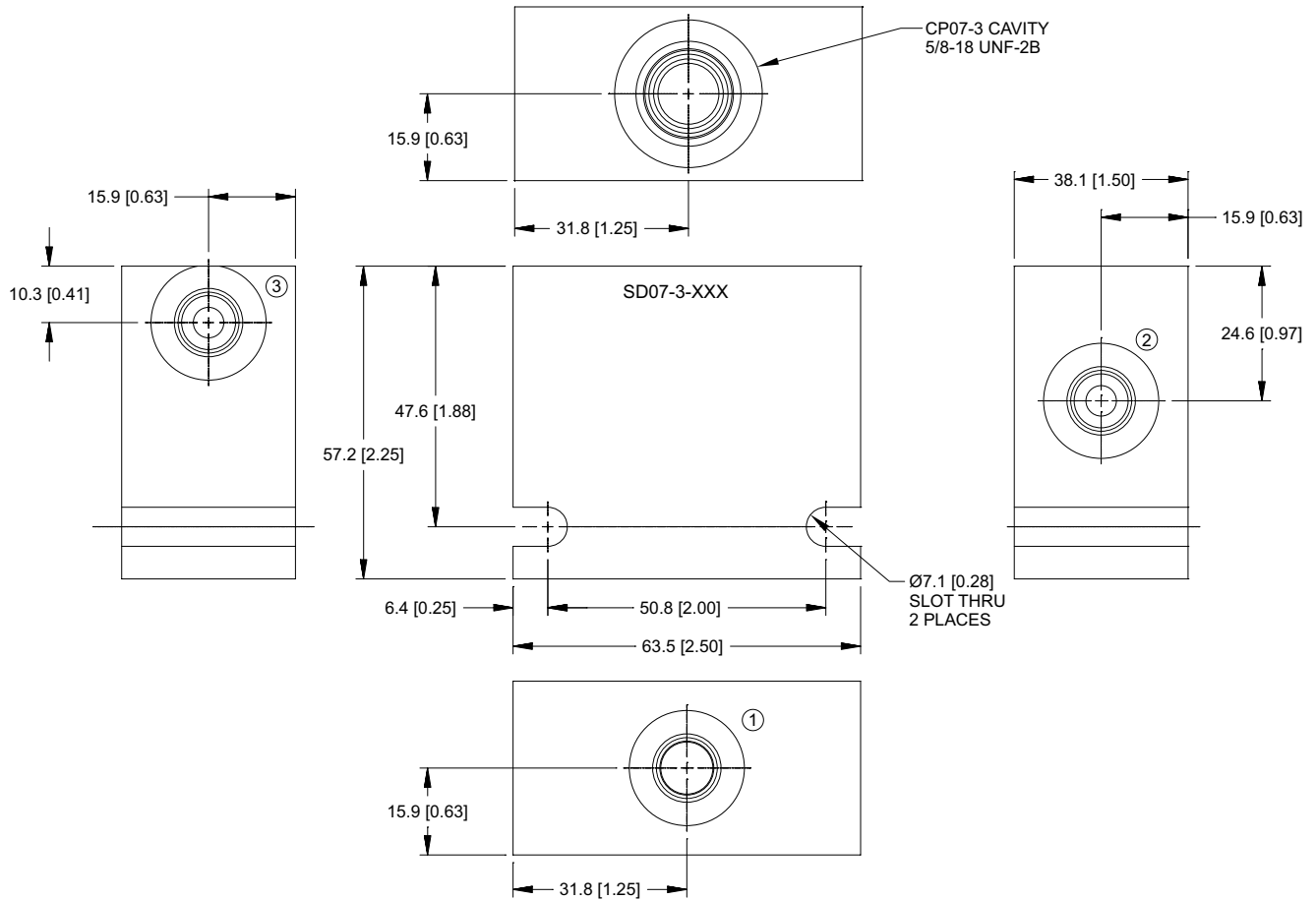
Dimensional drawings



Options

Order Code	Description	Style	Ports
CP04-3-2B	Aluminum Housing	Standard	1/4 BSP
CP04-3-4S	Aluminum Housing	Standard	SAE #4

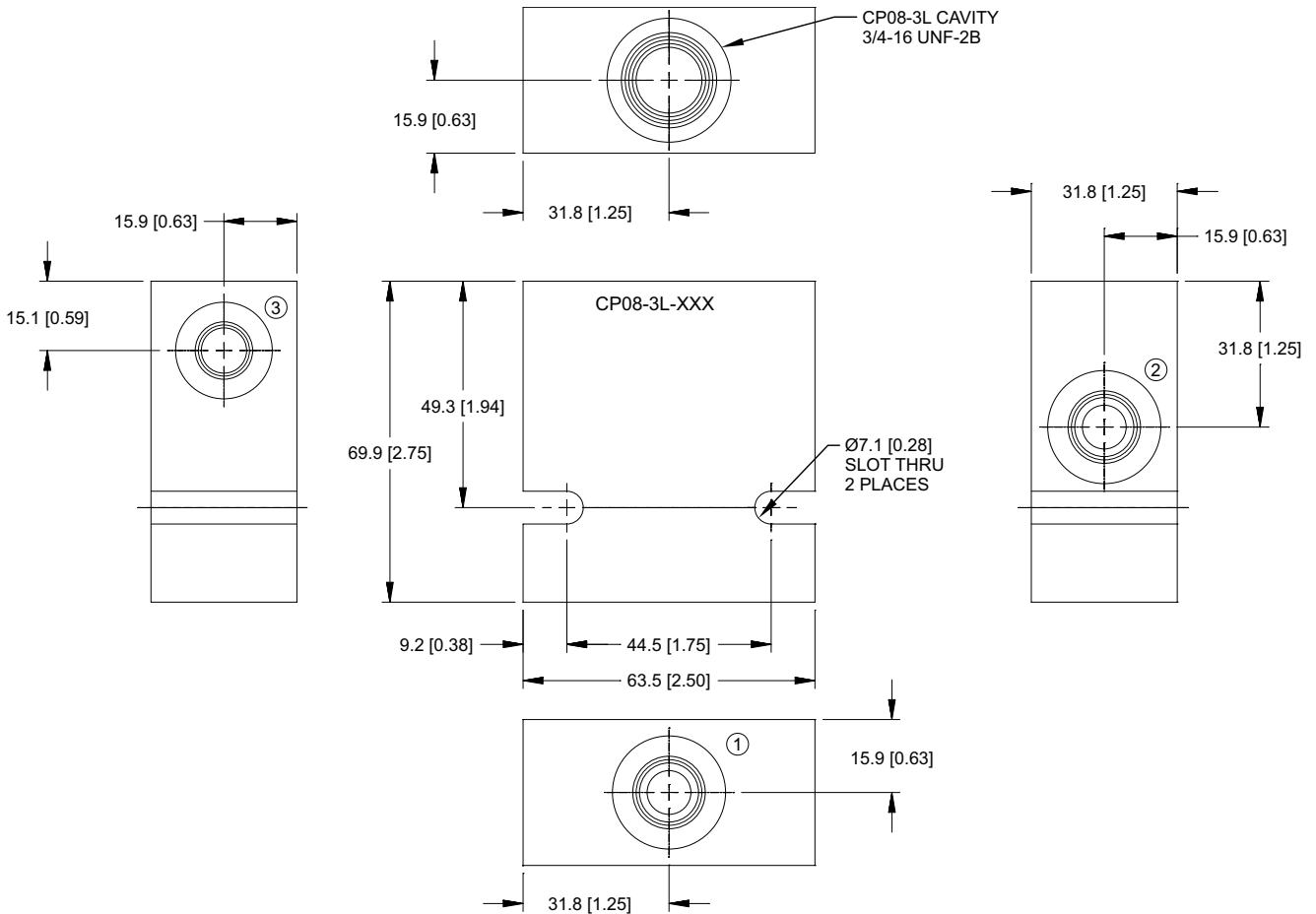
Dimensional drawings



Options

Order Code	Description	Style	Ports
CP07-3-4S	Aluminum Housing	Standard	SAE #4

Dimensional drawings

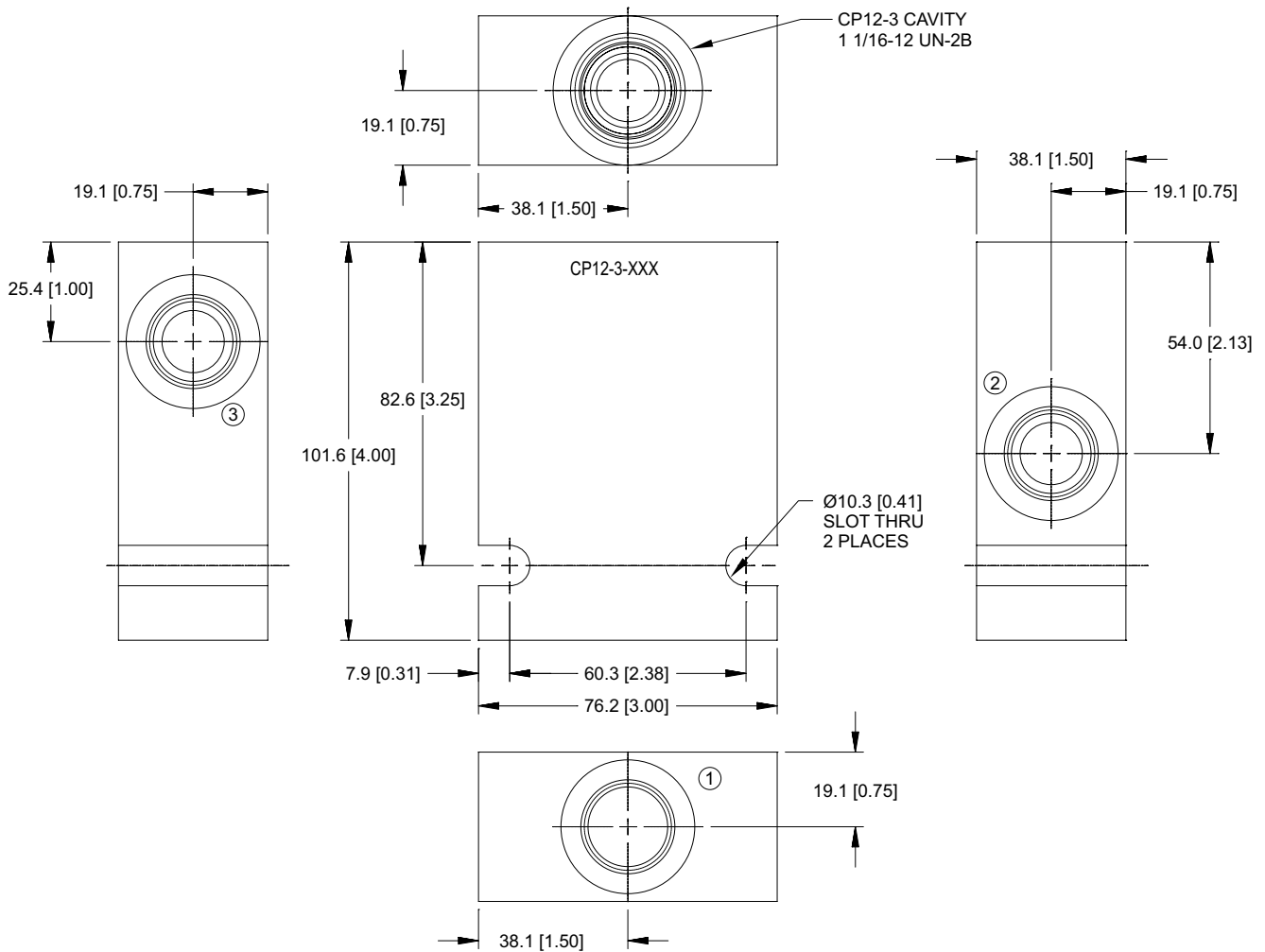


Housings
 CP08-3L (Standard)

Options

Order Code	Description	Style	Ports
CP08-3L-2B	Aluminum Housing	Standard	1/4 BSP
CP08-3L-3B	Aluminum Housing	Standard	3/8 BSP
CP08-3L-4S	Aluminum Housing	Standard	SAE #4
CP08-3L-6S	Aluminum Housing	Standard	SAE #6

Dimensional drawings

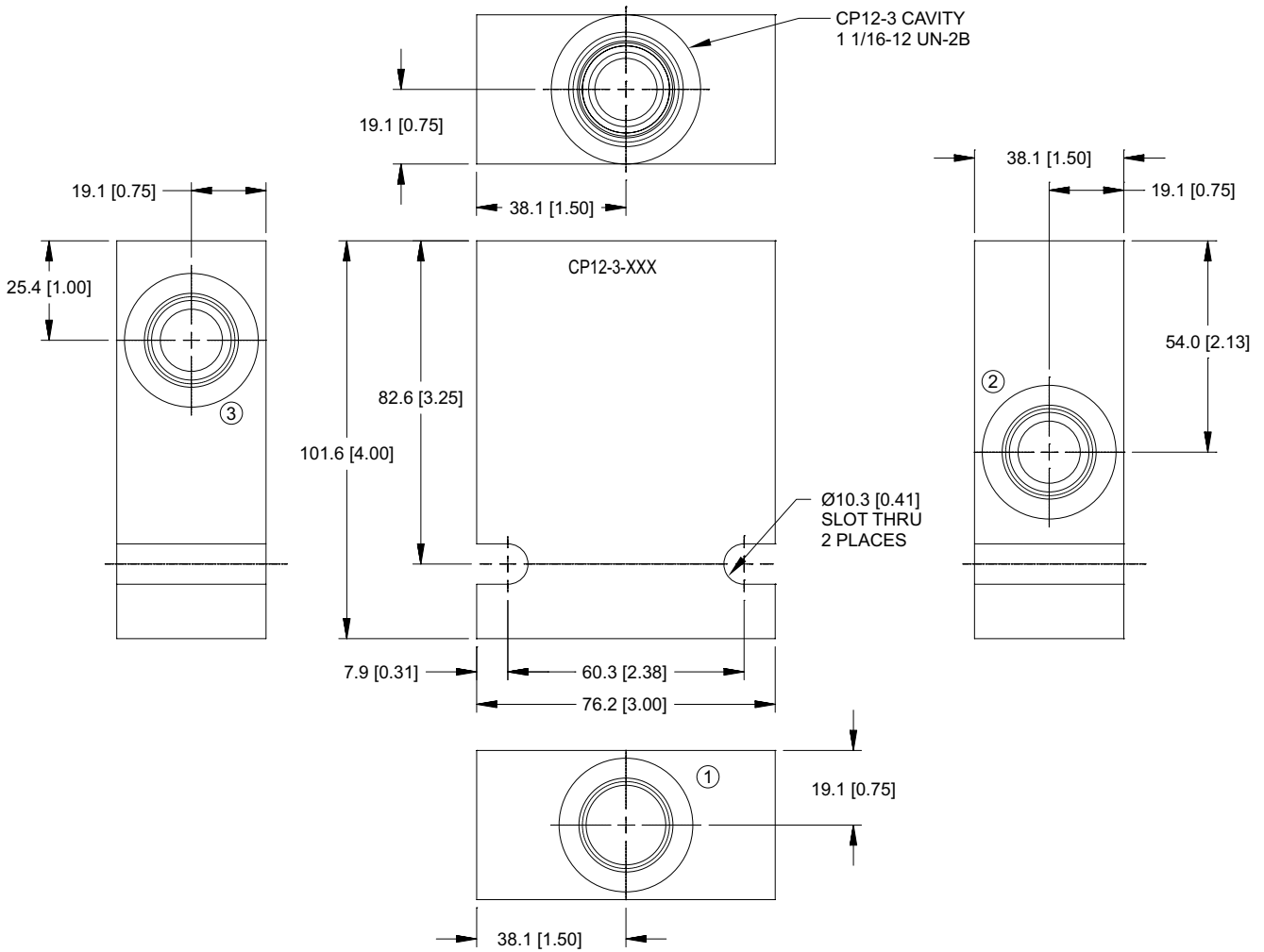


Housings
CP12-3 (Standard)

Options

Order Code	Description	Style	Ports
CP12-3-10S	Aluminum Housing	Standard	SAE #10
CP12-3-12S	Aluminum Housing	Standard	SAE #12
CP12-3-4B	Aluminum Housing	Standard	1/2 BSP
CP12-3-6B	Aluminum Housing	Standard	3/4 BSP
CP12-3-S10S	Steel Housing	Standard	SAE #10
CP12-3-S12S	Steel Housing	Standard	SAE #12

Dimensional drawings

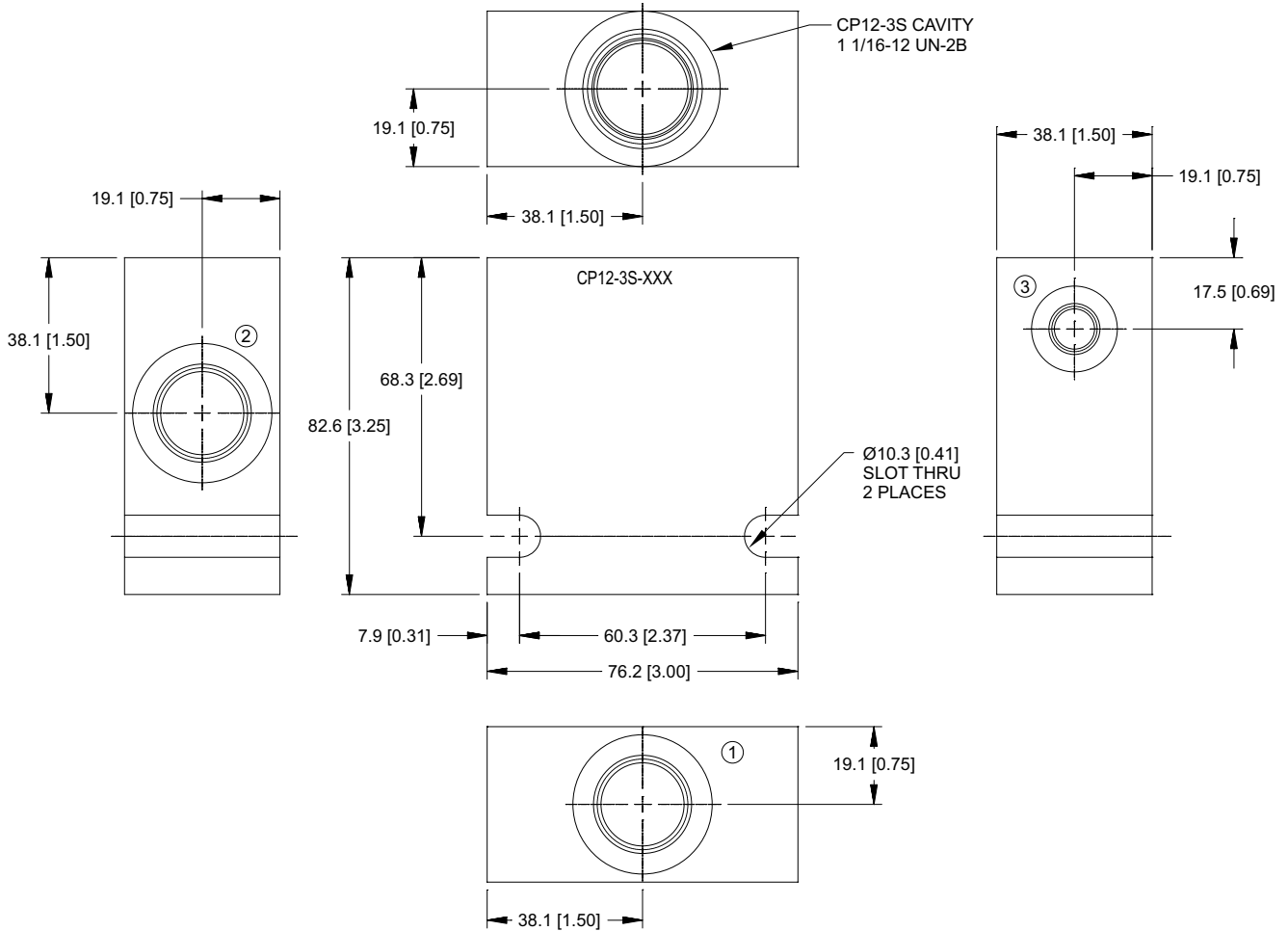


Housings
 CP12-3M (Standard)

Options

Order Code	Description	Style	Ports
CP12-3M-10S	Aluminum Housing	Standard	SAE #10
CP12-3M-12S	Aluminum Housing	Standard	SAE #12
CP12-3M-6B	Aluminum Housing	Standard	3/4 BSP

Dimensional drawings

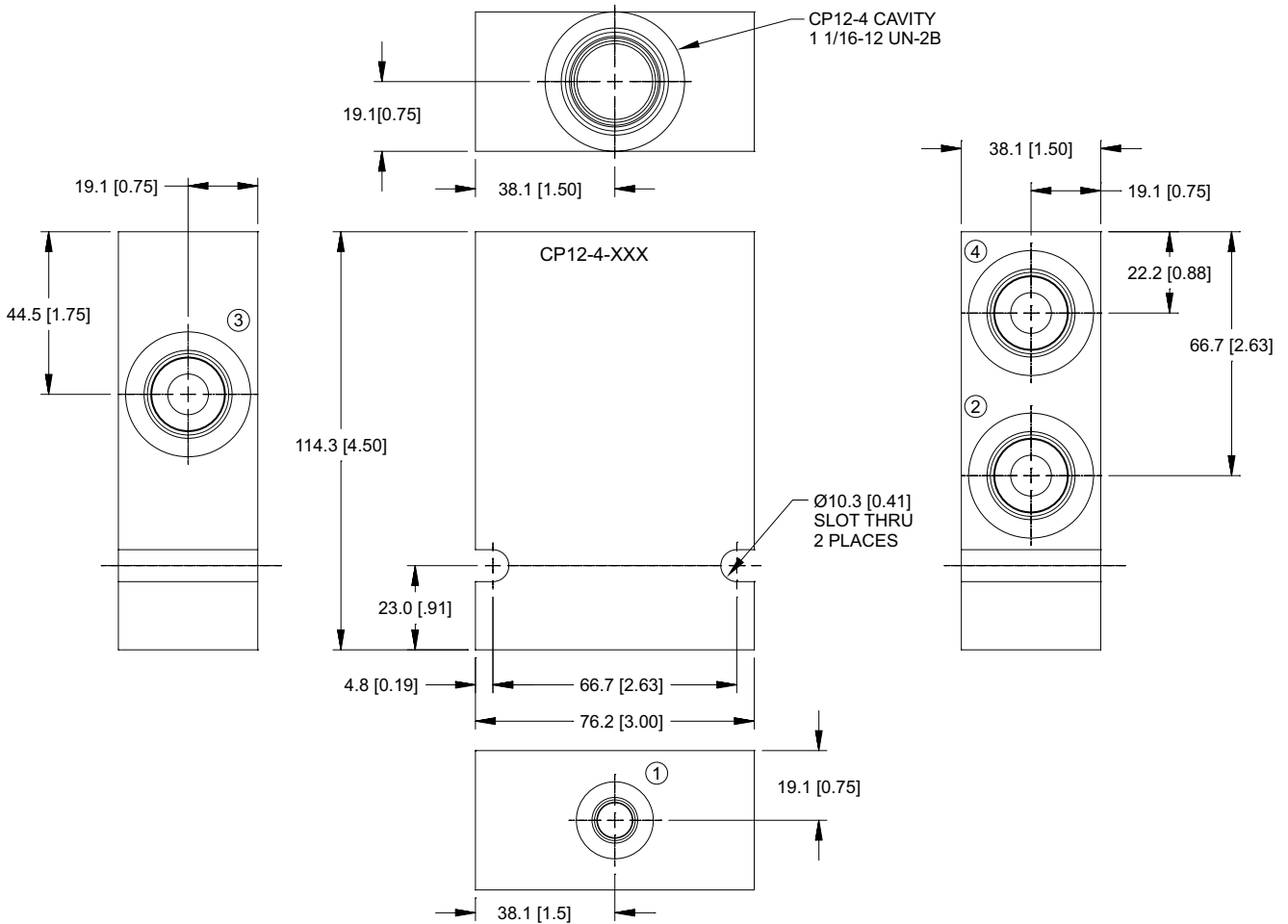


Housings
 CP12-3S (Standard)

Options

Order Code	Description	Style	Ports
CP12-3S-10S/4S	Aluminum Housing, Pilot at Port #3	Standard	SAE #10, #4
CP12-3S-12S/4S	Aluminum Housing, Pilot at Port #3	Standard	SAE #12, #4
CP12-3S-4B/2B	Aluminum Housing, Pilot at Port #3	Standard	1/2 BSP, 1/4 BSP
CP12-3S-6B/2B	Aluminum Housing, Pilot at Port #3	Standard	3/4 BSP, 1/4 BSP

Dimensional drawings



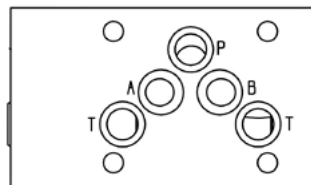
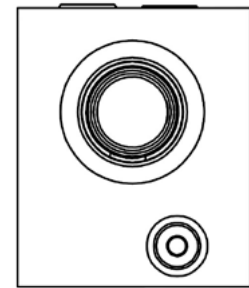
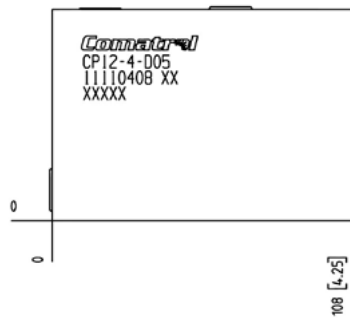
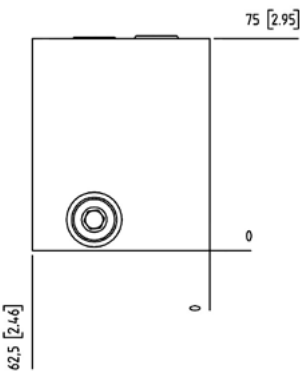
Options

Order Code	Description	Style	Ports
CP12-4-10S	Aluminum Housing	Standard	SAE #10
CP12-4-10S/4S	Aluminum Housing, Pilot at Port #1	Standard	SAE #10, #4
CP12-4-10S-X1	Aluminum Housing, No Port #1	Omit port 1	SAE #10
CP12-4-3B	Aluminum Housing	Standard	3/8 BSP
CP12-4-3B-X1	Aluminum Housing, No Port #1	Omit port 1	3/8 BSP
CP12-4-4B	Aluminum Housing	Standard	1/2 BSP
CP12-4-4B-X1	Aluminum Housing, No Port #1	Omit port 1	1/2 BSP
CP12-4-8S	Aluminum Housing	Standard	SAE #8
CP12-4-8S/4S	Aluminum Housing, Pilot at Port #1	Standard	SAE #10, #4
CP12-4-8S-X1	Aluminum Housing, No Port #1	Omit port 1	SAE #8

Housing Dimensional drawings with BSP are slightly different. Consult factory.

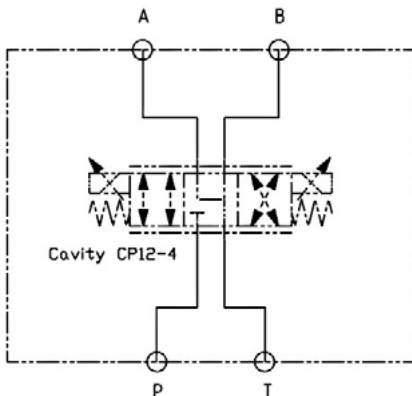
D05 ADAPTER BLOCK - NON-COMPENSATED - CP12-4-D05 - 11110408

These blocks are designed to be installed onto a CETOP D05 interface for comparison testing. Valves and Mounting Kits are not included and will need to be ordered and assembled by the user. This block was designed to fit the following valve: PSV12-34.



CETOP D05 Interface

Schematic (valves not included in block):



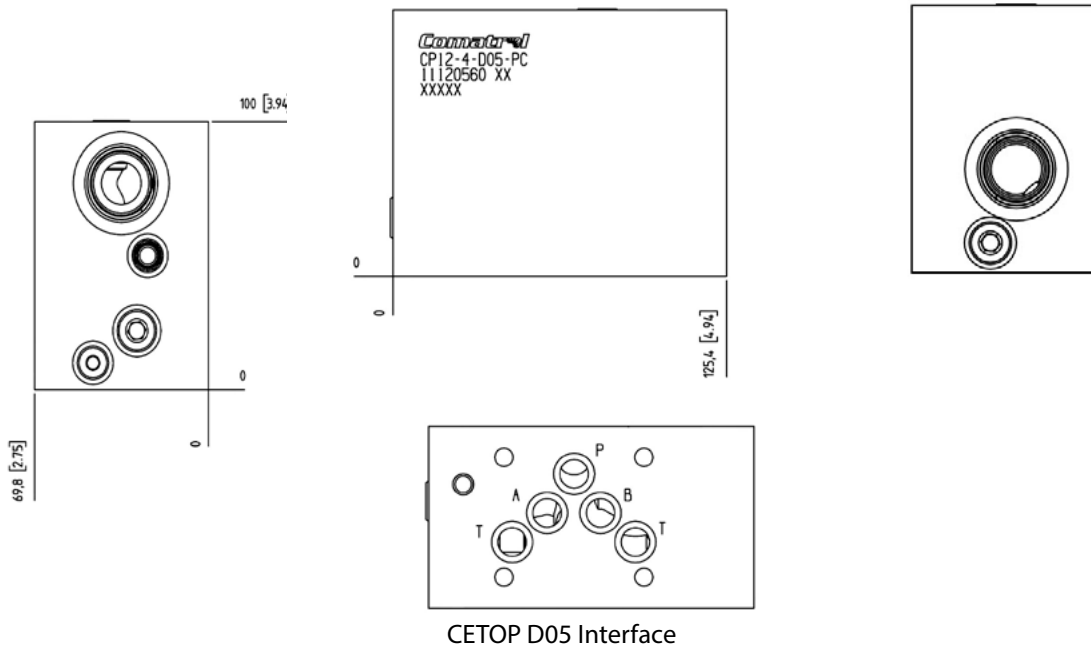
Mounting Kits

Description	Kit Material Number
Buna-N Seal Kit	158-8023
Viton Seal Kit	158-8094
M6 x 40mm Bolts (4)	158-8024
1/4 - 20 x 1-5/8" Bolts (4)	11120605

Recommended Torque = 13.5 Nm (120 lbf-in)

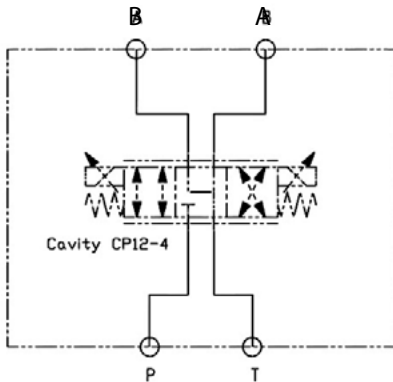
D05 ADAPTER BLOCK - COMPENSATED - CP12-4-D05-PC - 11120560

These blocks are designed to be installed onto a CETOP D05 interface for comparison testing. Valves are not included and will need to be ordered and assembled by the user. This block was designed to fit the following valves: PSV12-34, CP701-4 and CP124-1.



Housings
 CP12-4-D05-PC (For PSV12-34)

Schematic (valves not included in block):

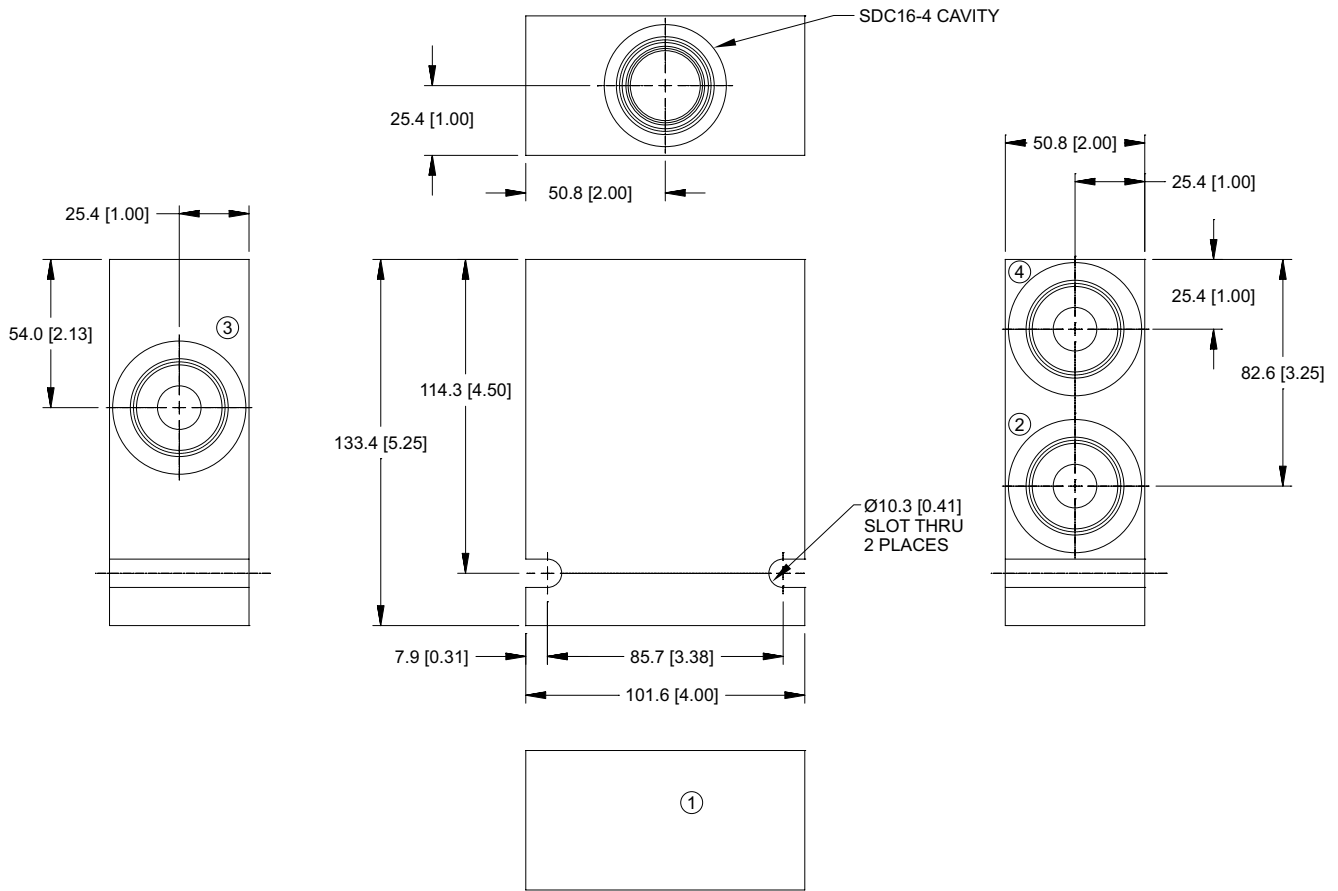


Mounting Kits

Description	Kit Material Number
Buna-N Seal Kit	158-8023
Viton Seal Kit	158-8094
M6 x 60mm Bolts (4)	11120602
1/4 - 20 x 2-1/2 Bolts (4)	11120603

Recommended Torque = 13.5 Nm (120 lbf·in)

Dimensional drawings

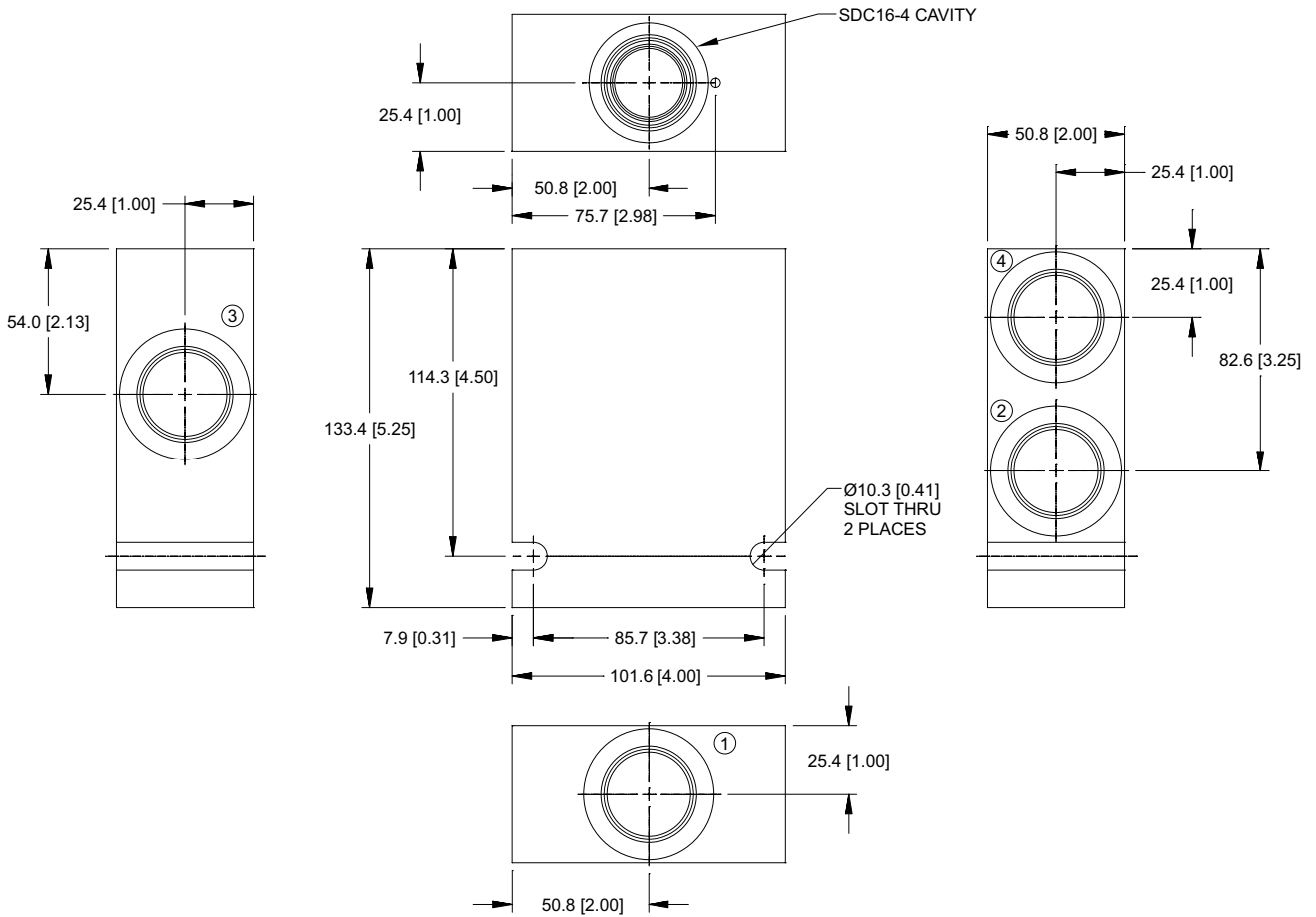


Housings
 CP16-4 (Omit Port 1)

Options

Order Code	Description	Style	Ports
CP16-4-12S-X1	Aluminum Housing, No Port #1	Omit port 1	SAE #12
CP16-4-16S-X1	Aluminum Housing, No Port #1	Omit port 1	SAE #16

Dimensional drawings

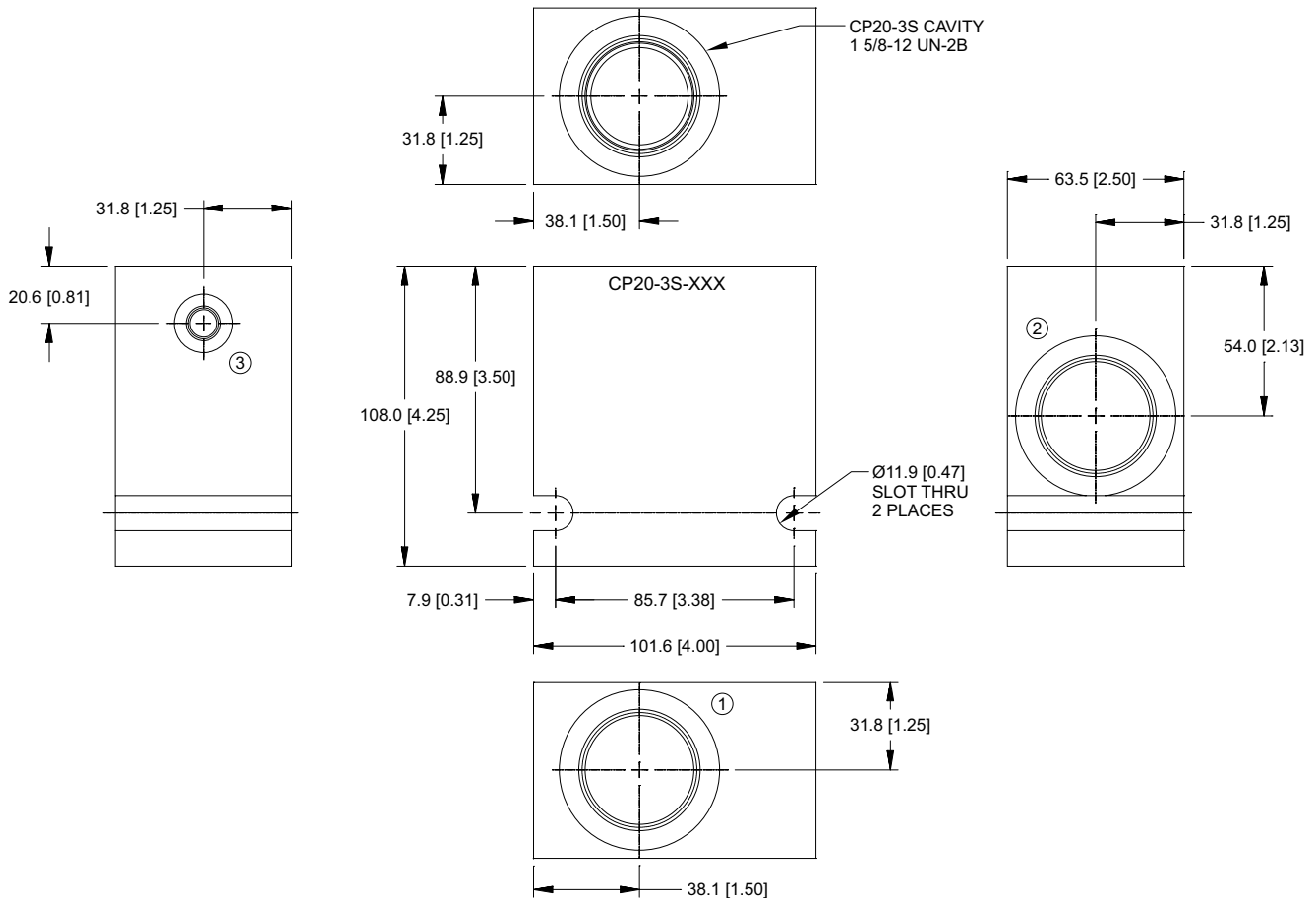


Housings
 CP16-4 (Standard)

Options

Order Code	Description	Style	Ports
CP16-4-12S	Aluminum Housing	Standard	SAE #12
CP16-4-16S	Aluminum Housing	Standard	SAE #16
CP16-4-6B	Aluminum Housing	Standard	3/4 BSP
CP16-4-8B	Aluminum Housing	Standard	1 BSP

Dimensional drawings

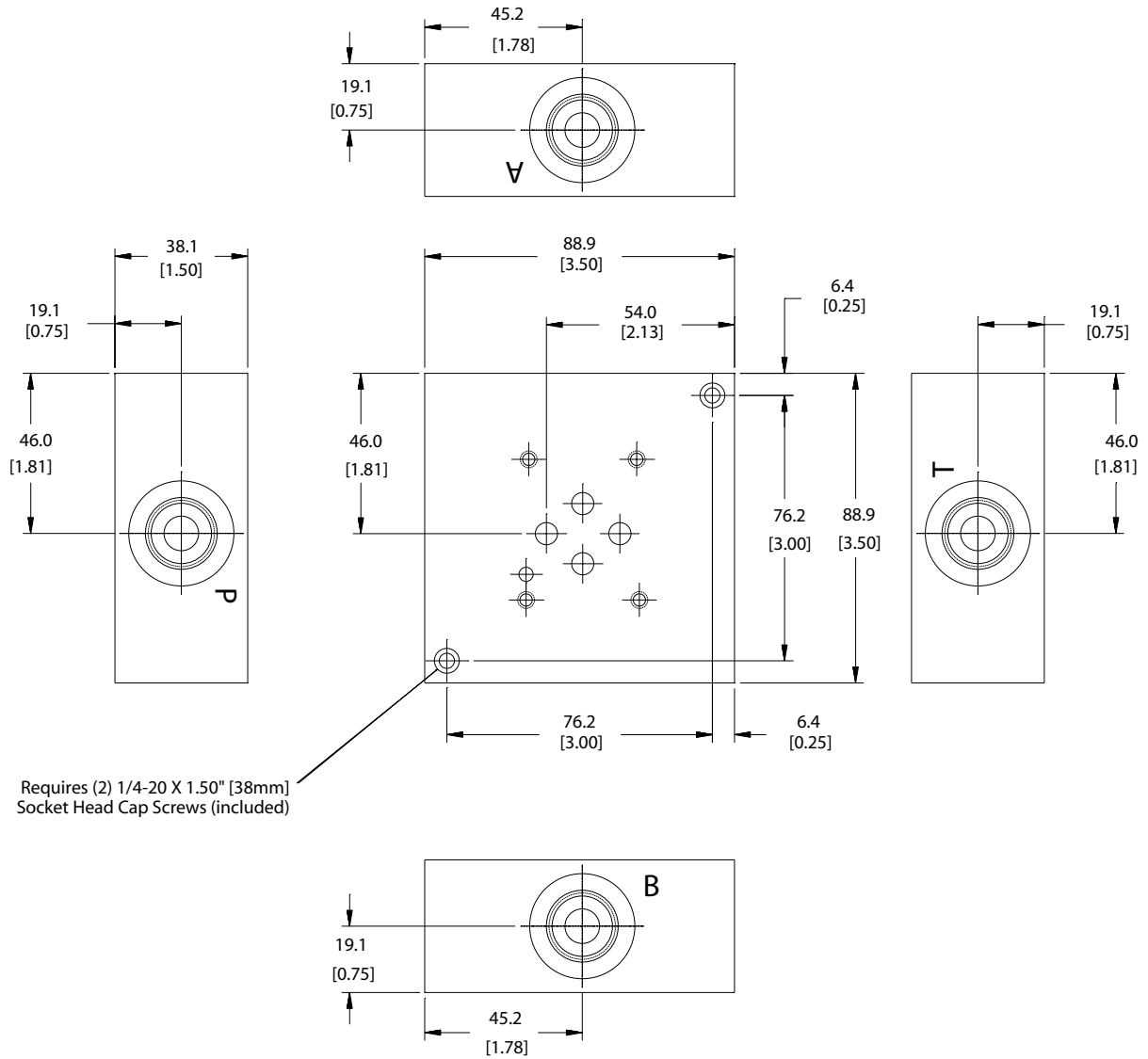


Housings
 CP20-3S (Standard)

Options

Order Code	Description	Style	Ports
CP20-3S-10B/2B	Aluminum Housing, Pilot at Port #3	Standard	1 1/4 BSP, 1/4 BSP
CP20-3S-16S/4S	Aluminum Housing, Pilot at Port #3	Standard	SAE #16, #4
CP20-3S-20S/4S	Aluminum Housing, Pilot at Port #3	Standard	SAE #20, #4
CP20-3S-8B/2B	Aluminum Housing, Pilot at Port #3	Standard	1 BSP, 1/4 BSP

Dimensional drawings

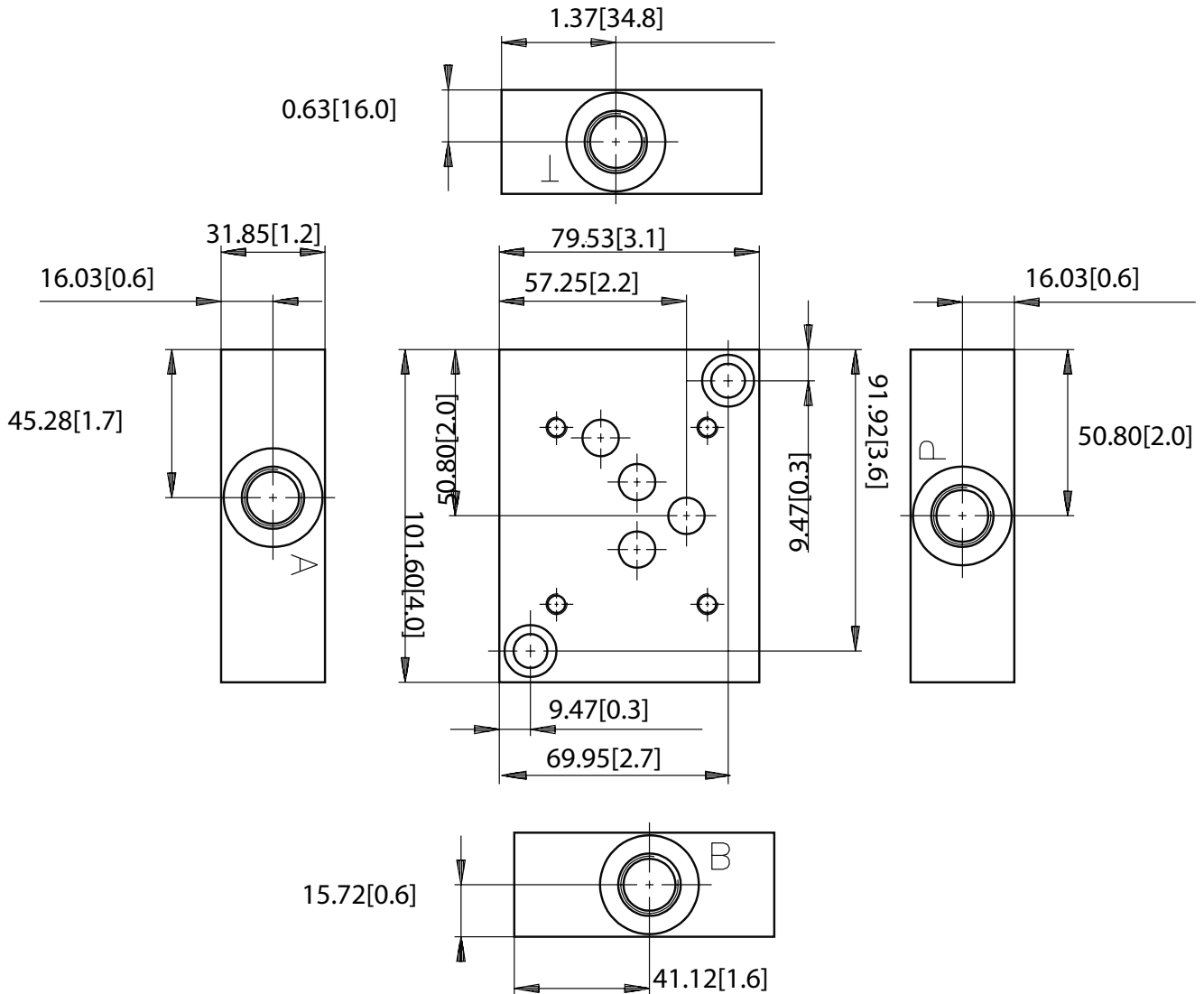


Housings
 ISO D03 (AL)

Options

Order Code	Description	Style	Ports
UDPS-06-AL	ISO D03 Subplate, Aluminum	AL	#8 SAE

Dimensional drawings

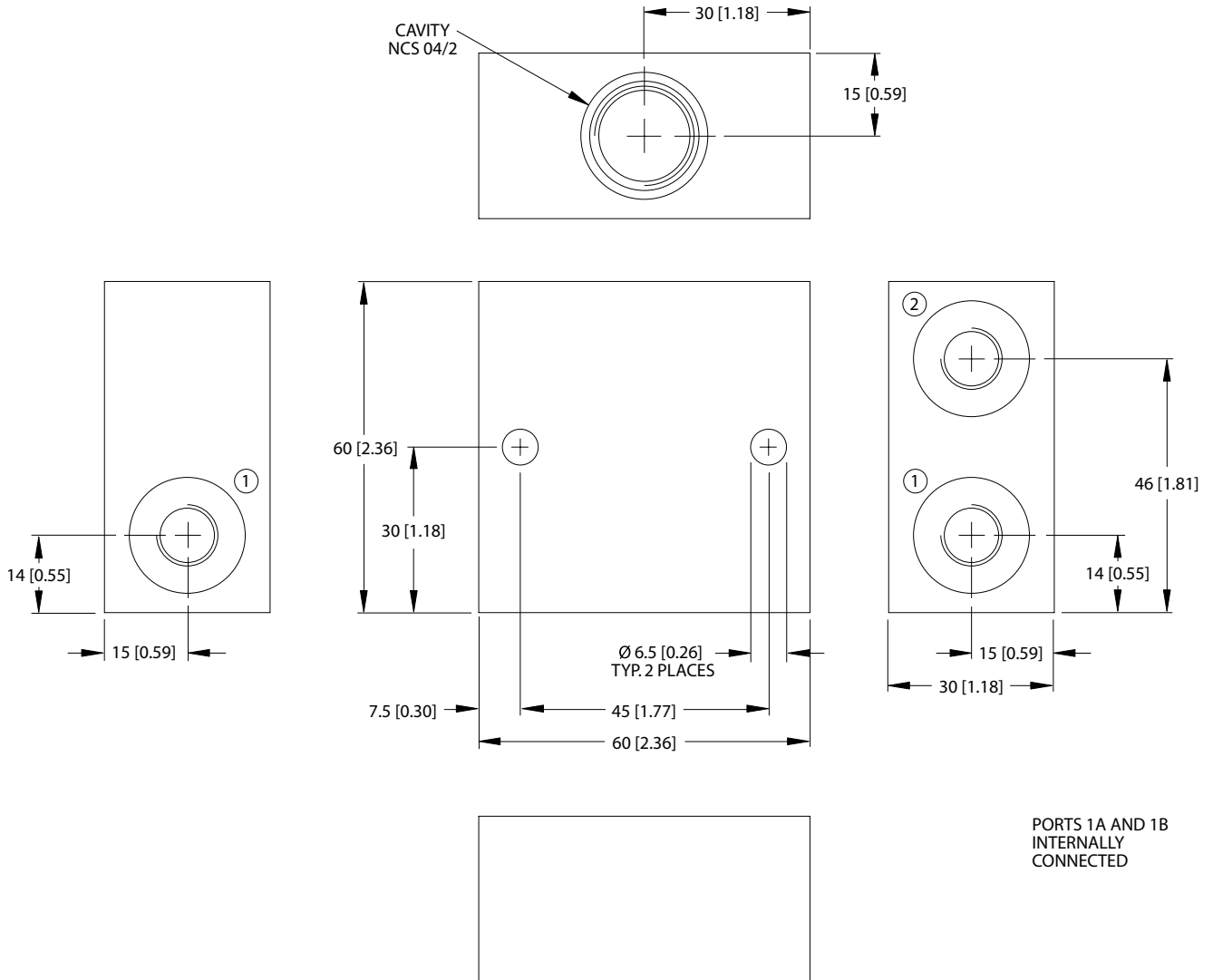


Housings
 ISO D05 (AL)

Options

Order Code	Description	Style	Ports
UDPS-10-AL	ISO D05 Subplate, Aluminum	AL	#8 SAE

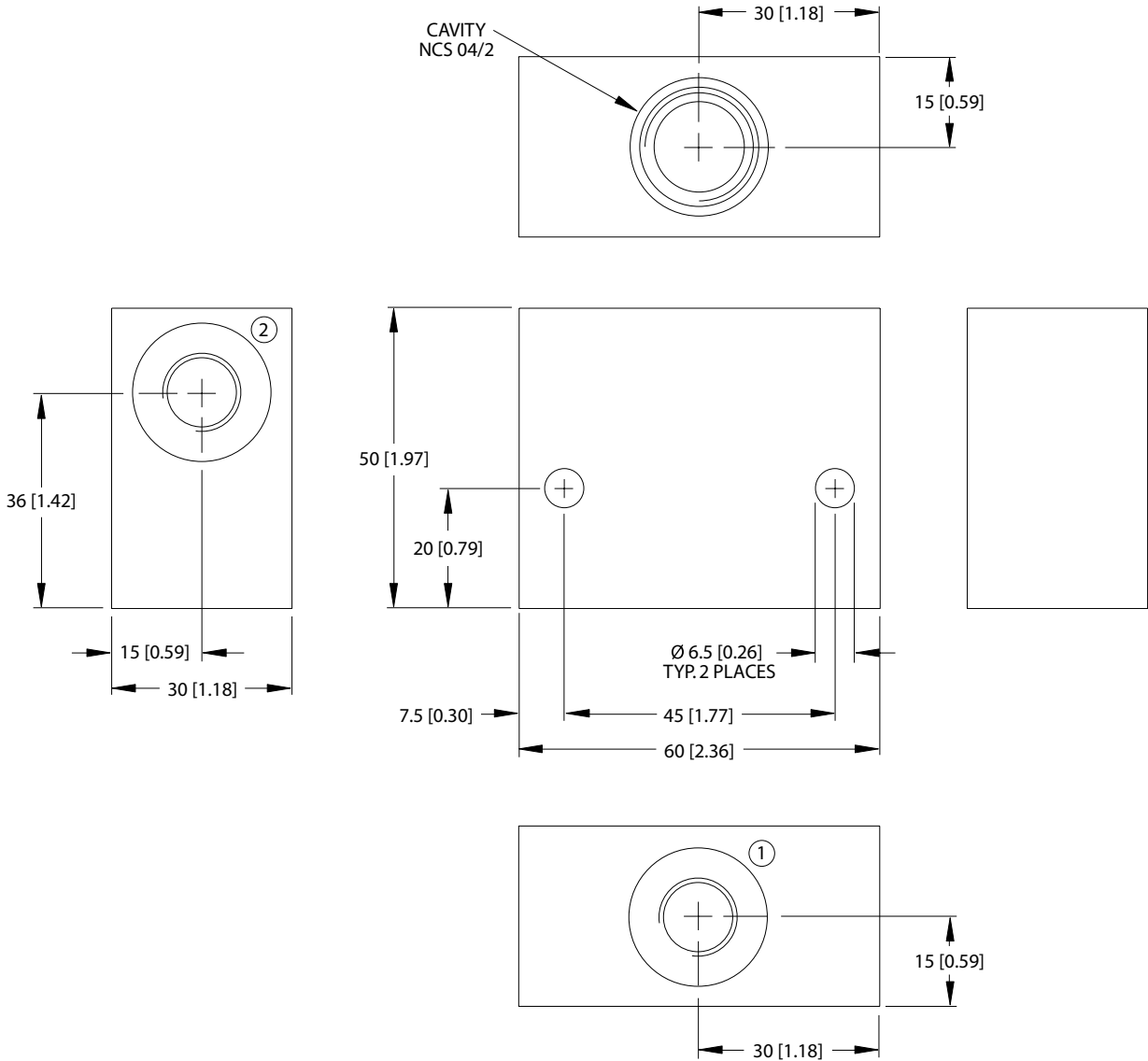
Dimensional drawings



Options

Order Code	Description	Style	Ports
NCS04/2-LG2-1/4	Aluminum Housing, Two #1 Ports	LG2	1/4 BSP
NCS04/2-LG2-4S	Aluminum Housing, Two #1 Ports	LG2	SAE #4
NCS04/2-LG2-6S	Aluminum Housing, Two #1 Ports	LG2	SAE #6

Dimensional drawings

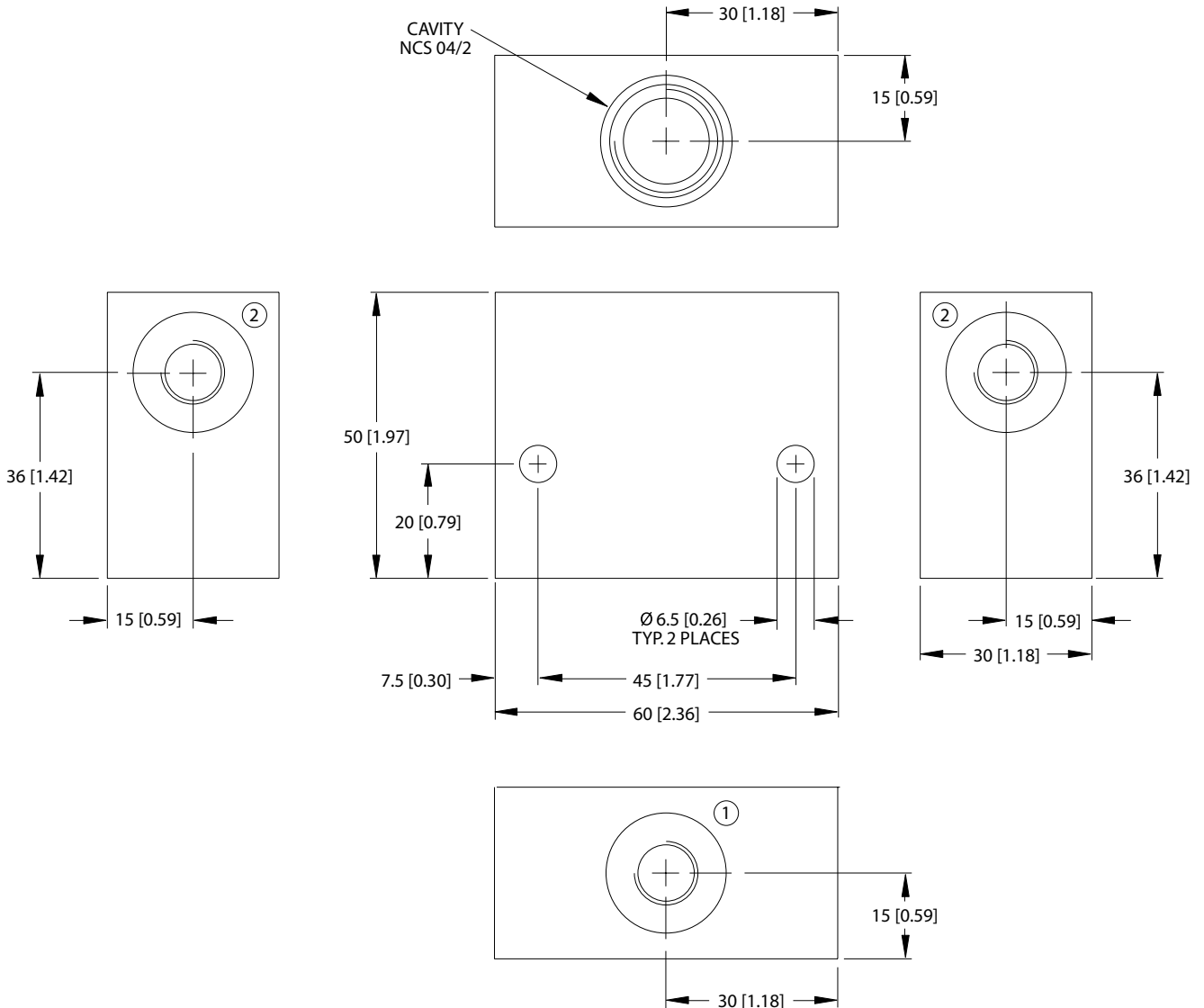


Housings
 NCS04/2 (DG)

Options

Order Code	Description	Style	Ports
NCS04/2-DG-1/4	Aluminum Housing	DG	1/4 BSP
NCS04/2-DG-4S	Aluminum Housing	DG	SAE #4
NCS04/2-DG-6S	Aluminum Housing	DG	SAE #6

Dimensional drawings

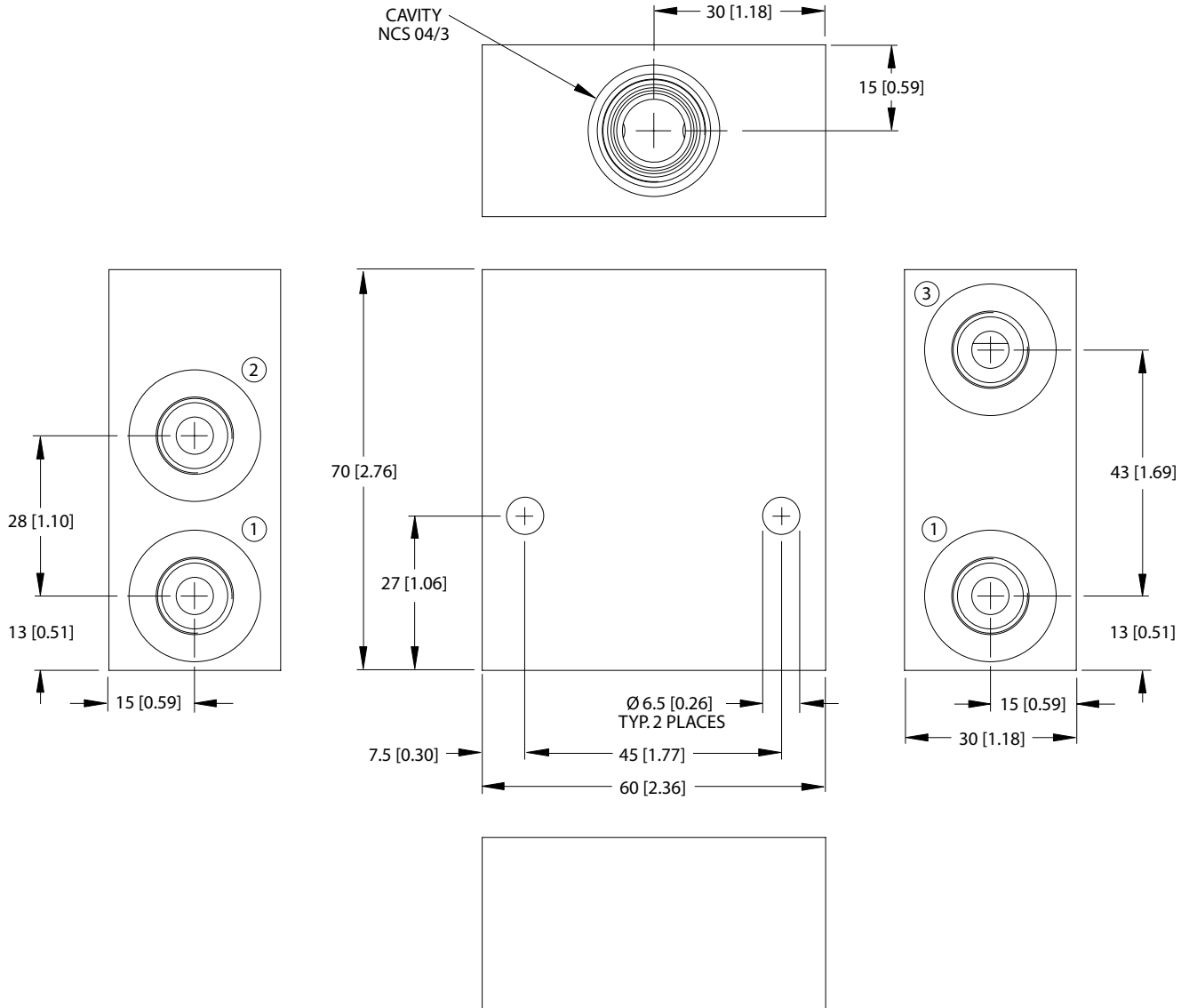


Housings
 NCS04/2 (LG1)

Options

Order Code	Description	Style	Ports
NCS04/2-LG1-1/4	Aluminum Housing, Two #2 Ports	LG1	1/4 BSP
NCS04/2-LG1-4S	Aluminum Housing, Two #2 Ports	LG1	SAE #4
NCS04/2-LG1-6S	Aluminum Housing, Two #2 Ports	LG1	SAE #6

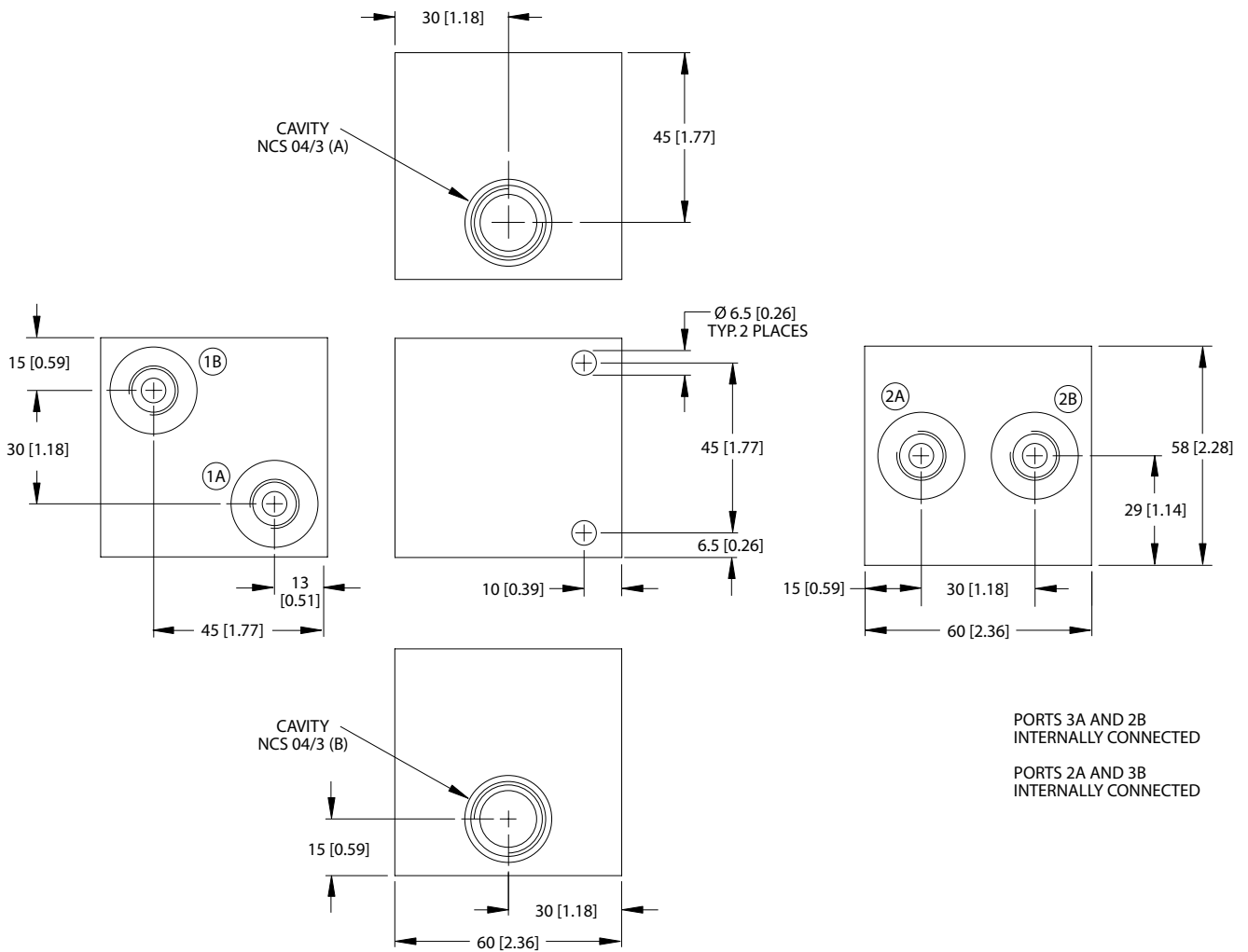
Dimensional drawings



Options

Order Code	Description	Style	Ports
NCS04/3-SI-1/4	Aluminum Housing, Two #1 Ports	SI	1/4 BSP

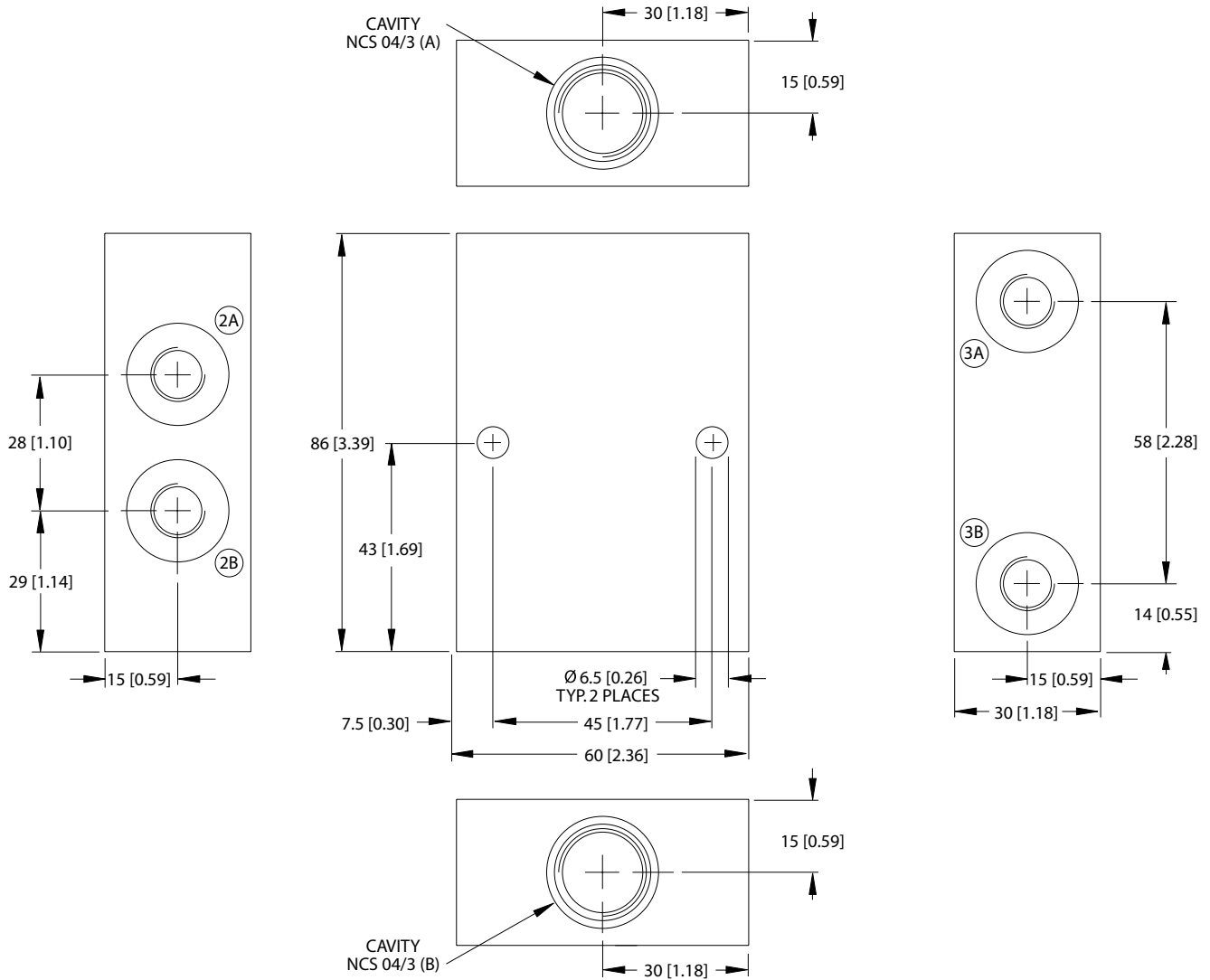
Dimensional drawings



Options

Order Code	Description	Style	Ports
NCS04/3-DI-1/4	Alum. Hsg., 2 Cavities w/#3 Ports Conn.	DI	1/4 BSP
NCS04/3-DI-3/8	Alum. Hsg., 2 Cavities w/#3 Ports Conn.	DI	3/8 BSP

Dimensional drawings

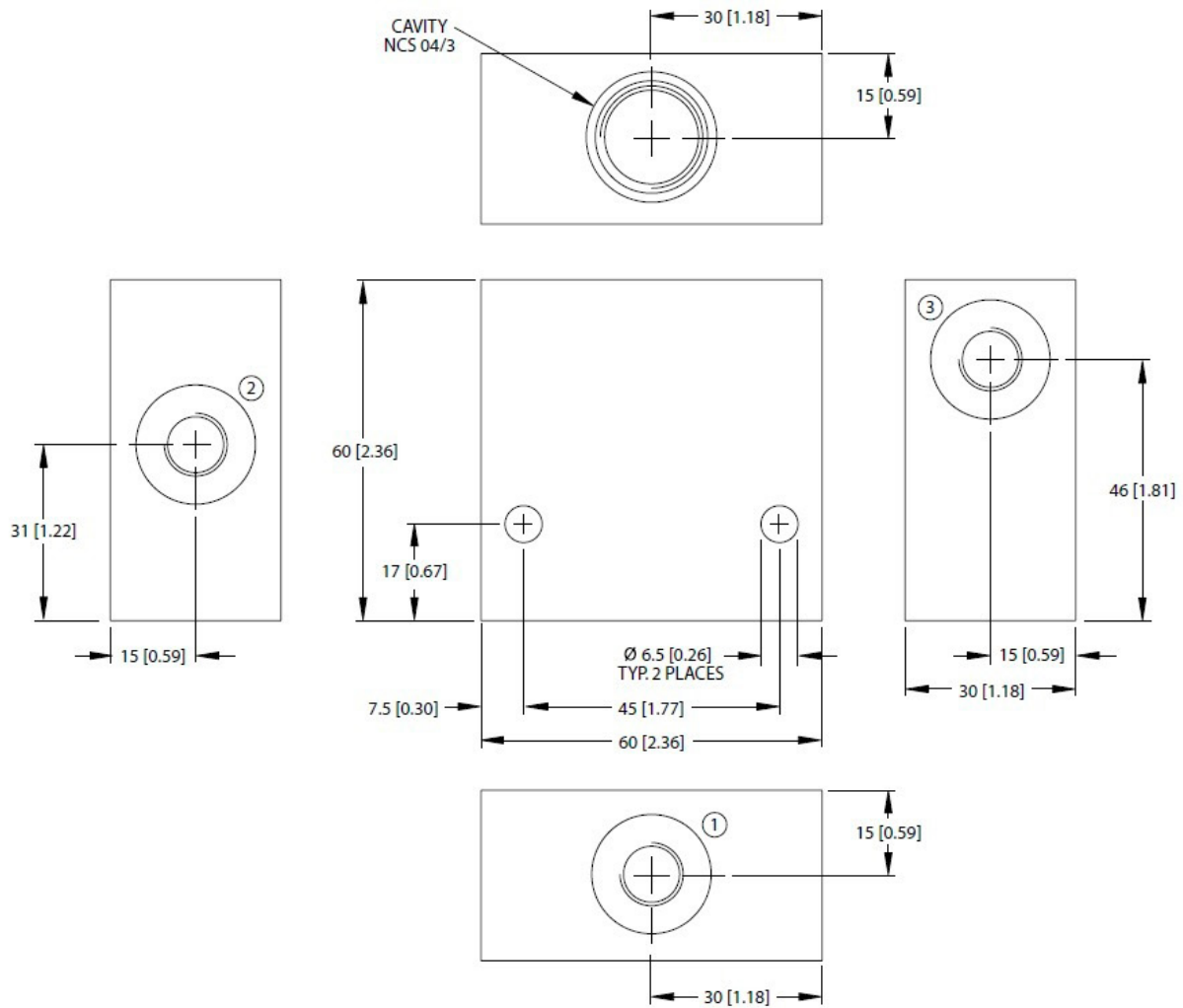


Housings
NCS04/3 (DL)

Options

Order Code	Description	Style	Ports
NCS04/3-DL-1/4	Alum. Hsg., 2 Cavities w/#1 Ports Conn.	DL	1/4 BSP
NCS04/3-DL-4S	Alum. Hsg., 2 Cavities w/#1 Ports Conn.	DL	SAE #4
NCS04/3-DL-6S	Alum. Hsg., 2 Cavities w/#1 Ports Conn.	DL	SAE #6

Dimensional drawings

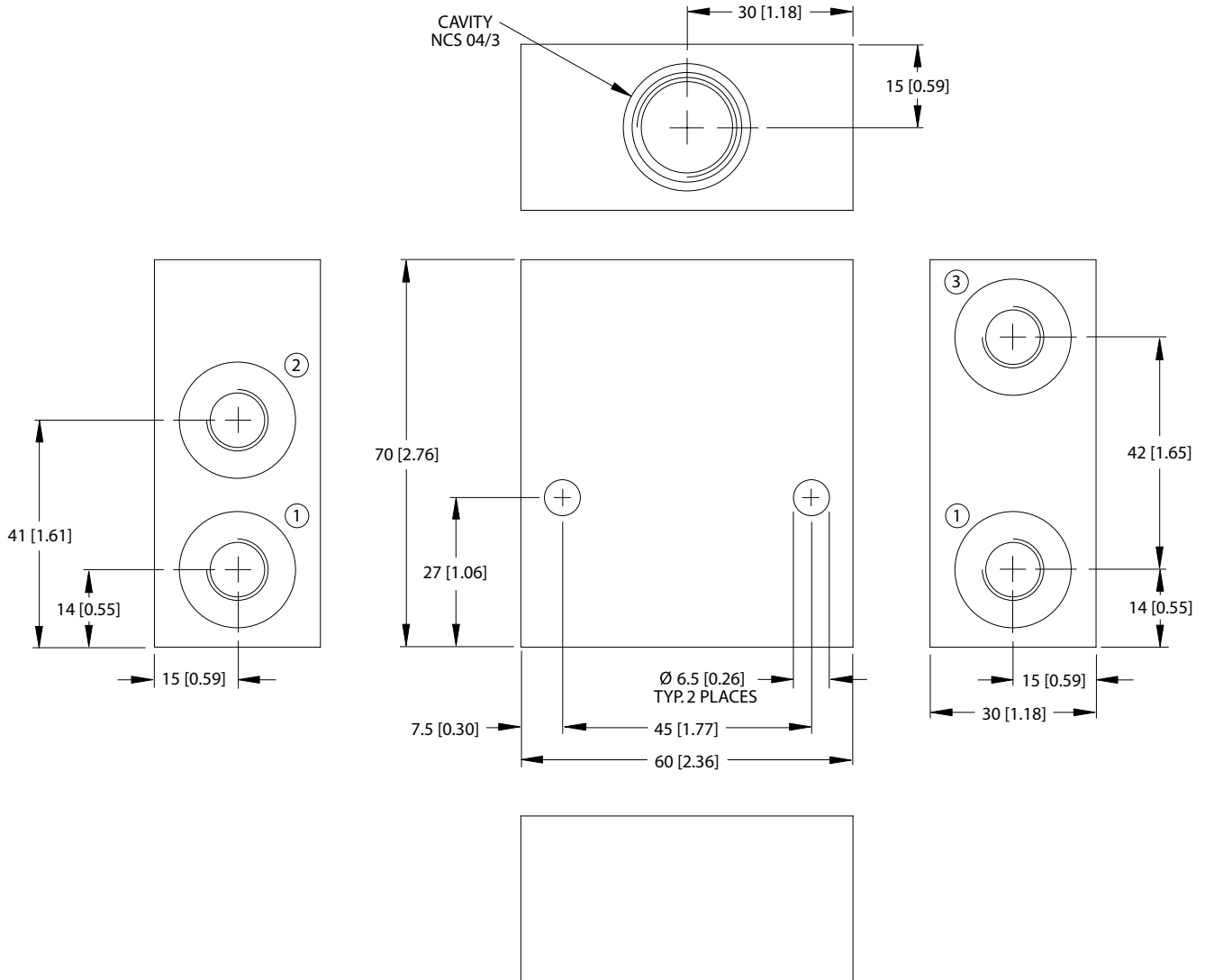


Housings
 NCS04/3 (SE)

Options

Order Code	Description	Style	Ports
NCS04/3-SE-1/4	Aluminum Housing	SE	1/4 BSP
NCS04/3-SE-4S	Aluminum Housing	SE	SAE #4
NCS04/3-SE-6S	Aluminum Housing	SE	SAE #6

Dimensional drawings

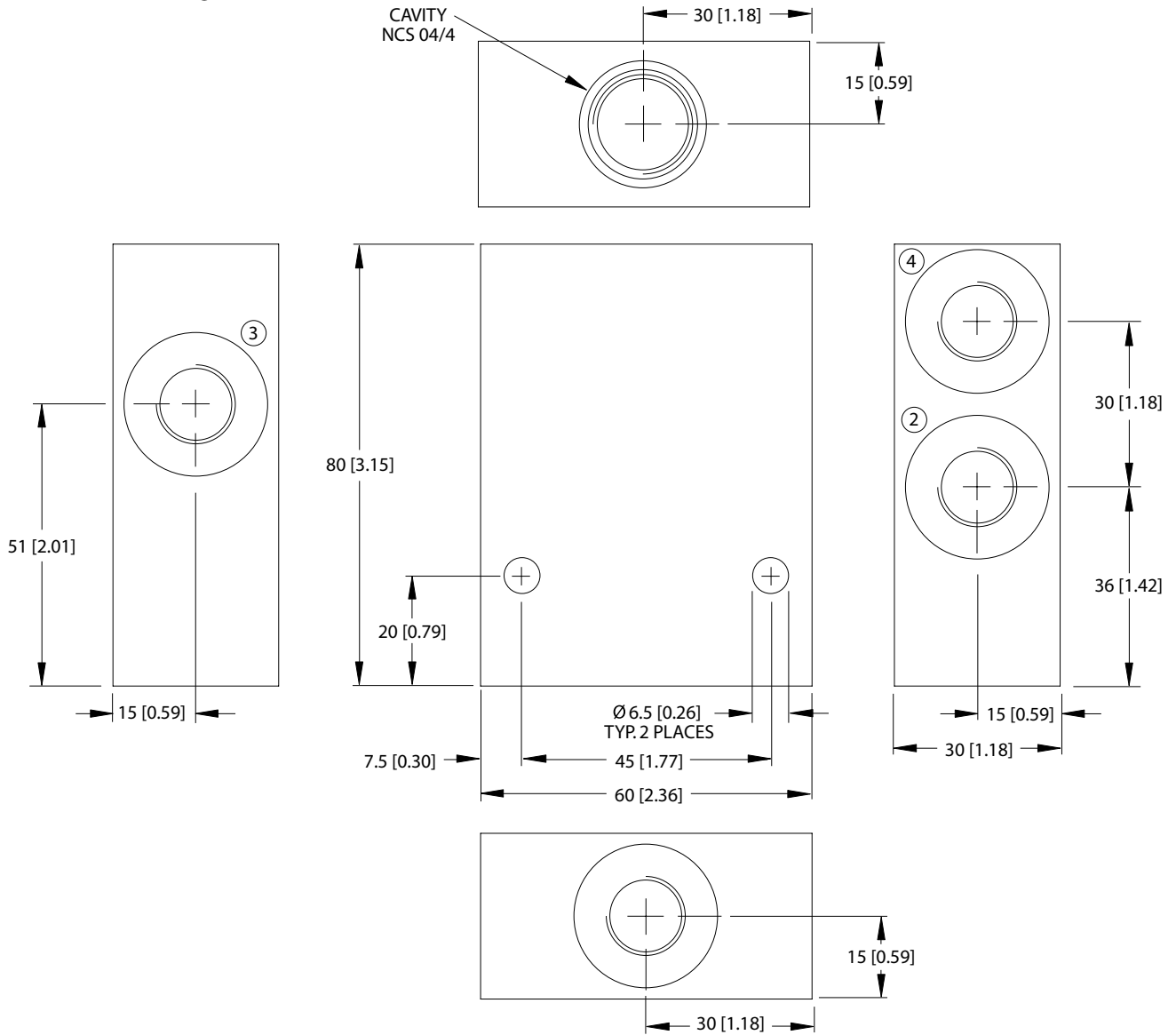


Housings
 NCS04/3 (SI)

Options

Order Code	Description	Style	Ports
NCS04/3-SI-4S	Aluminum Housing, Two #1 Ports	SI	SAE #4
NCS04/3-SI-6S	Aluminum Housing, Two #1 Ports	SI	SAE #6

Dimensional drawings

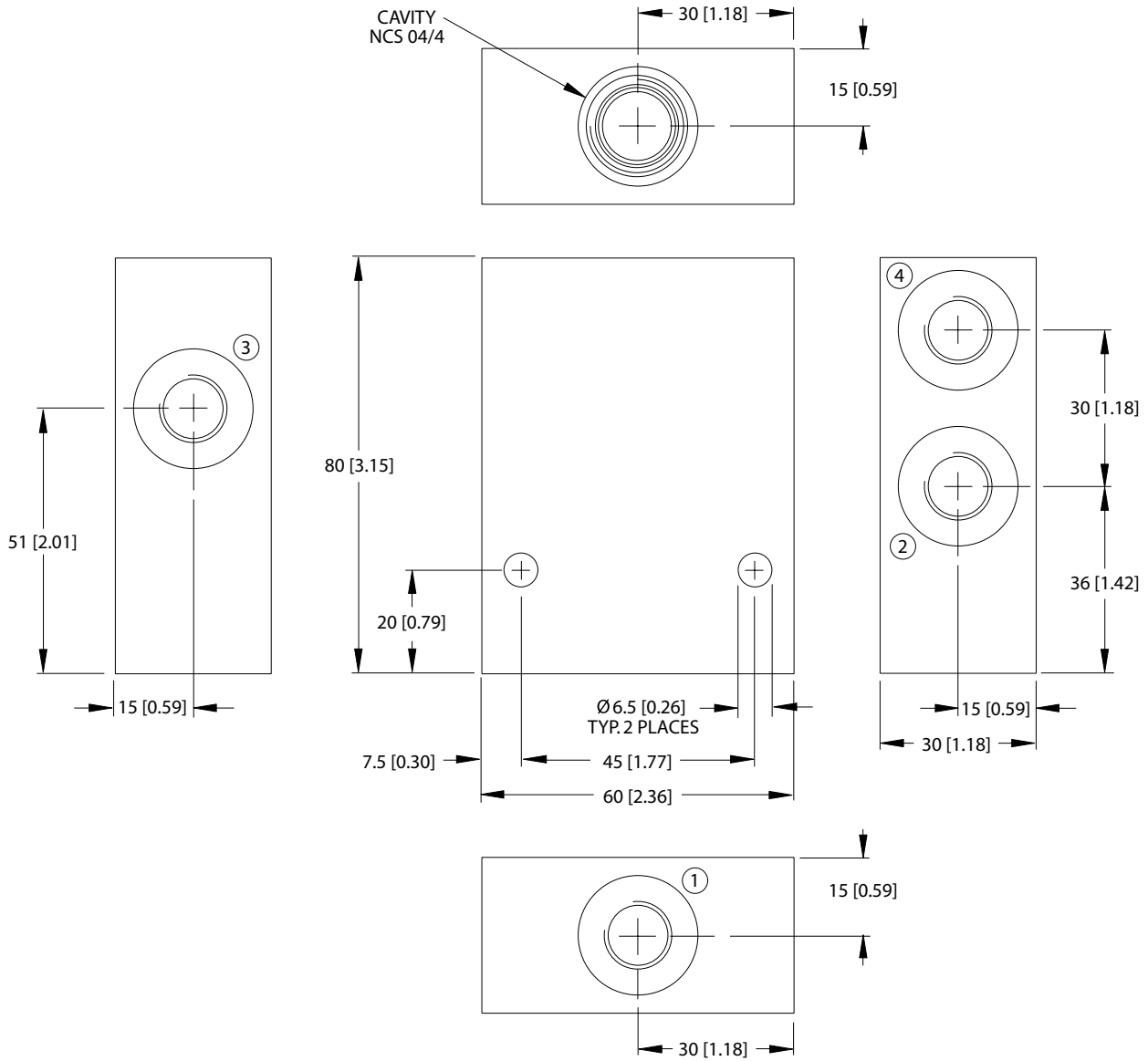


Housings
 NCS04/4 (L - SAE #6 Ports)

Options

Order Code	Description	Style	Ports
NCS04/4-L-6S	Aluminum Housing, Two #1 Ports	L	SAE #6

Dimensional drawings

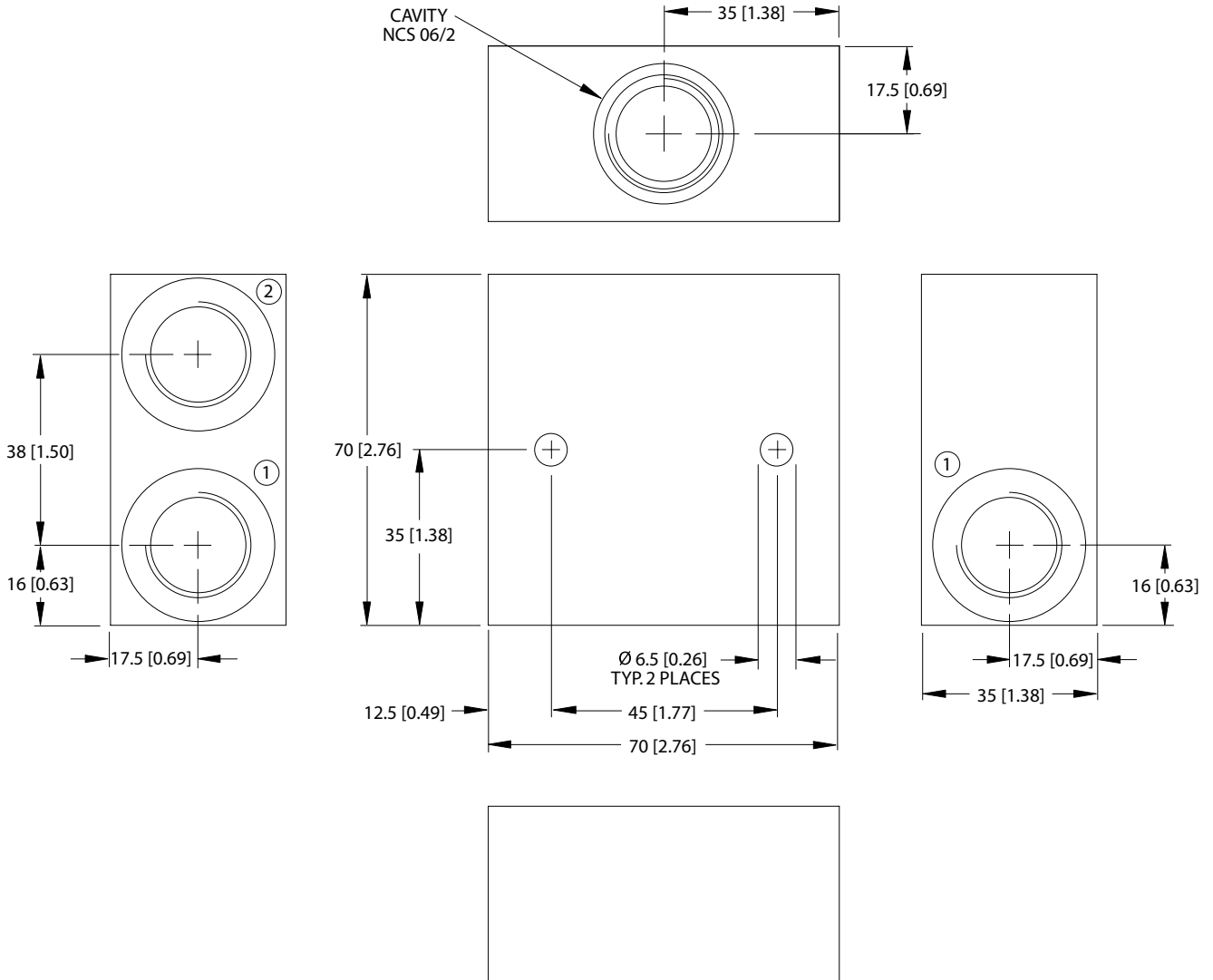


Housings
 NCS04/4 (L)

Options

Order Code	Description	Style	Ports
NCS04/4-L-1/4	Aluminum Housing	L	1/4 BSP
NCS04/4-L-4S	Aluminum Housing	L	SAE #4

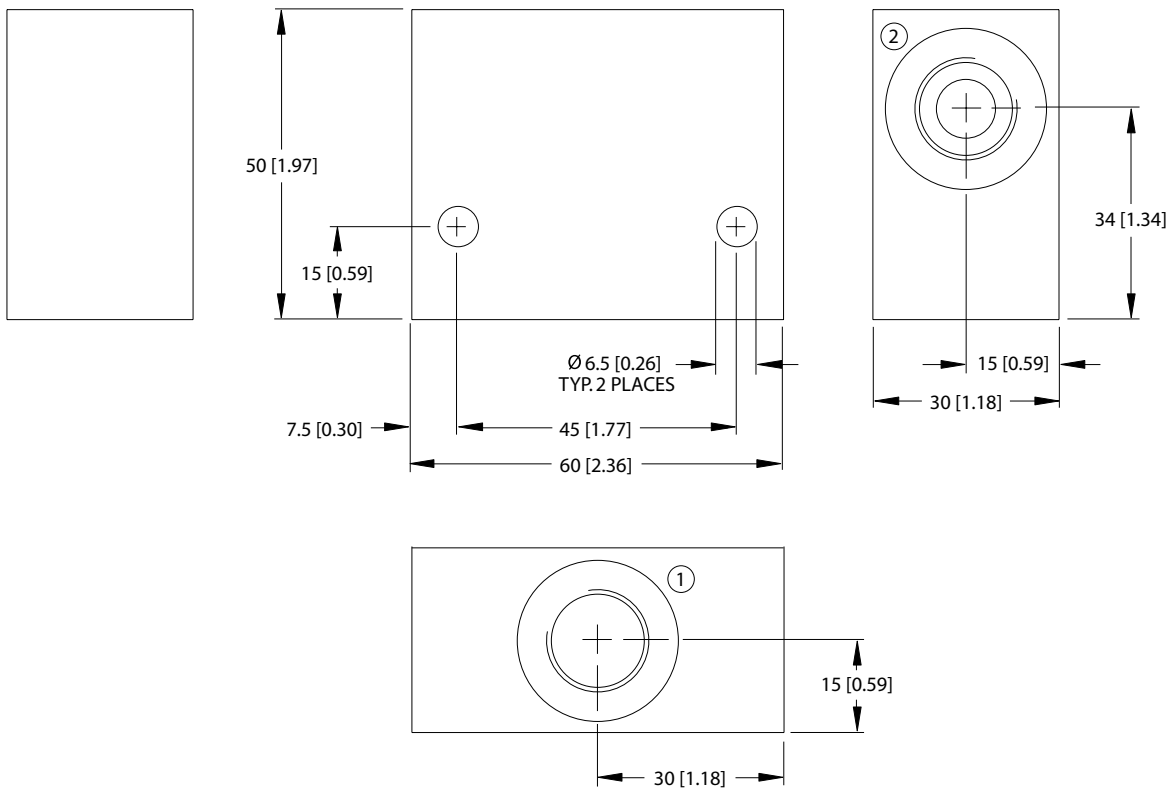
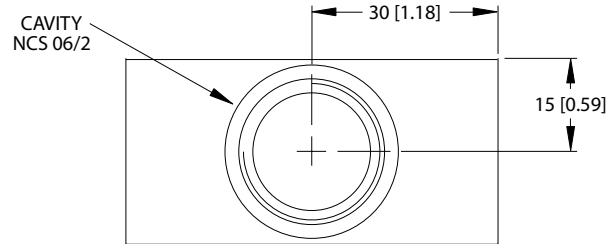
Dimensional drawings



Options

Order Code	Description	Style	Ports
NCS06/2-LG2-1/2	Aluminum Housing, Two #1 Ports	LG2	1/2 BSP
NCS06/2-LG2-8S	Aluminum Housing, Two #1 Ports	LG2	SAE #8

Dimensional drawings

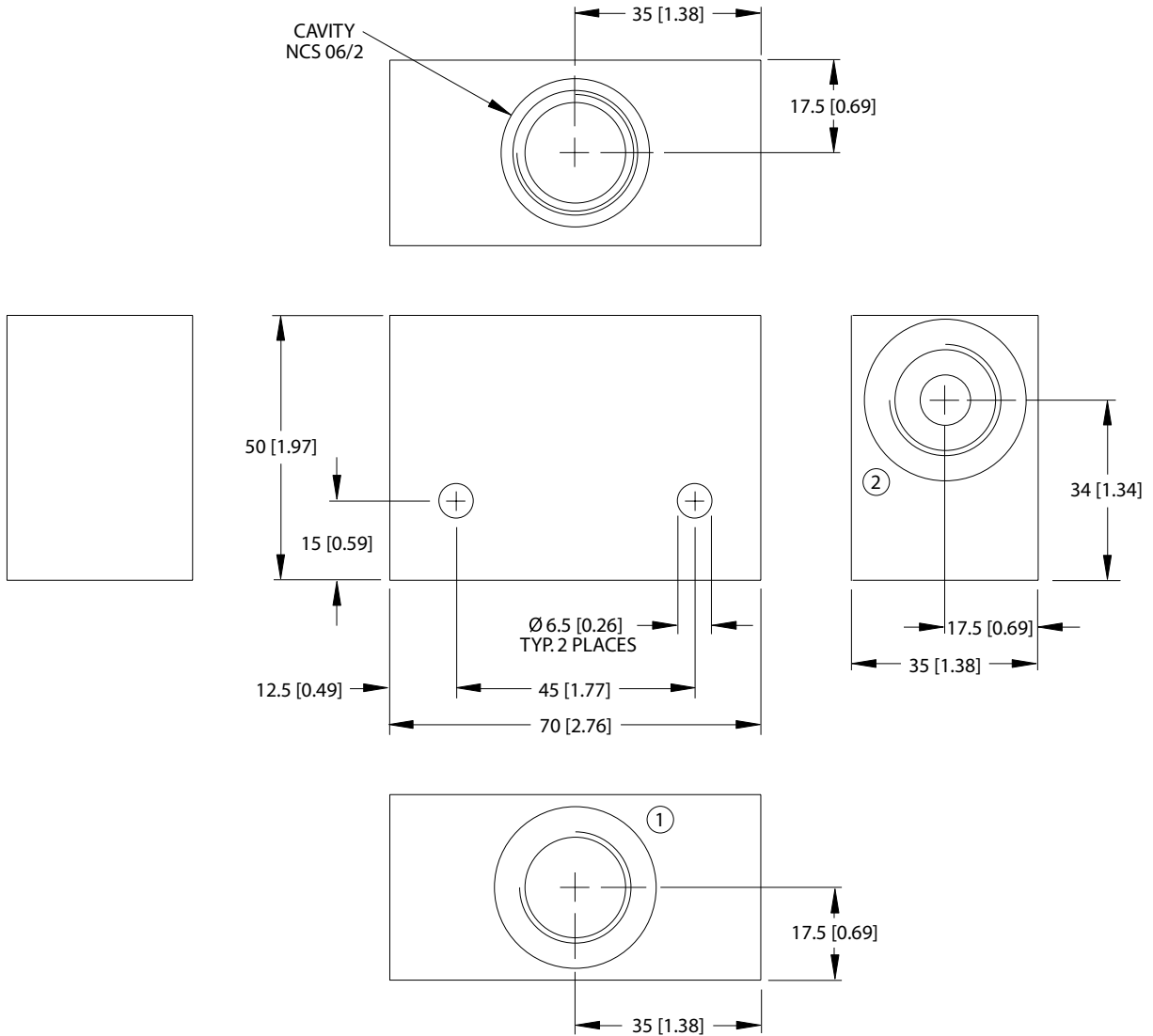


Options

Order Code	Description	Style	Ports
NCS06/2-DG-3/8	Aluminum Housing	DG	3/8 BSP
NCS06/2-DG-6S	Aluminum Housing	DG	SAE #6

Housings
NCS06/2 (DG)

Dimensional drawings

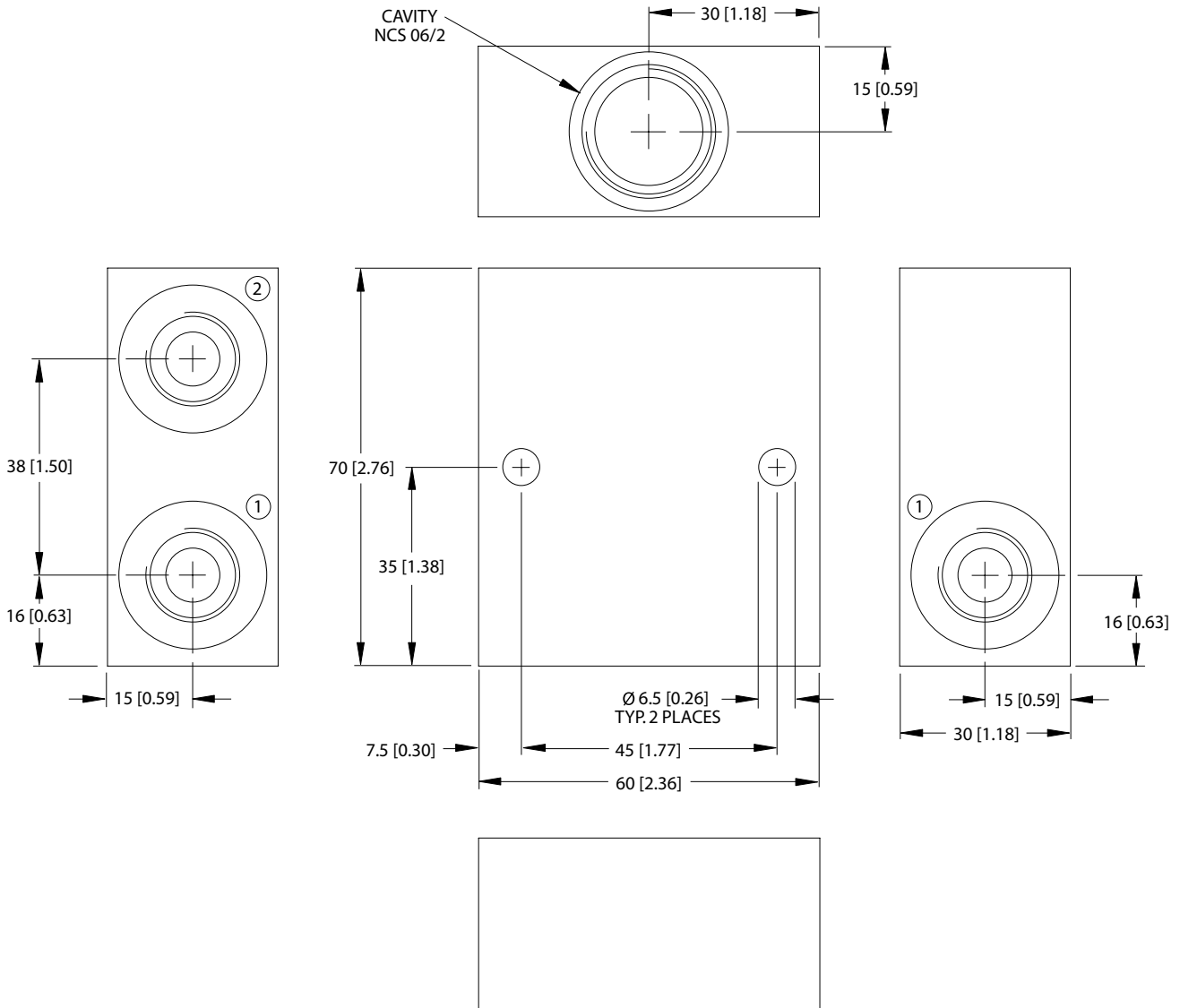


Housings
 NCS06/2 (DG)

Options

Order Code	Description	Style	Ports
NCS06/2-DG-1/2	Aluminum Housing	DG	1/2 BSP
NCS06/2-DG-8S	Aluminum Housing	DG	SAE #8

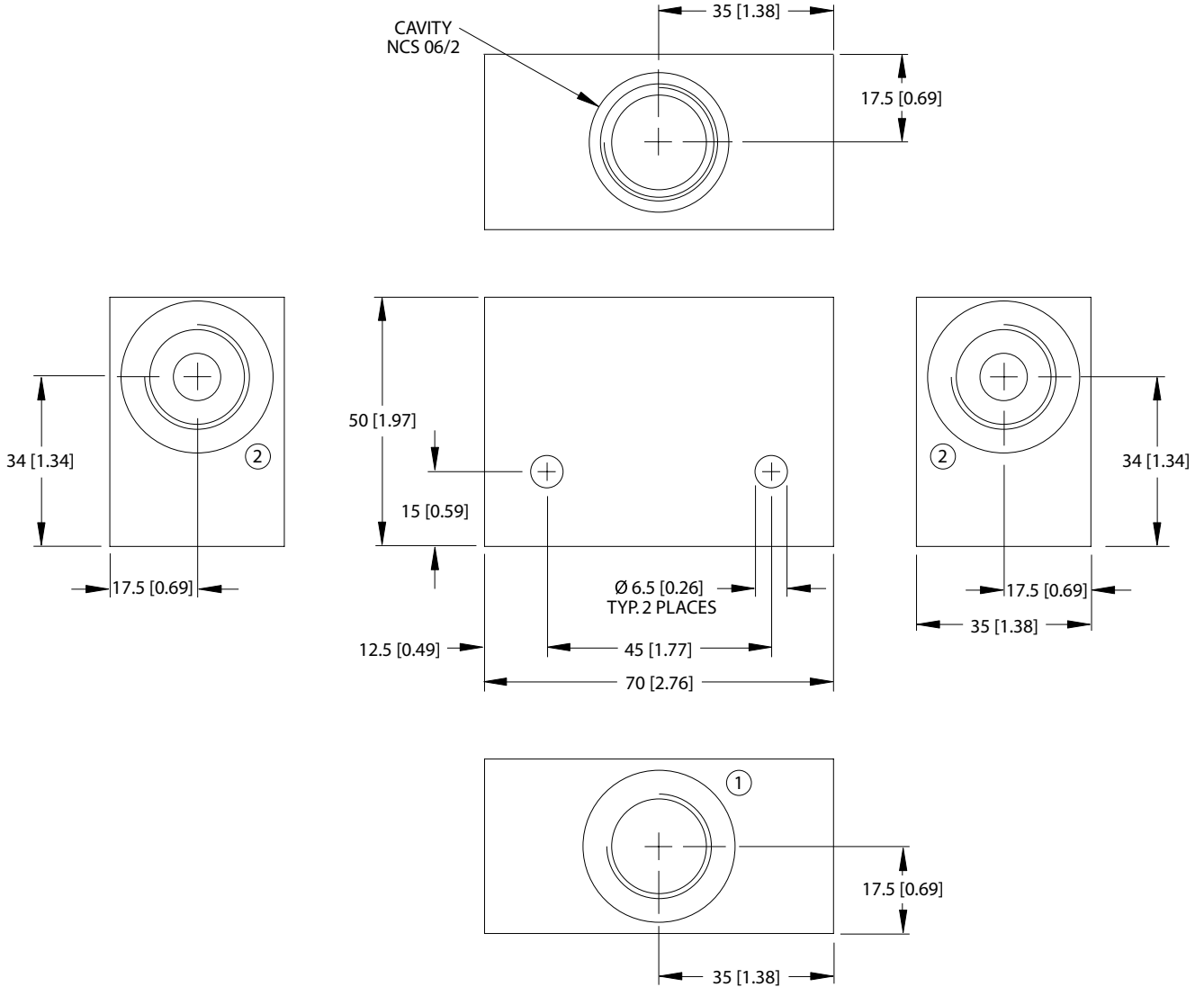
Dimensional drawings



Options

Order Code	Description	Style	Ports
NCS06/2-LG2-3/8	Aluminum Housing, Two #1 Ports	LG2	3/8 BSP
NCS06/2-LG2-6S	Aluminum Housing, Two #1 Ports	LG2	SAE #6

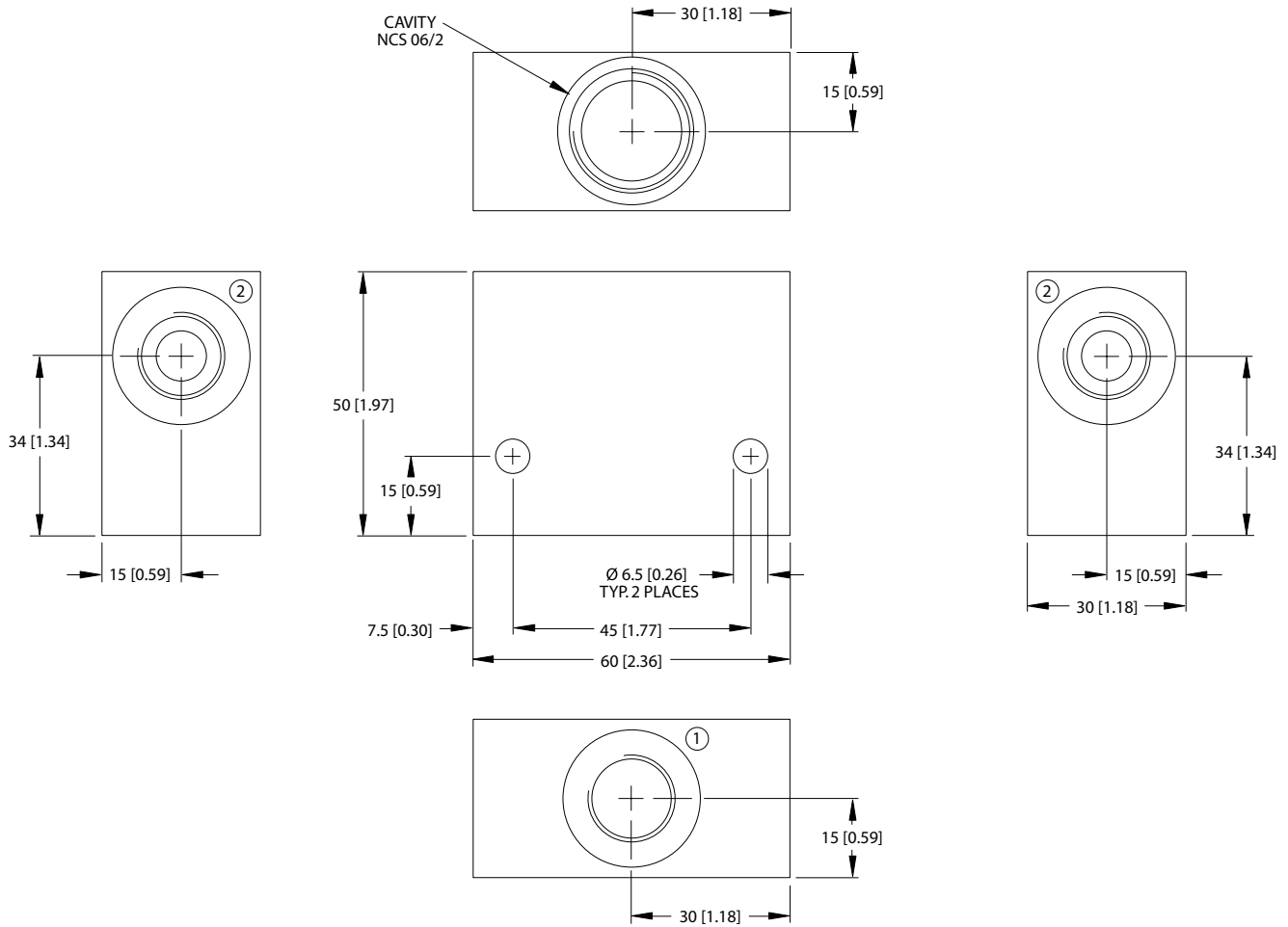
Dimensional drawings



Options

Order Code	Description	Style	Ports
NCS06/2-LG1-1/2	Aluminum Housing, Two #2 Ports	LG1	1/2 BSP
NCS06/2-LG1-8S	Aluminum Housing, Two #2 Ports	LG1	SAE #8

Dimensional drawings

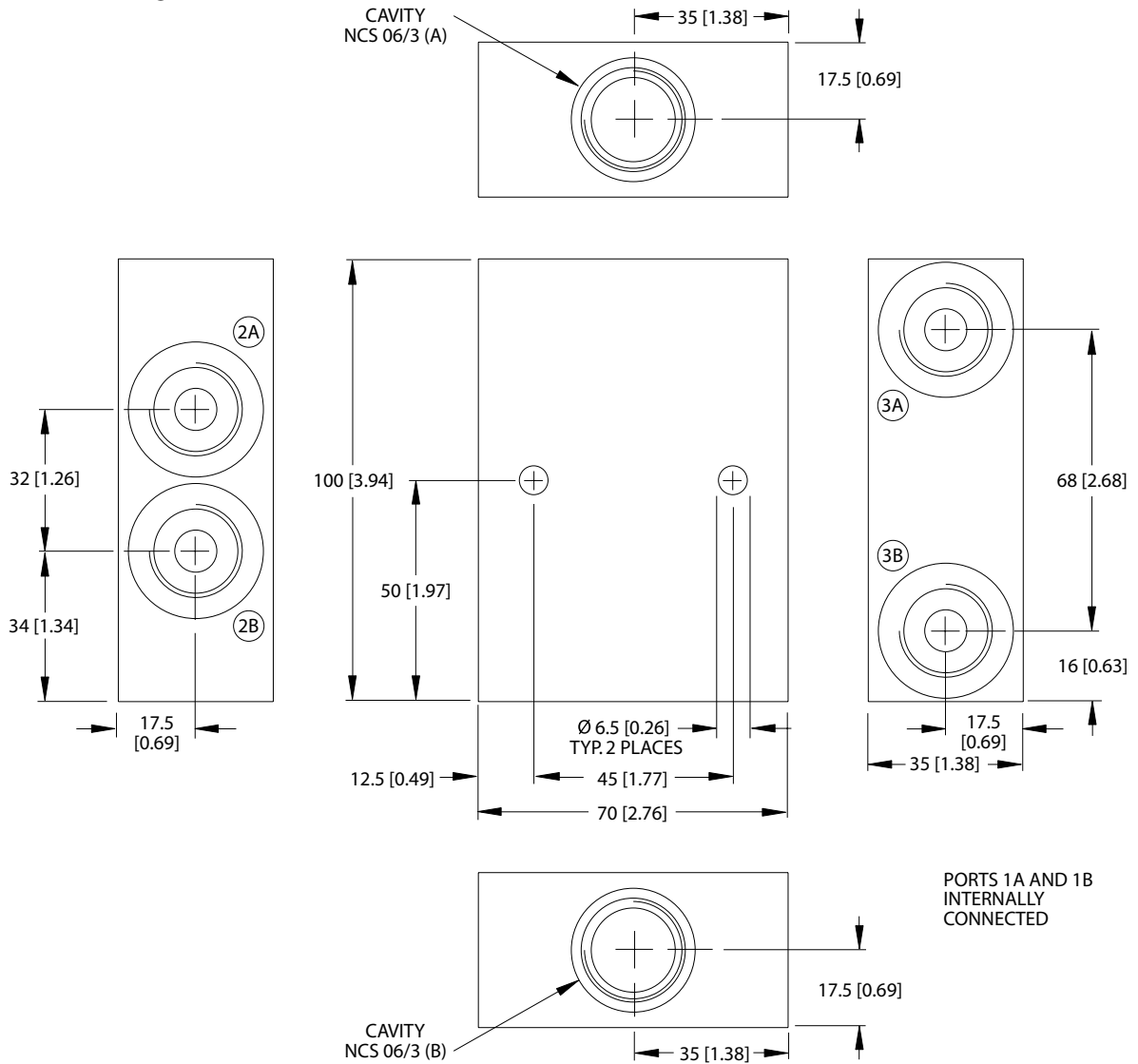


Housings
 NCS06/2 (LG1 - 3/8 BSP Ports)

Options

Order Code	Description	Style	Ports
NCS06/2-LG1-3/8	Aluminum Housing, Two #2 Ports	LG1	3/8 BSP

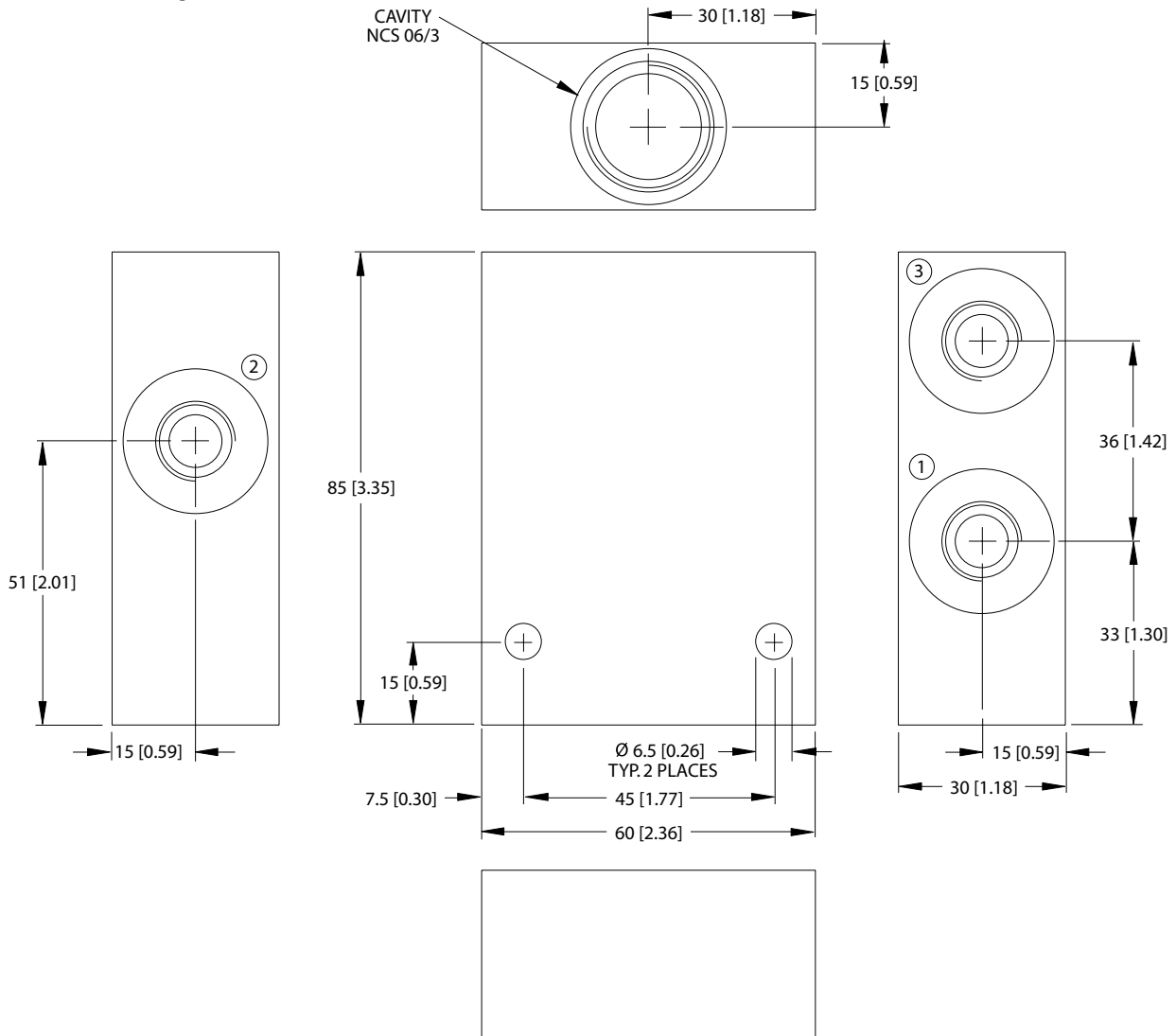
Dimensional drawings



Options

Order Code	Description	Style	Ports
NCS06/3-DL-1/2	Alum. Hsg., 2 Cavities w/#1 Ports Conn.	DL	1/2 BSP
NCS06/3-DL-8S	Alum. Hsg., 2 Cavities w/#1 Ports Conn.	DL	SAE #8

Dimensional drawings

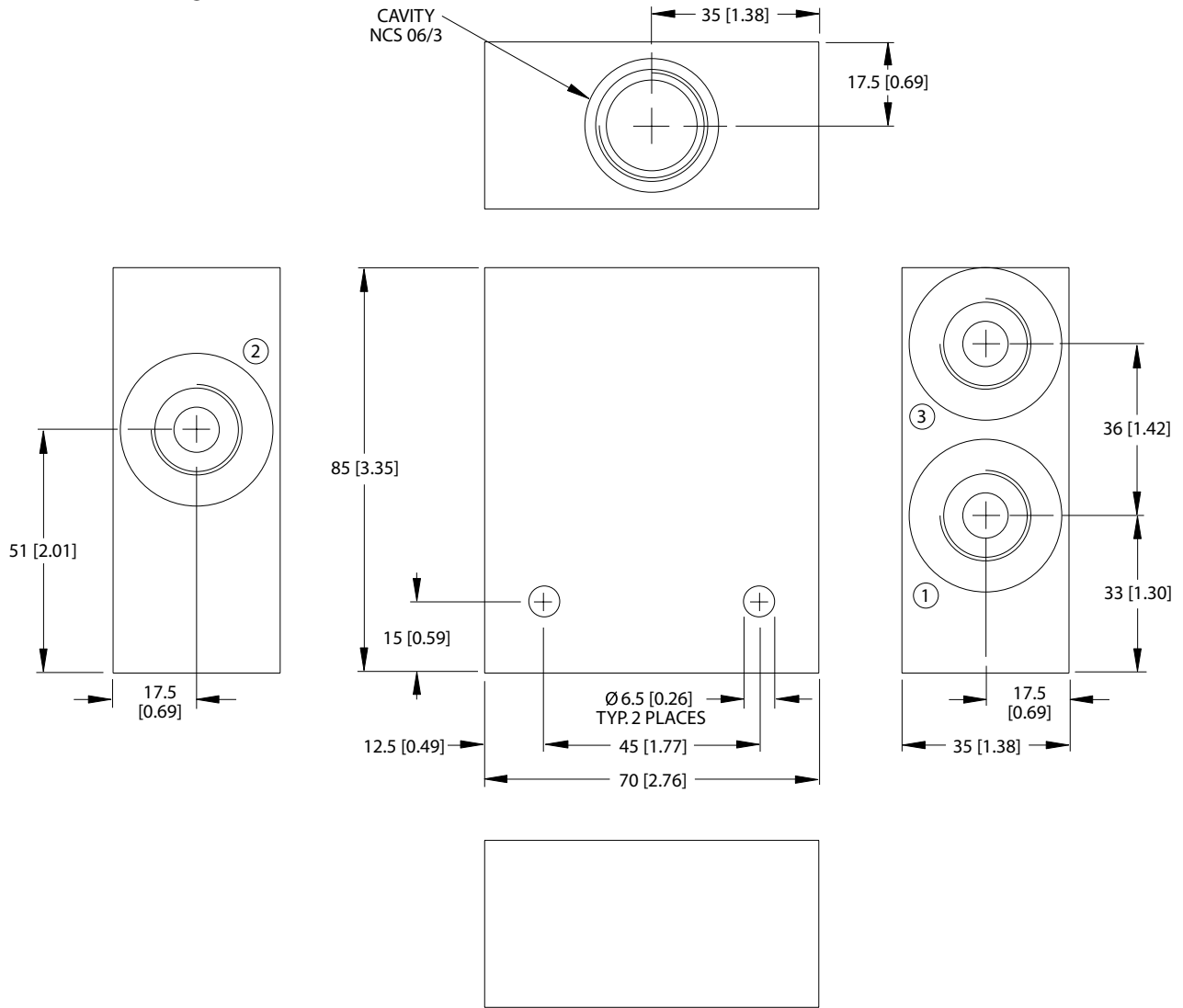


Housings
 NCS06/3 (LD - SAE #6 Ports)

Options

Order Code	Description	Style	Ports
NCS06/3-LD-65	Aluminum Housing, No Port #1	LD	SAE #6

Dimensional drawings

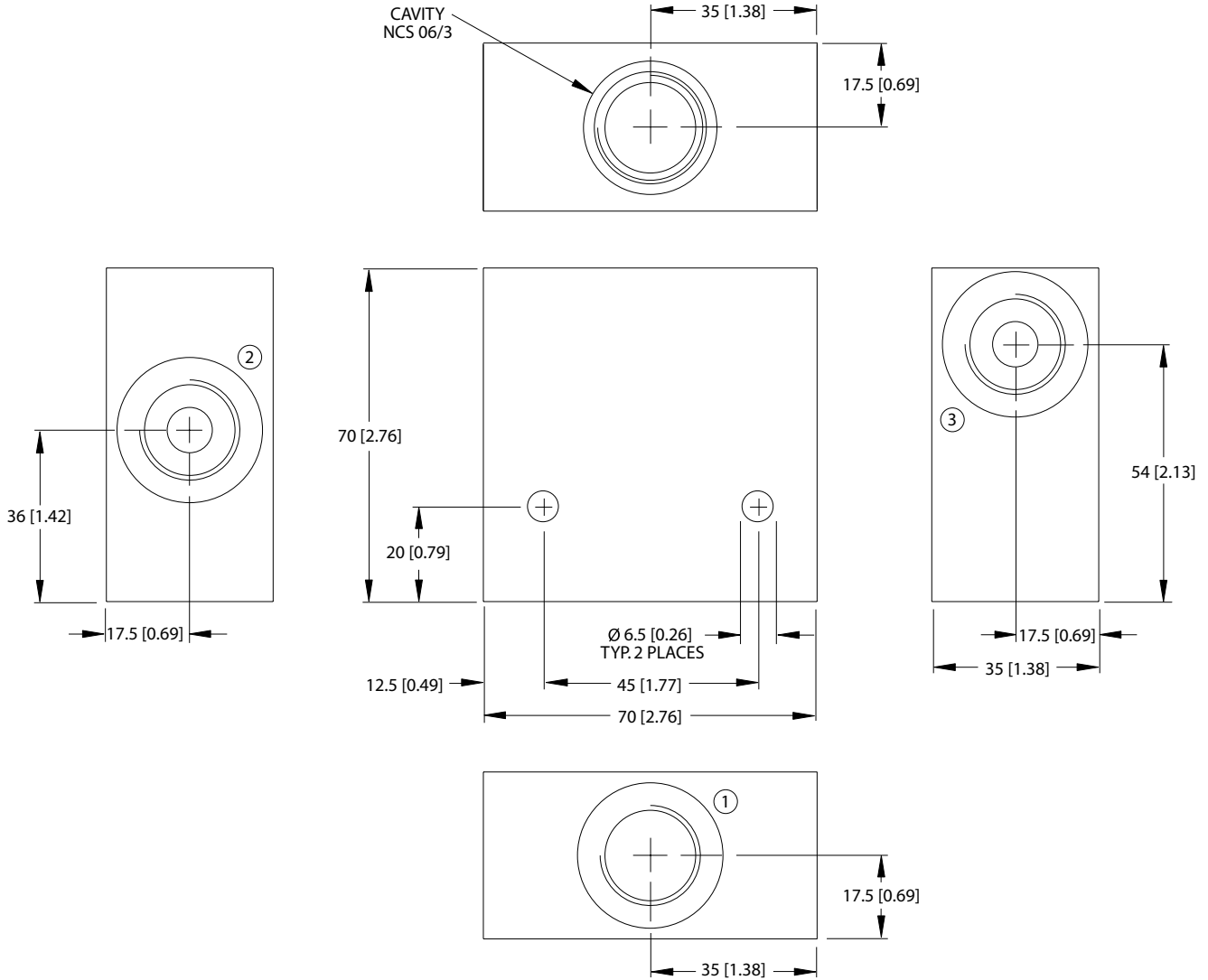


Housings
 NCS06/3 (LD - SAE #8 Ports)

Options

Order Code	Description	Style	Ports
NCS06/3-LD-85	Aluminum Housing, No Port #1	LD	SAE #8

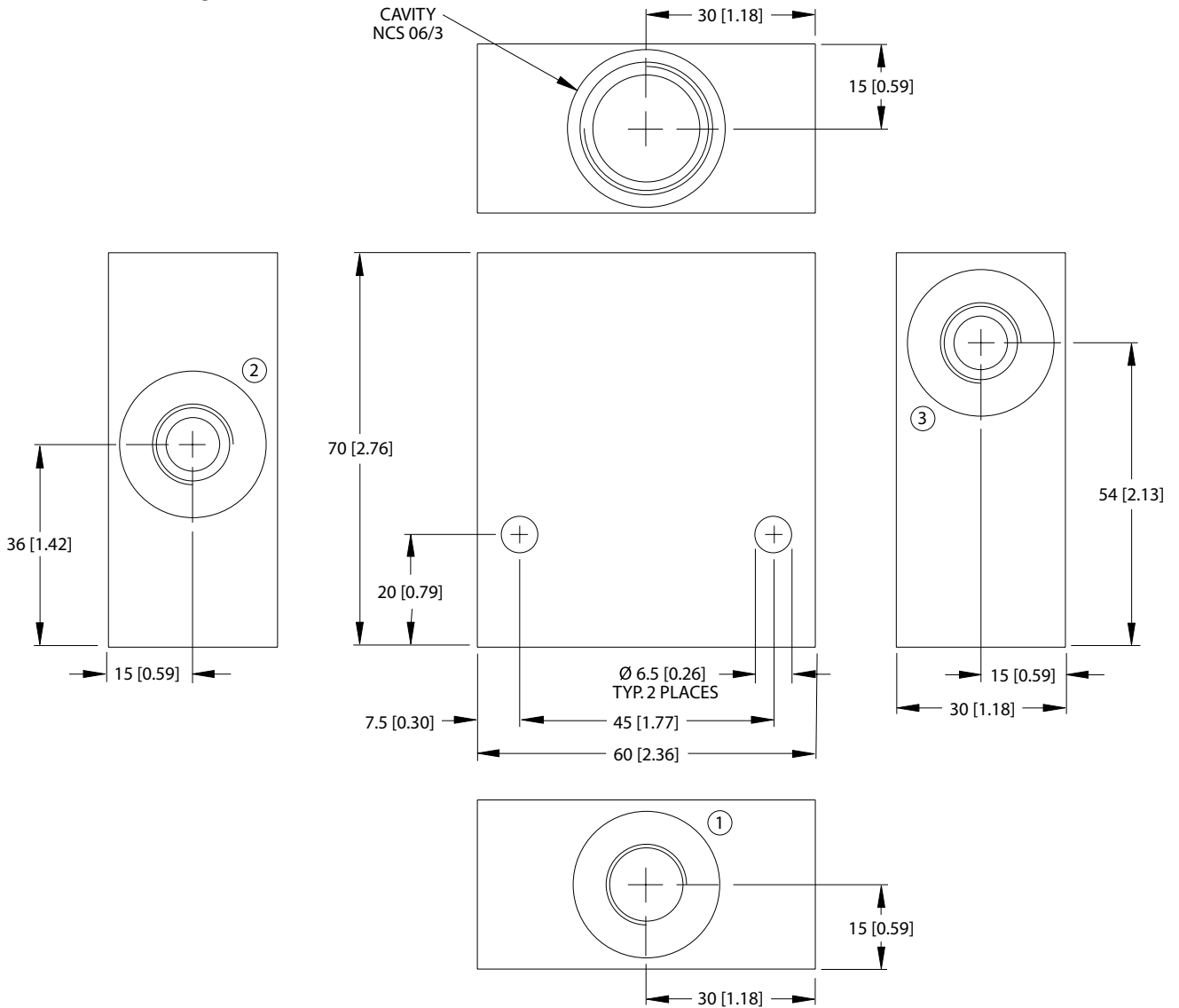
Dimensional drawings



Options

Order Code	Description	Style	Ports
NCS06/3-SE-1/2	Aluminum Housing	SE	1/2 BSP
NCS06/3-SE-8S	Aluminum Housing	SE	SAE #8

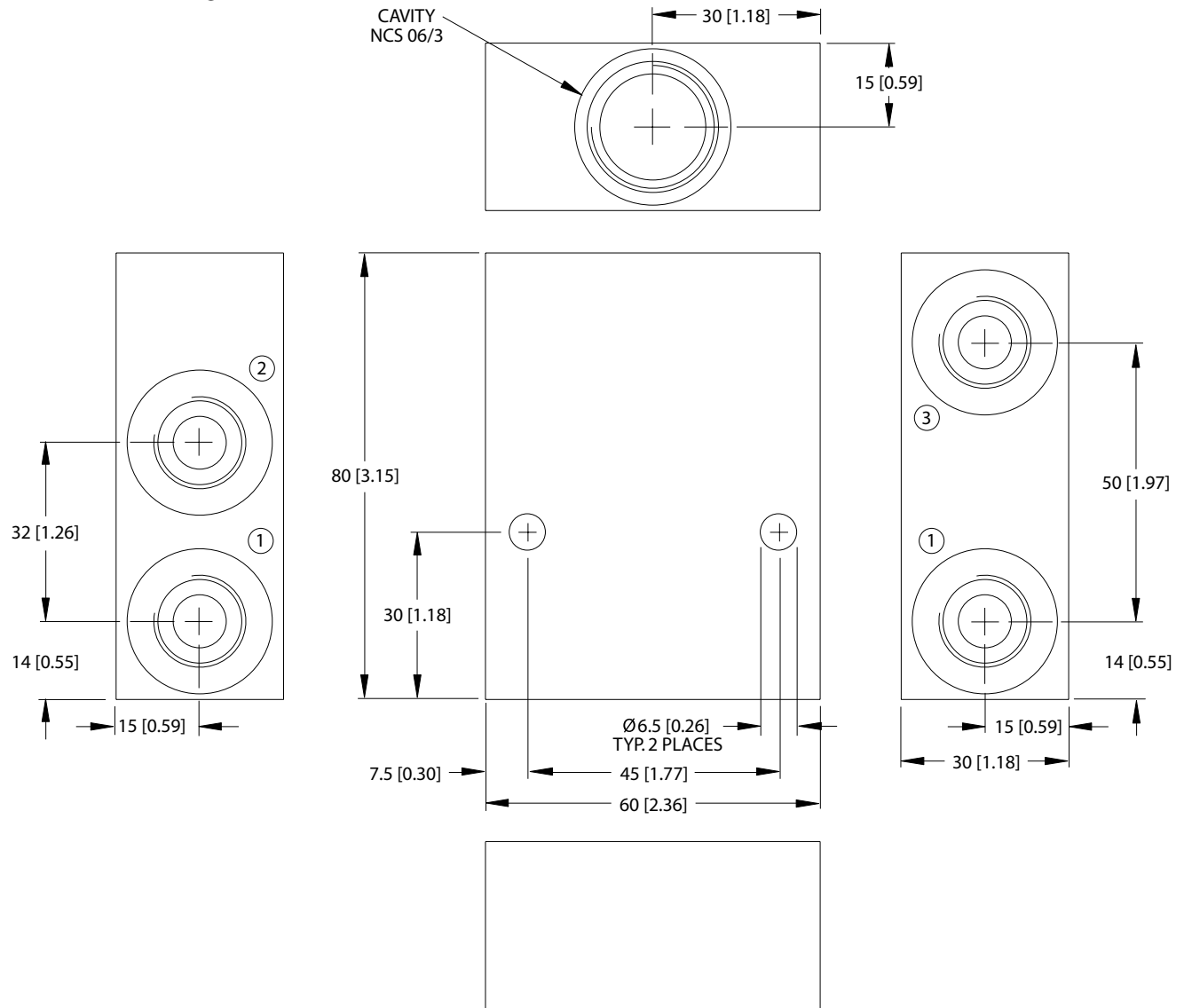
Dimensional drawings



Options

Order Code	Description	Style	Ports
NCS06/3-SE-3/8	Aluminum Housing	SE	3/8 BSP
NCS06/3-SE-6S	Aluminum Housing	SE	SAE #6

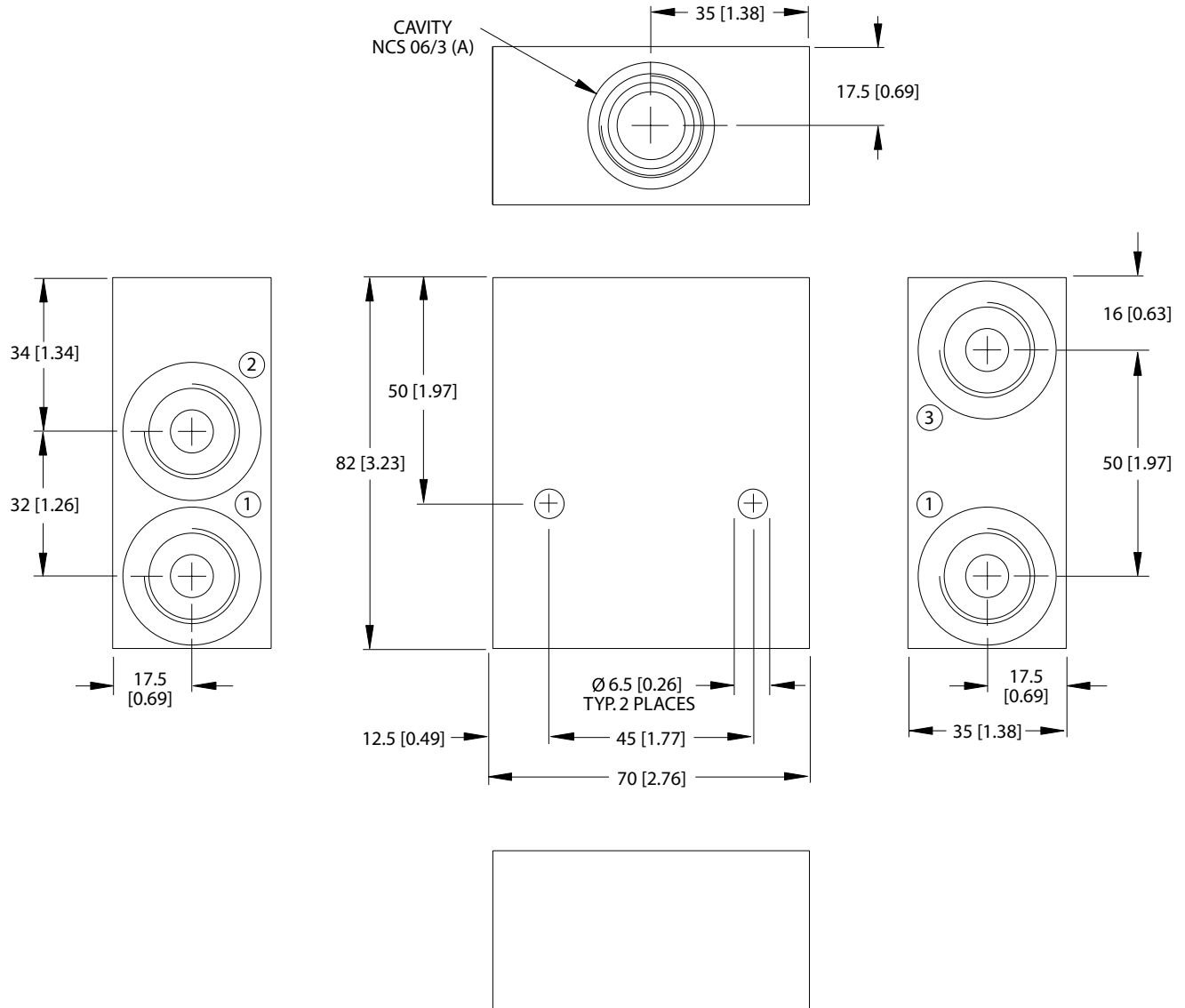
Dimensional drawings



Options

Order Code	Description	Style	Ports
NCS06/3-SI-3/8	Aluminum Housing, Two #1 Ports	SI	3/8 BSP
NCS06/3-SI-6S	Aluminum Housing, Two #1 Ports	SI	SAE #6

Dimensional drawings

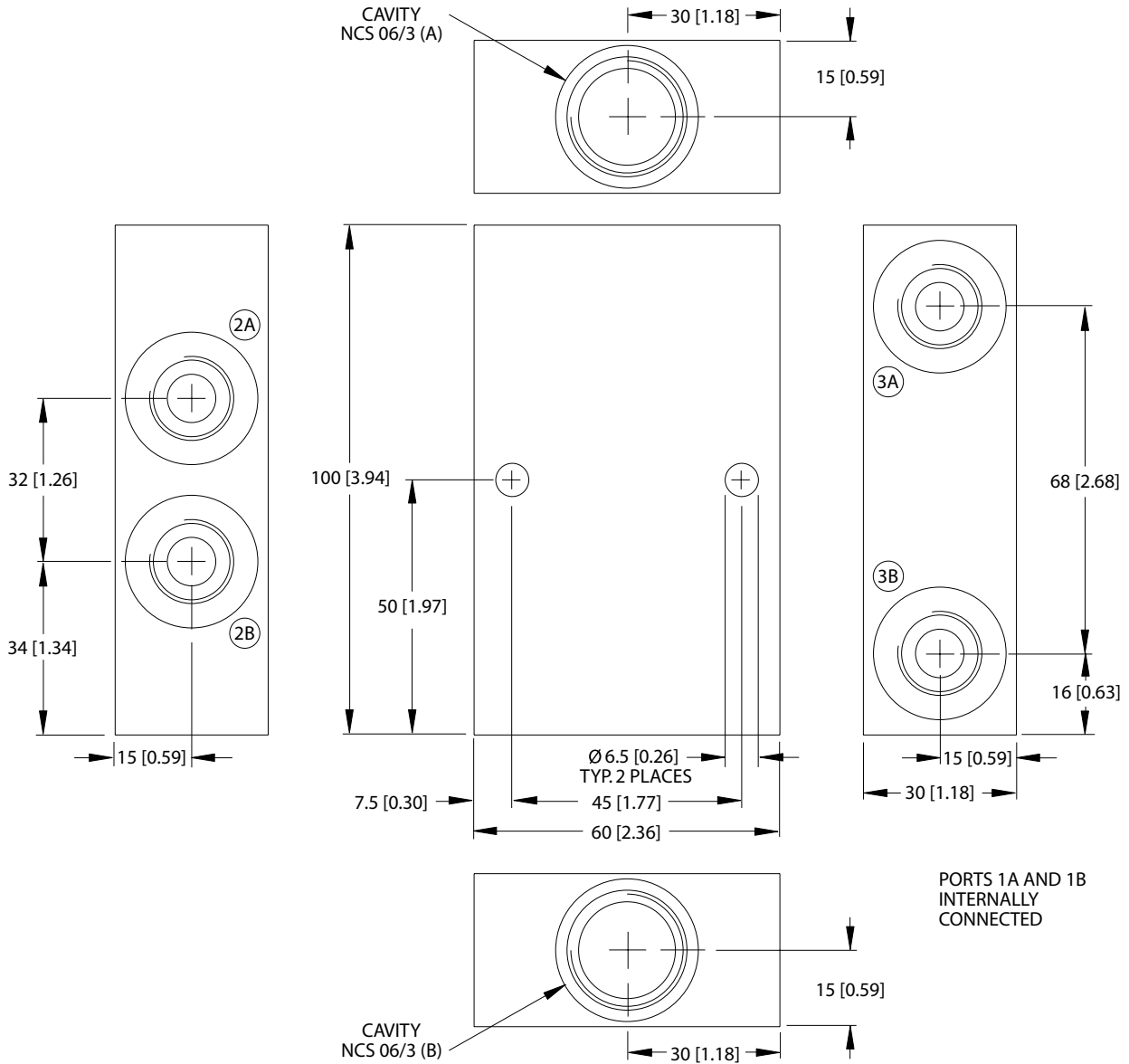


Housings
 NCS06/3 (SI)

Options

Order Code	Description	Style	Ports
NCS06/3-SI-1/2	Aluminum Housing, Two #1 Ports	SI	1/2 BSP
NCS06/3-SI-8S	Aluminum Housing, Two #1 Ports	SI	SAE #8

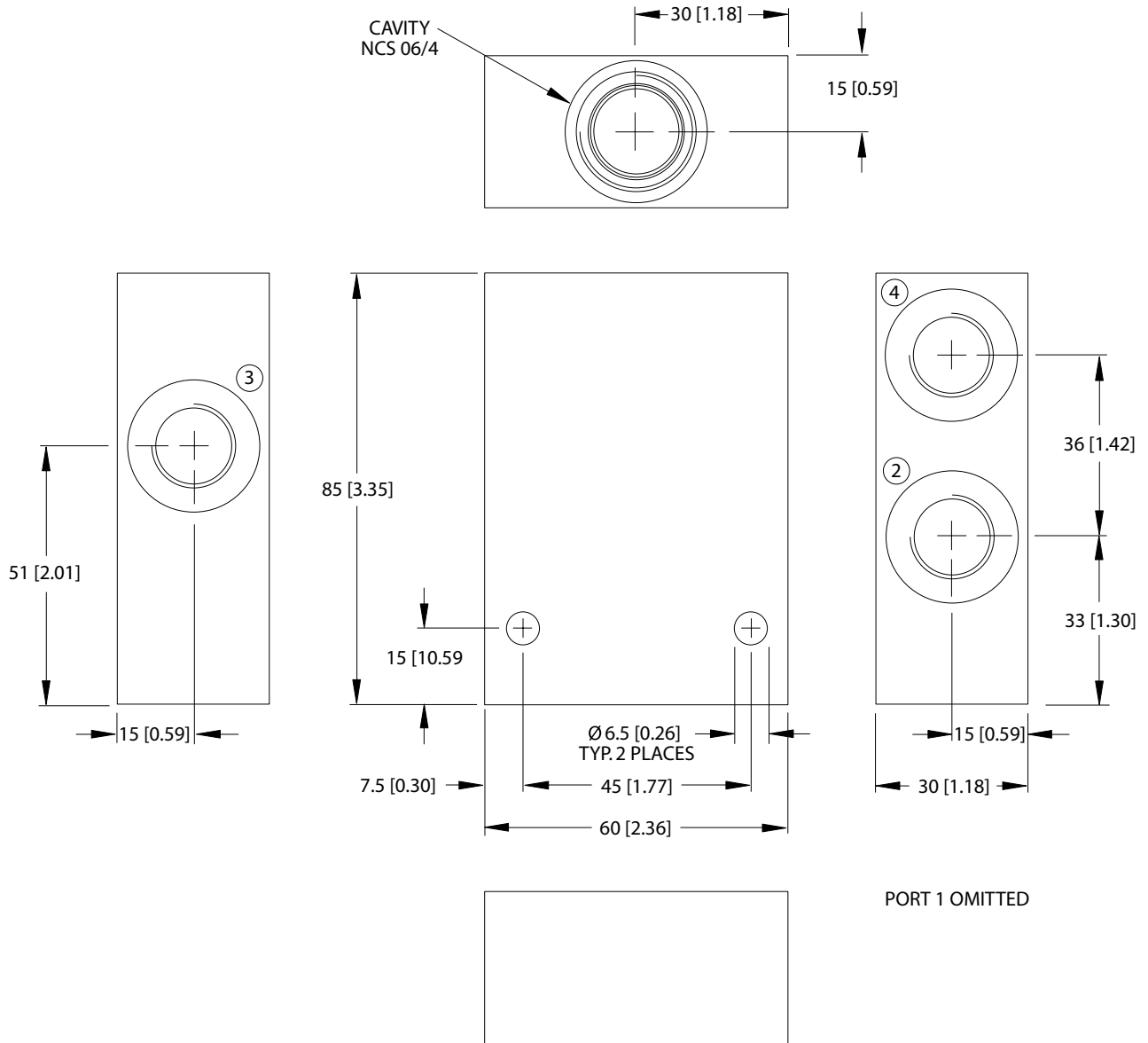
Dimensional drawings



Options

Order Code	Description	Style	Ports
NCS06/3-DL-3/8	Alum. Hsg., 2 Cavities w/#1 Ports Conn.	DL	3/8 BSP
NCS06/3-DL-6S	Alum. Hsg., 2 Cavities w/#1 Ports Conn.	DL	SAE #6

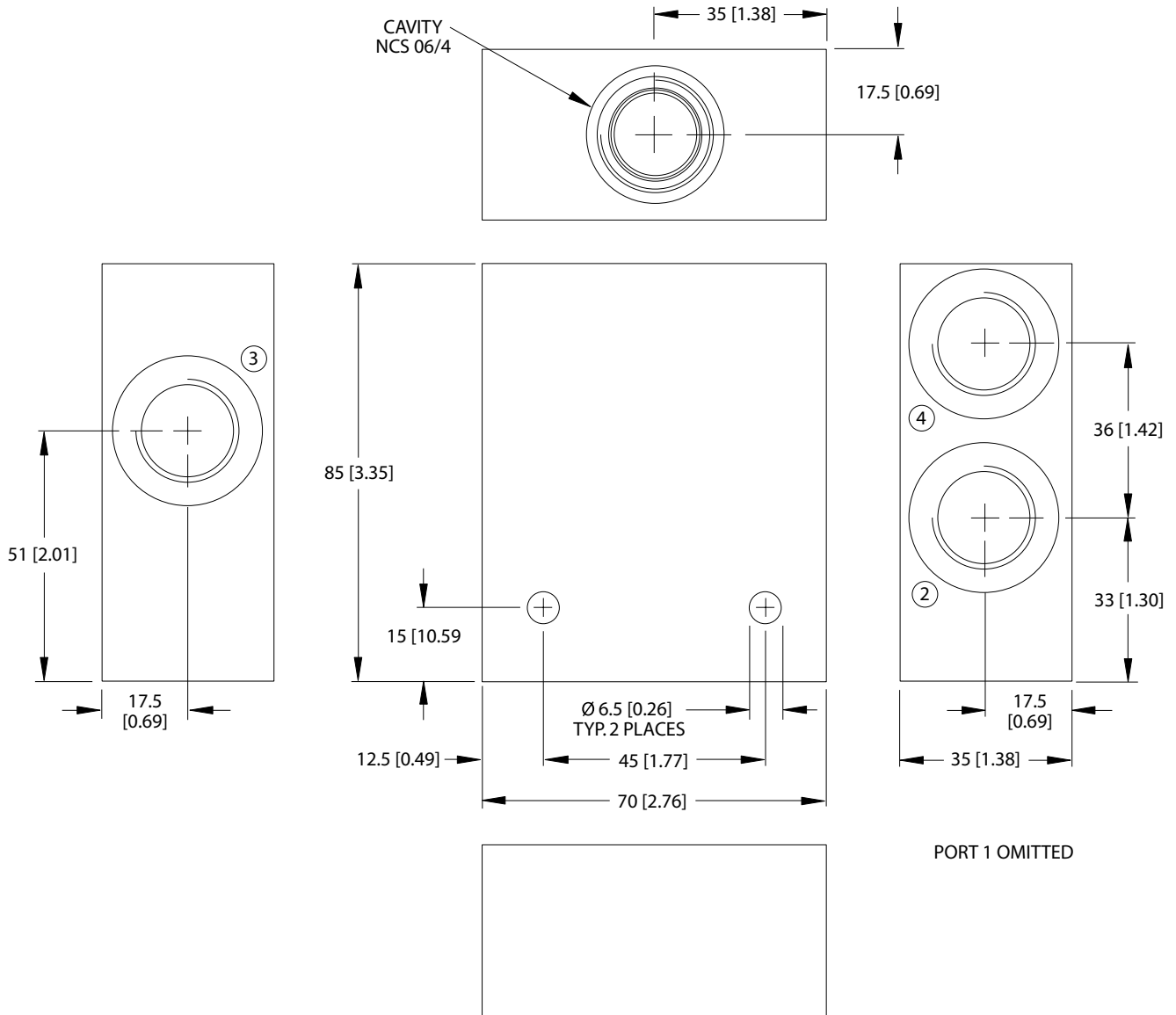
Dimensional drawings



Options

Order Code	Description	Style	Ports
NCS06/4-LD-3/8	Aluminum Housing, No Port #1	LD	3/8 BSP

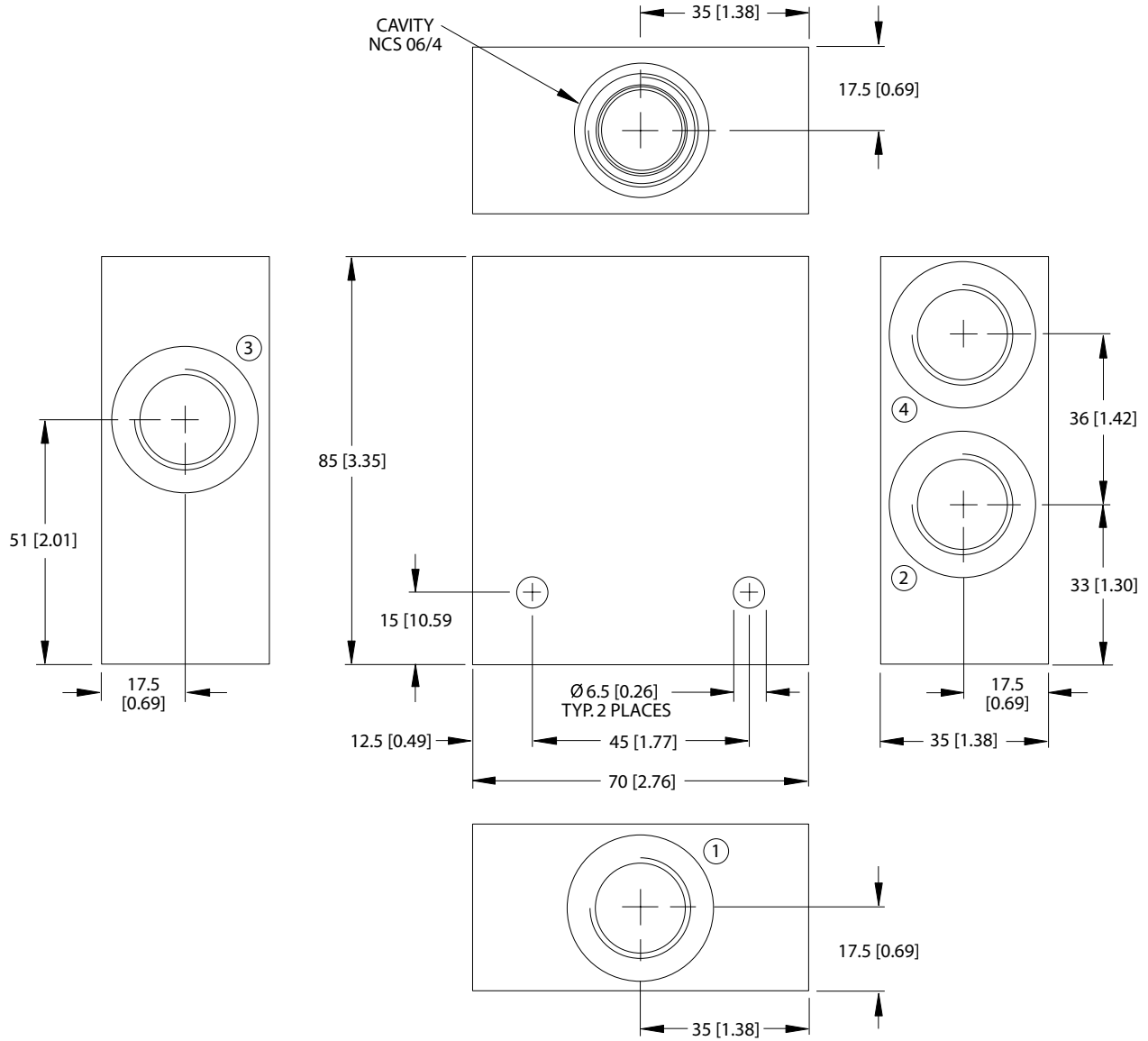
Dimensional drawings



Options

Order Code	Description	Style	Ports
NCS06/4-LD-1/2	Aluminum Housing, No Port #1	LD	1/2 BSP

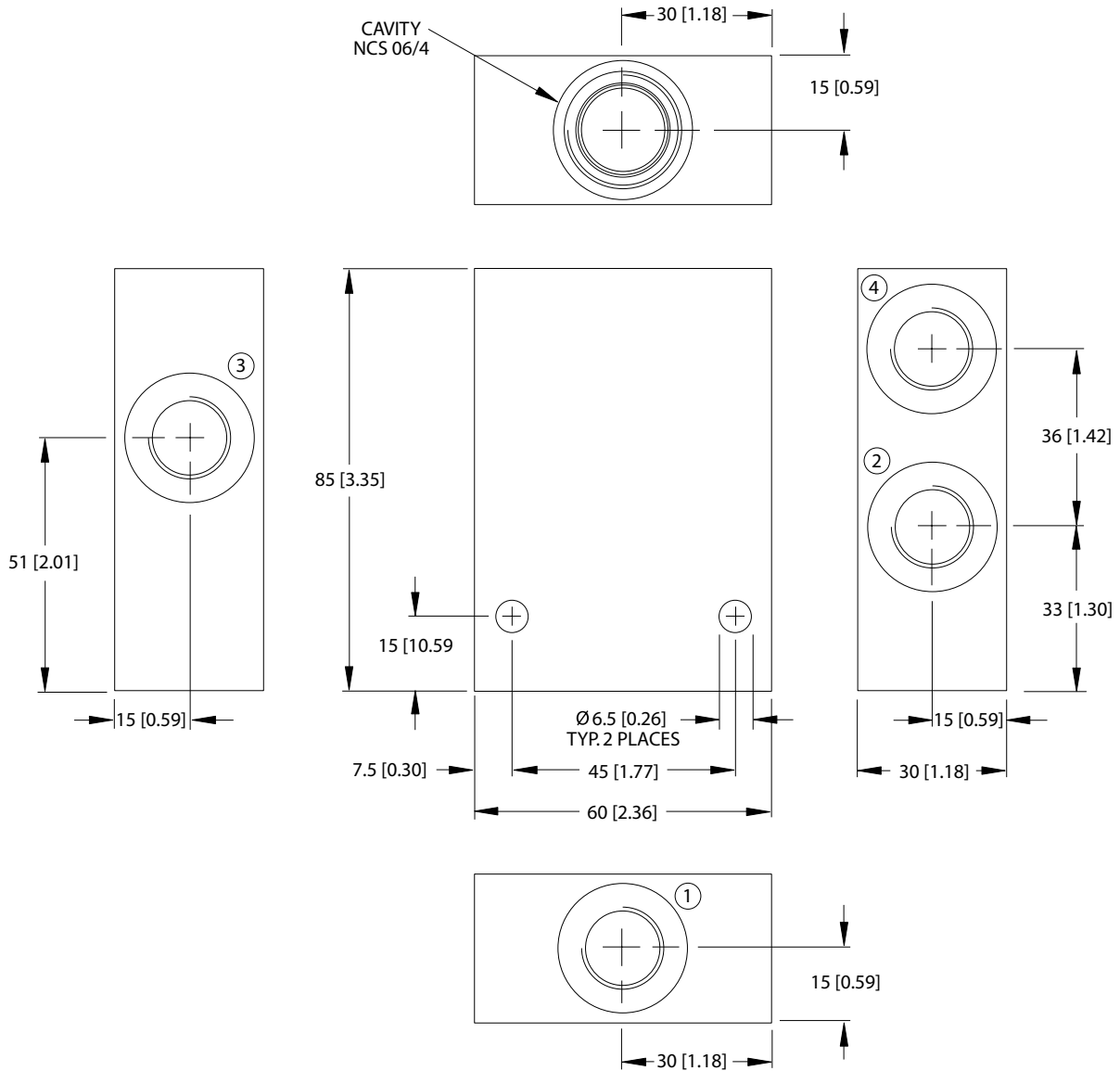
Dimensional drawings



Options

Order Code	Description	Style	Ports
NCS06/4-L-1/2	Aluminum Housing	L	1/2 BSP
NCS06/4-L-85	Aluminum Housing	L	SAE #8

Dimensional drawings

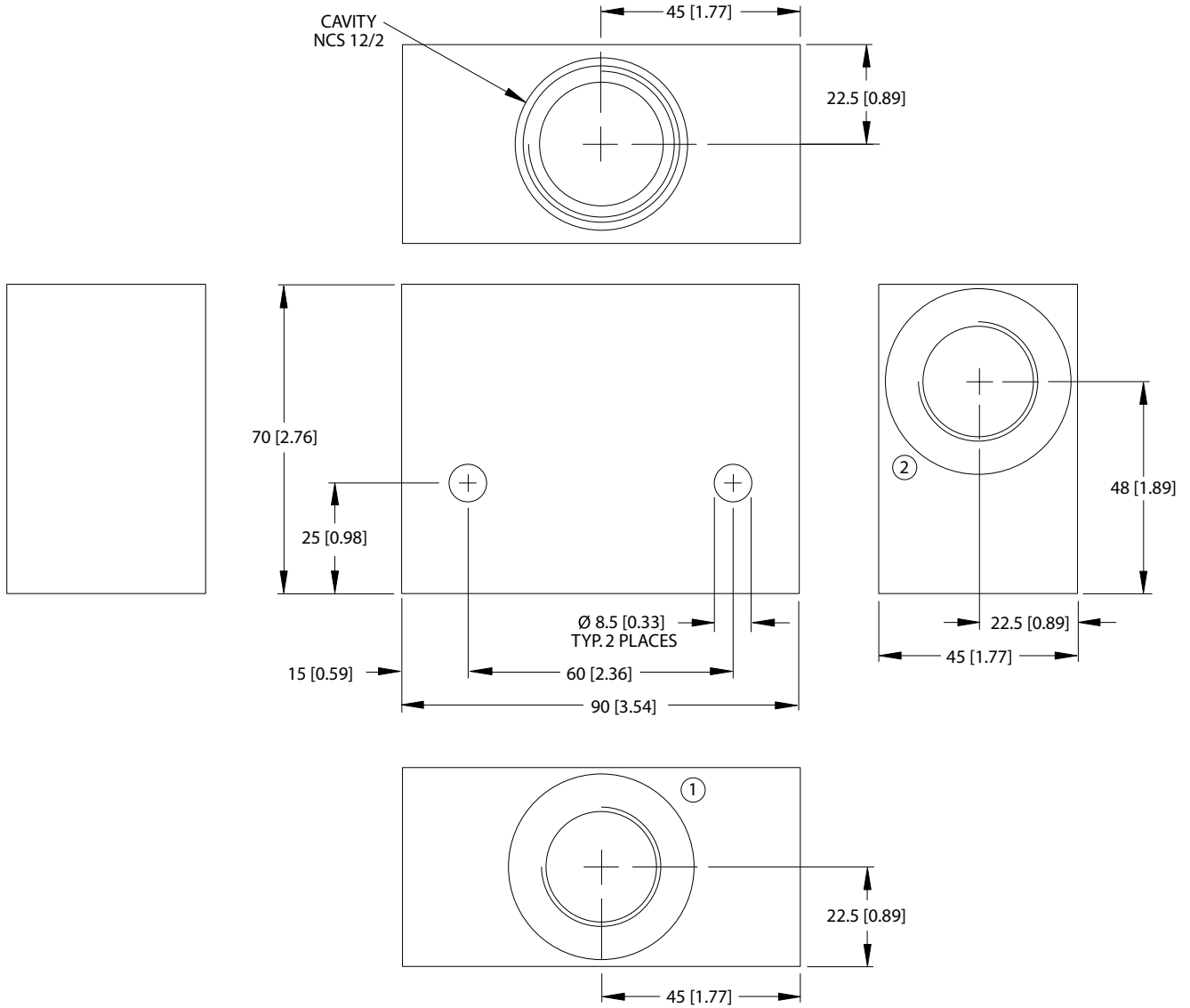


Housings
 NCS06/4 (L)

Options

Order Code	Description	Style	Ports
NCS06/4-L-3/8	Aluminum Housing	L	3/8 BSP
NCS06/4-L-6S	Aluminum Housing	L	SAE #6

Dimensional drawings

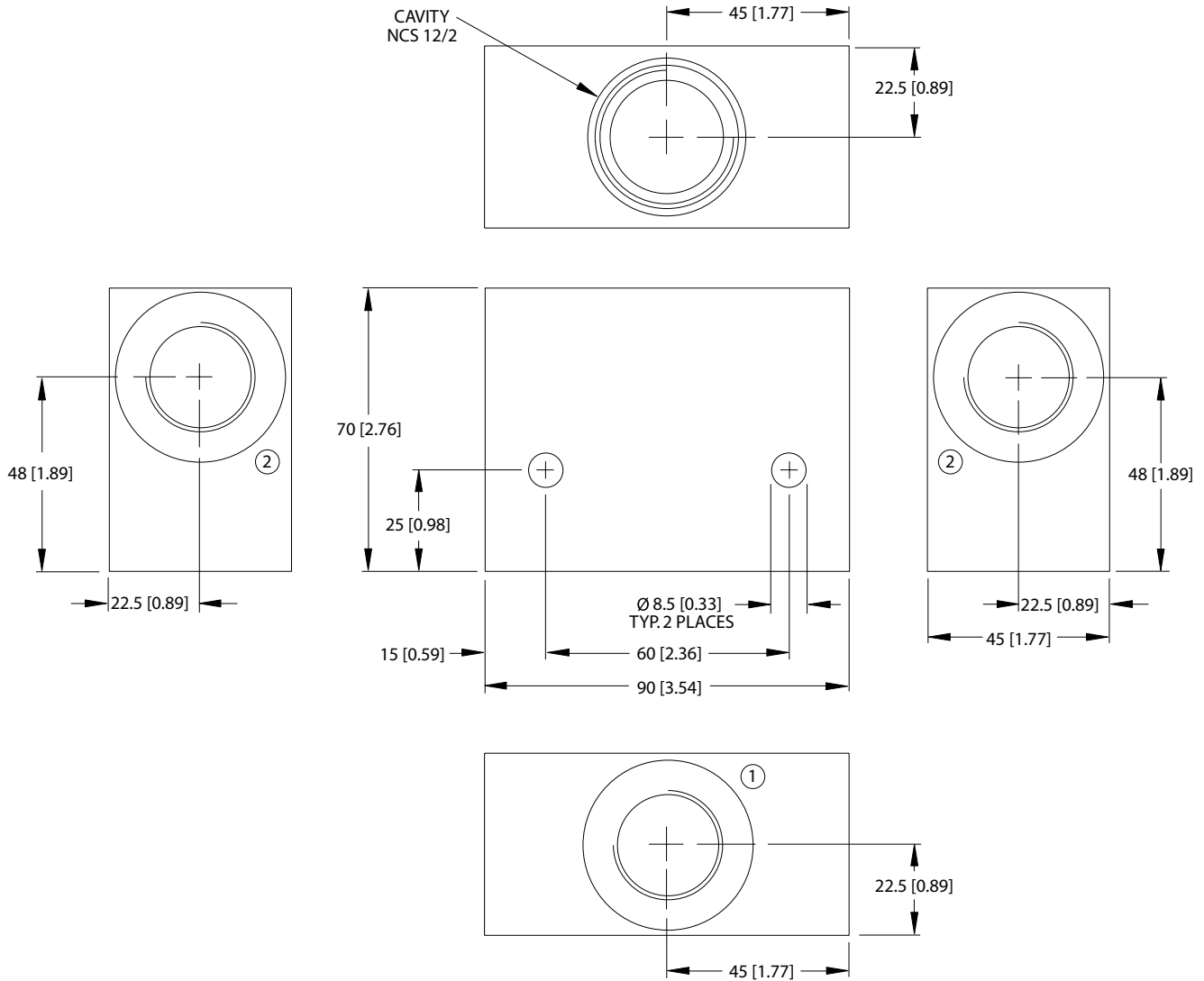


Housings
 NCS12/2 (DG)

Options

Order Code	Description	Style	Ports
NCS12/2-DG-1/2	Aluminum Housing	DG	1/2 BSP
NCS12/2-DG-12S	Aluminum Housing	DG	SAE #12
NCS12/2-DG-3/4	Aluminum Housing	DG	3/4 BSP
NCS12/2-DG-8S	Aluminum Housing	DG	SAE #8

Dimensional drawings

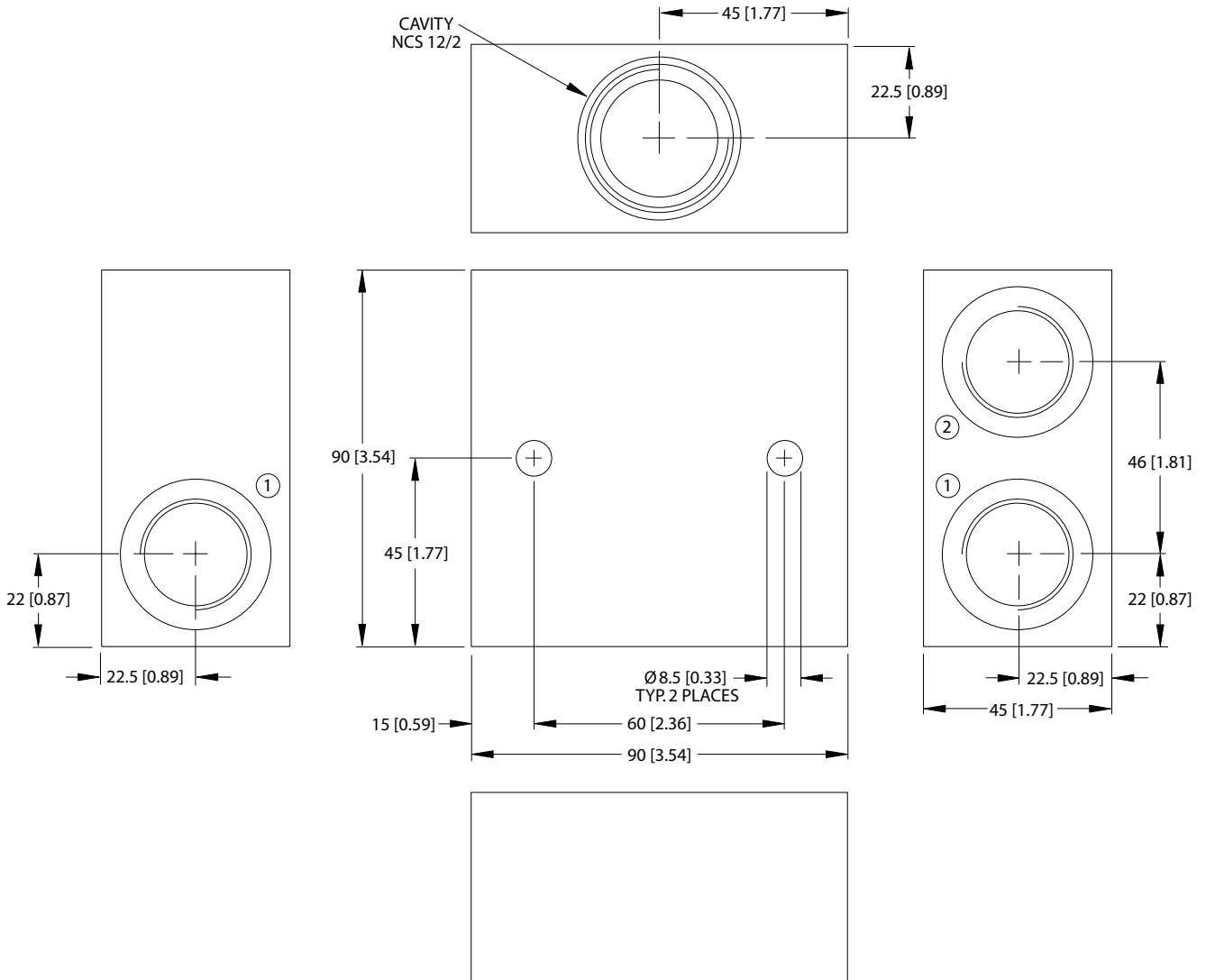


Housings
 NCS12/2 (LG1)

Options

Order Code	Description	Style	Ports
NCS12/2-LG1-12S	Aluminum Housing, Two #2 Ports	LG1	SAE #12
NCS12/2-LG1-8S	Aluminum Housing, Two #2 Ports	LG1	SAE #8
NCS12/2-LG1-6B	Aluminum Housing, Two #2 Ports	LG1	3/4 BSP
NCS12/2-LG1-4B	Aluminum Housing, Two #2 Ports	LG1	1/2 BSP

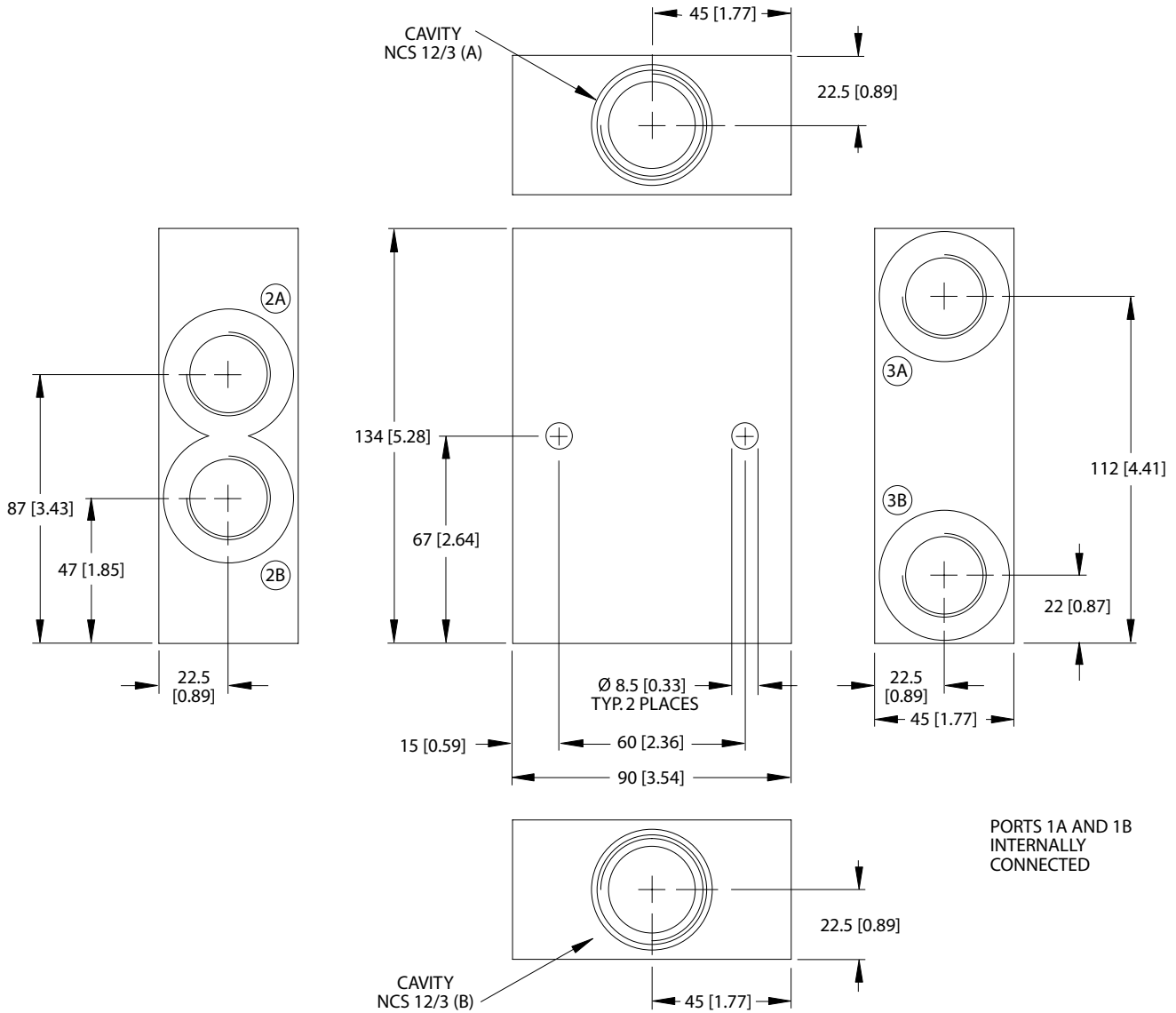
Dimensional drawings



Options

Order Code	Description	Style	Ports
NCS12/2-LG2-1/2	Aluminum Housing, Two #1 Ports	LG2	1/2 BSP
NCS12/2-LG2-12S	Aluminum Housing, Two #1 Ports	LG2	SAE #12
NCS12/2-LG2-3/4	Aluminum Housing, Two #1 Ports	LG2	3/4 BSP
NCS12/2-LG2-8S	Aluminum Housing, Two #1 Ports	LG2	SAE #8

Dimensional drawings

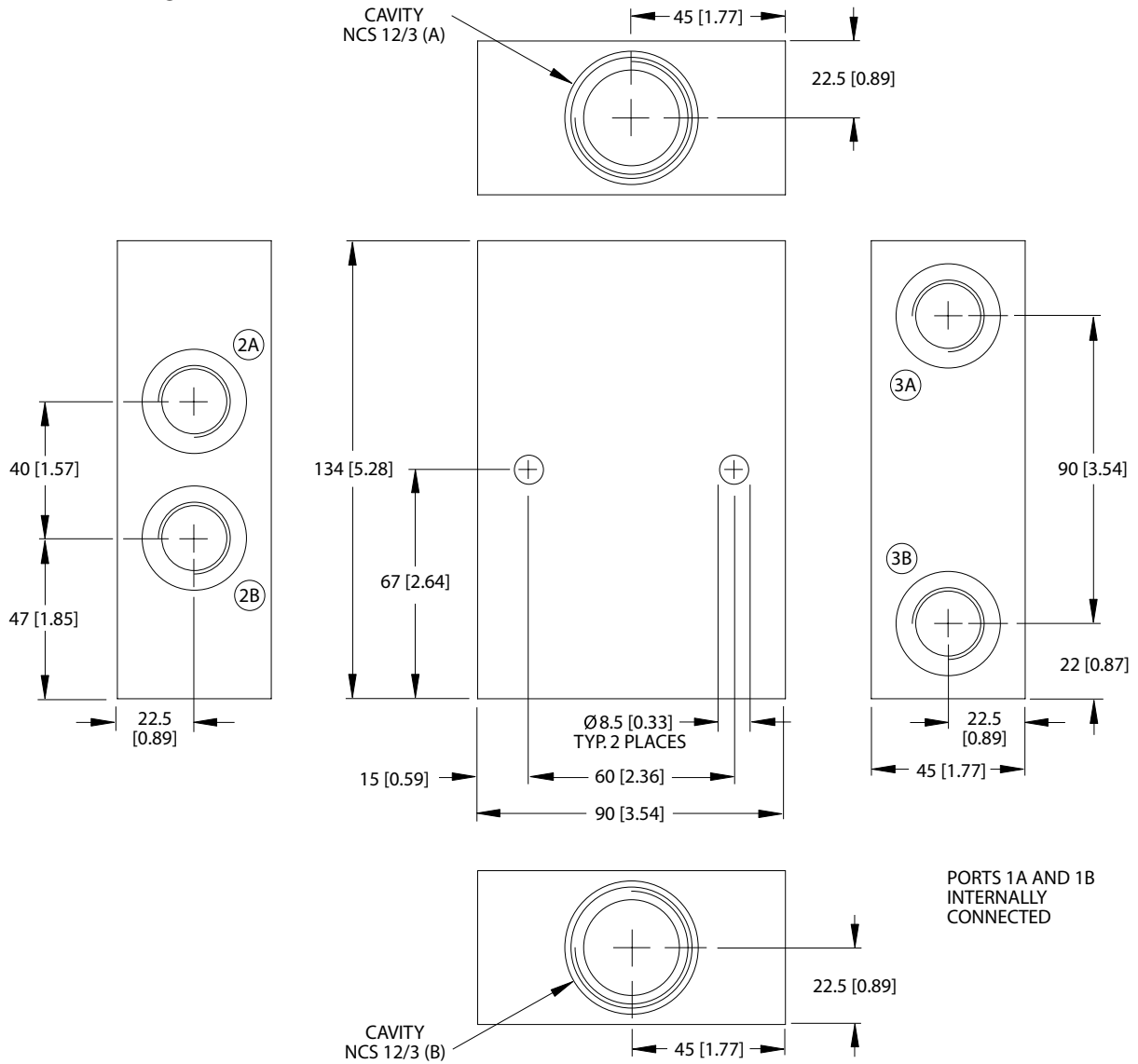


Housings
 NCS12/3 (DL - SAE Ports)

Options

Order Code	Description	Style	Ports
NCS12/3-DL-12S	Alum. Hsg., 2 Cavities w/#1 Ports Conn.	DL	SAE #12
NCS12/3-DL-8S	Alum. Hsg., 2 Cavities w/#1 Ports Conn.	DL	SAE #8

Dimensional drawings

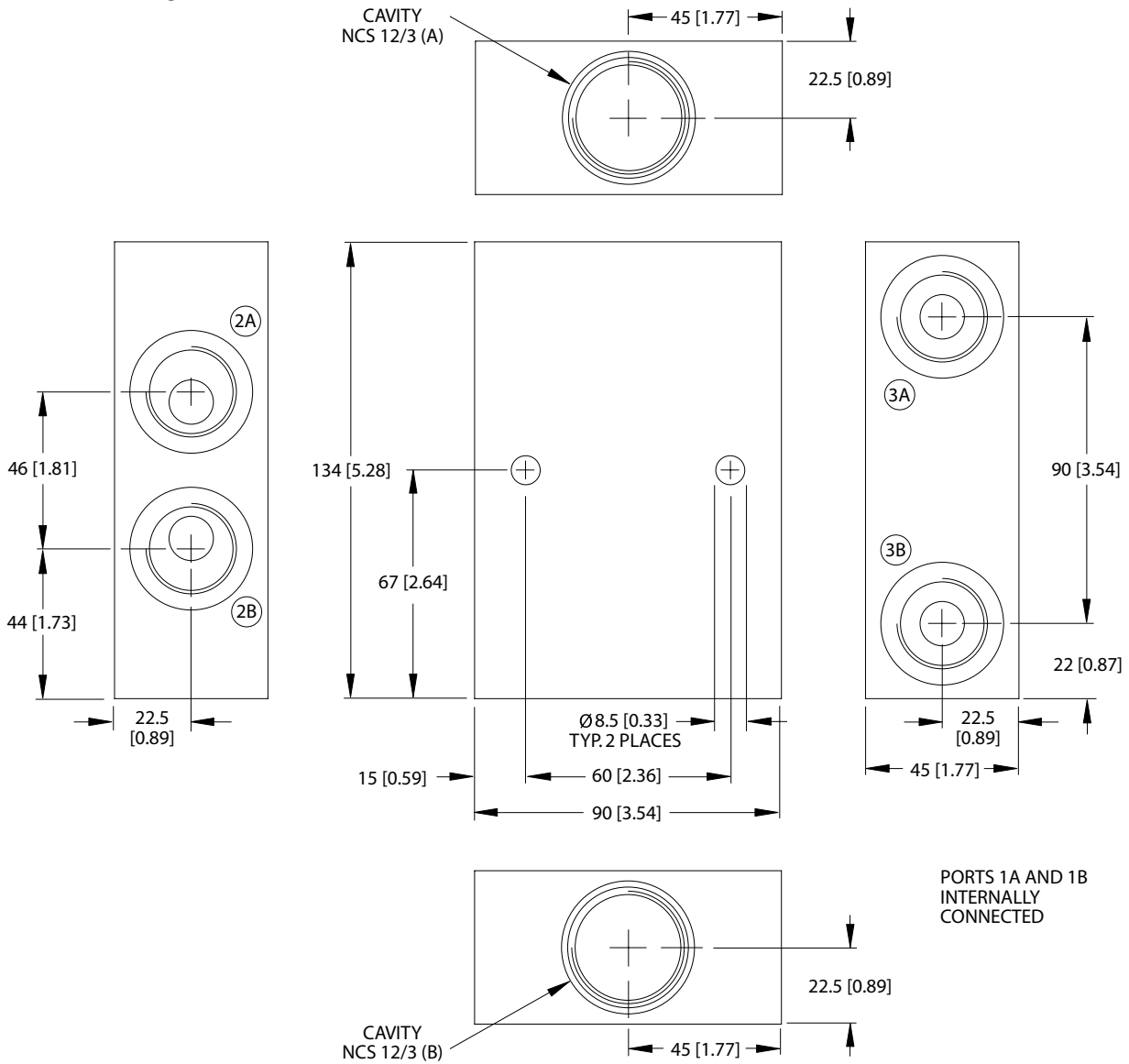


Housings
 NCS12/3 (DL - 1/2 BSP Ports)

Options

Order Code	Description	Style	Ports
NCS12/3-DL-1/2	Alum. Hsg., 2 Cavities w/#1 Ports Conn.	DL	1/2 BSP

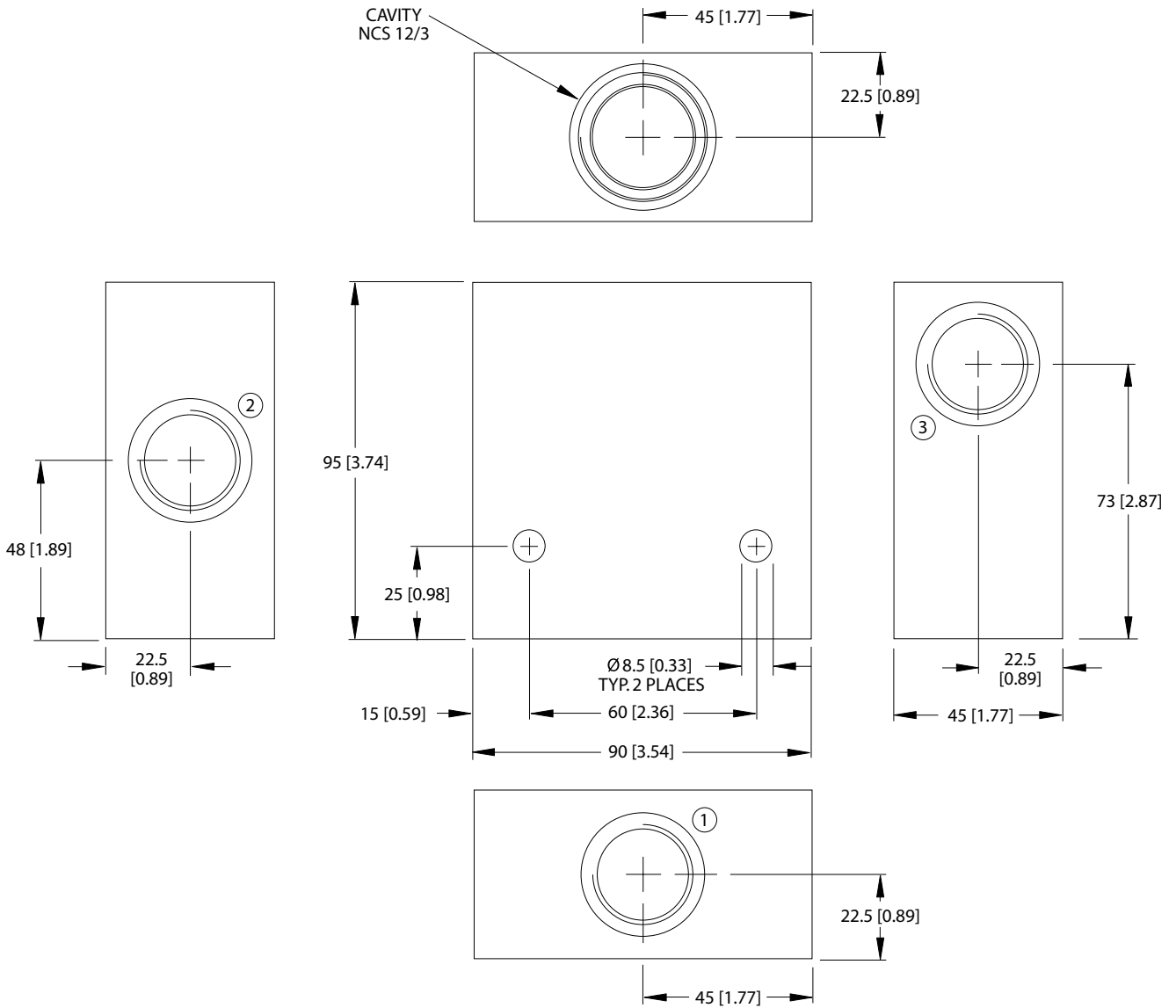
Dimensional drawings



Options

Order Code	Description	Style	Ports
NCS12/3-DL-3/4	Alum. Hsg., 2 Cavities w/#1 Ports Conn.	DL	3/4 BSP

Dimensional drawings

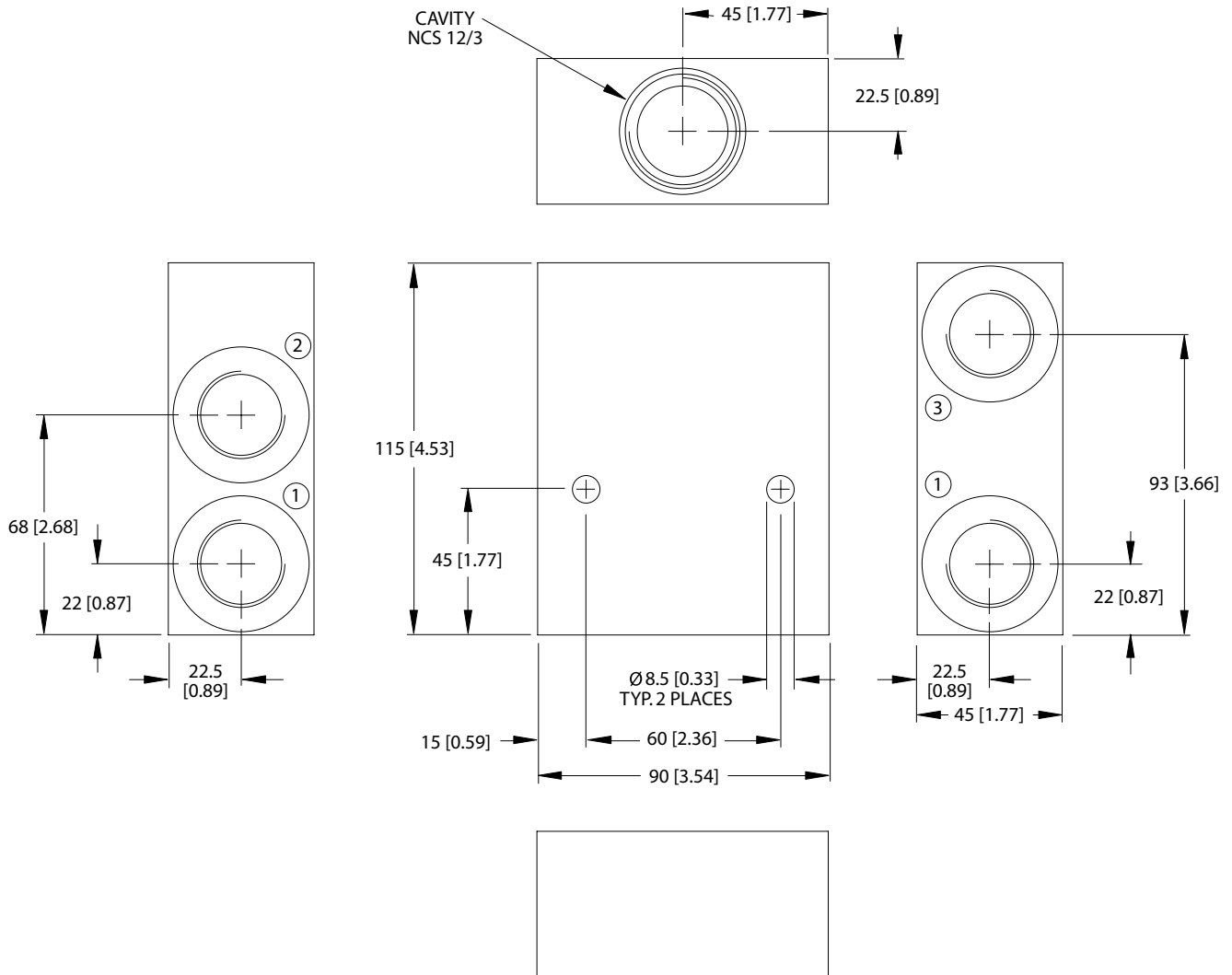


Housings
 NCS12/3 (SE)

Options

Order Code	Description	Style	Ports
NCS12/3-SE-1	Aluminum Housing	SE	1/2 BSP
NCS12/3-SE-12S	Aluminum Housing	SE	SAE #12
NCS12/3-SE-3/4	Aluminum Housing	SE	3/4 BSP
NCS12/3-SE-8S	Aluminum Housing	SE	SAE #8

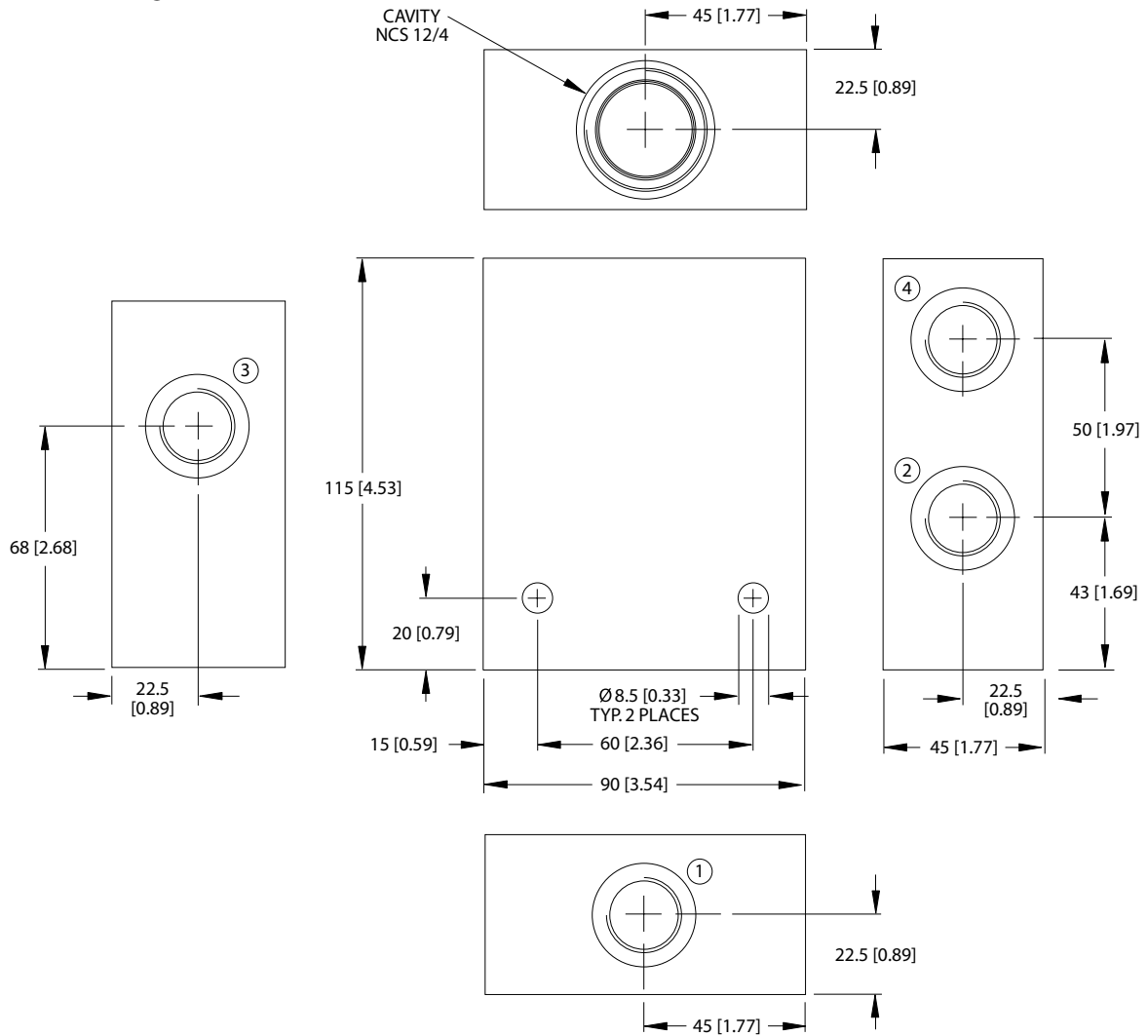
Dimensional drawings



Options

Order Code	Description	Style	Ports
NCS12/3-SI-1	Aluminum Housing, Two #1 Ports	SI	1/2 BSP
NCS12/3-SI-12S	Aluminum Housing, Two #1 Ports	SI	SAE #12
NCS12/3-SI-3/4	Aluminum Housing, Two #1 Ports	SI	3/4 BSP
NCS12/3-SI-8S	Aluminum Housing, Two #1 Ports	SI	SAE #8

Dimensional drawings

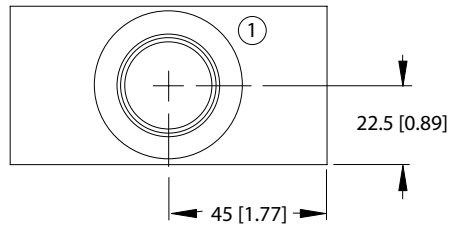
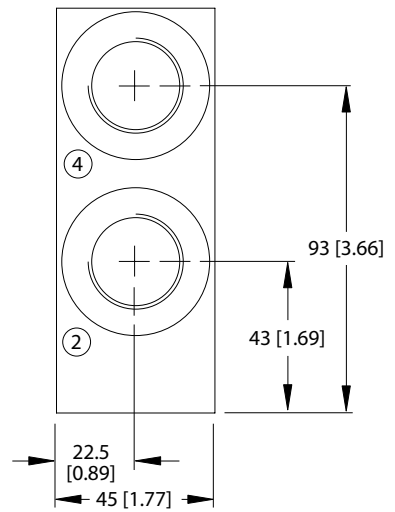
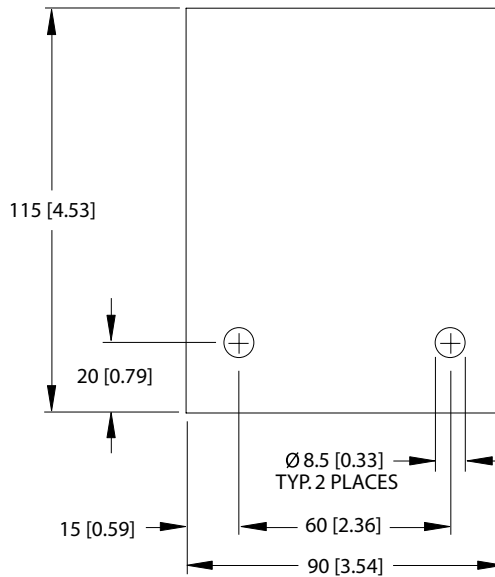
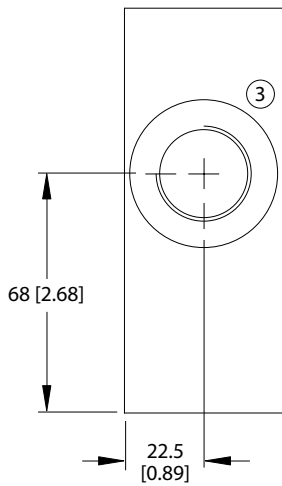
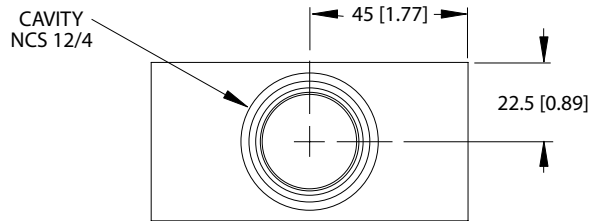


Housings
 NCS12/4 (L - BSP Ports)

Options

Order Code	Description	Style	Ports
NCS12/4-L-1	Aluminum Housing	L	1/2 BSP
NCS12/4-L-3/4	Aluminum Housing	L	3/4 BSP

Dimensional drawings

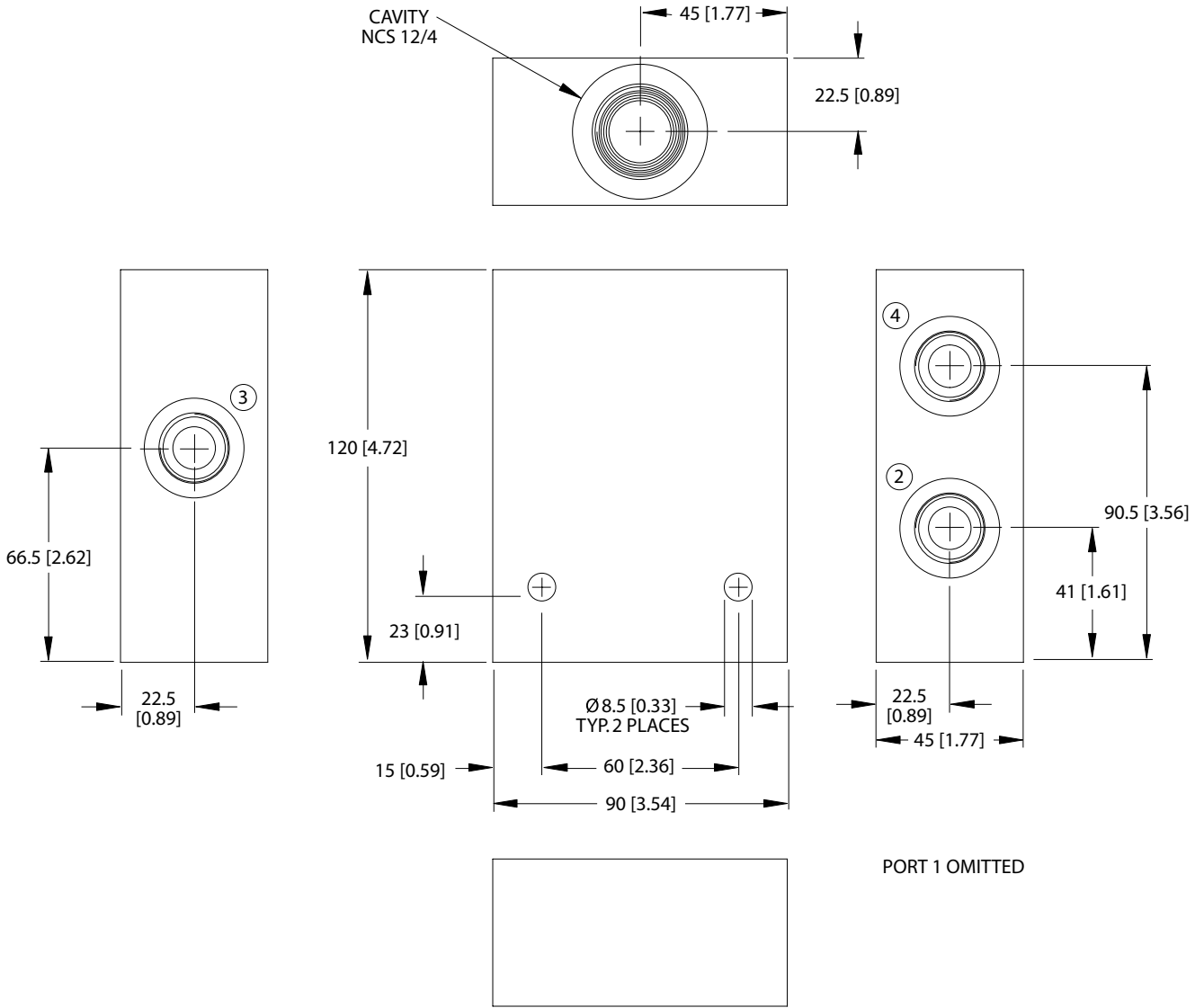


Housings
 NCS12/4 (L - SAE Ports)

Options

Order Code	Description	Style	Ports
NCS12/4-L-12S	Aluminum Housing	L	SAE #12

Dimensional drawings

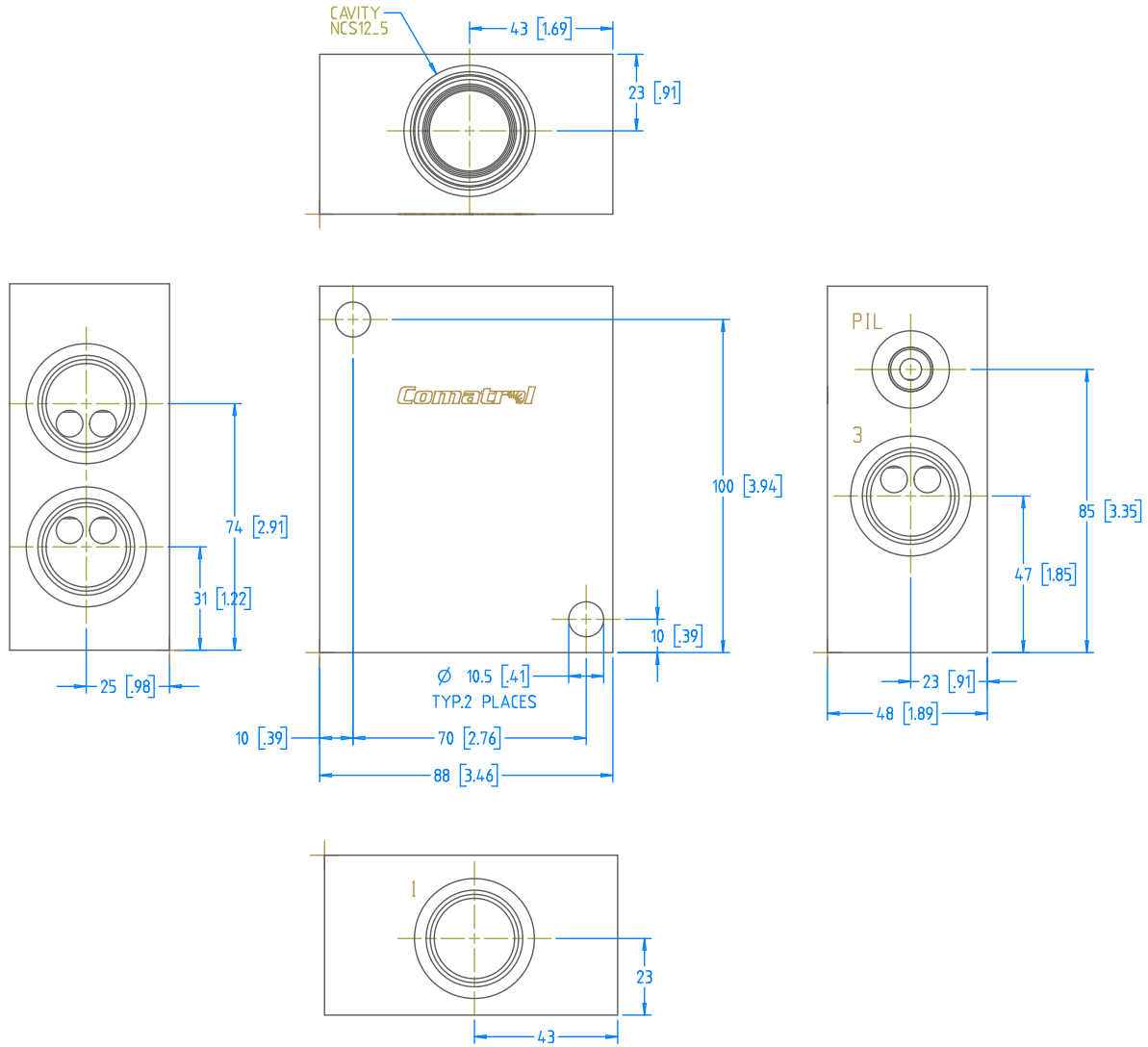


Housings
 NCS12/4 (HD)

Options

Order Code	Description	Style	Ports
NCS12/4-HD-1	Aluminum Housing, No Port #1	HD	1/2 BSP

Dimensional drawings

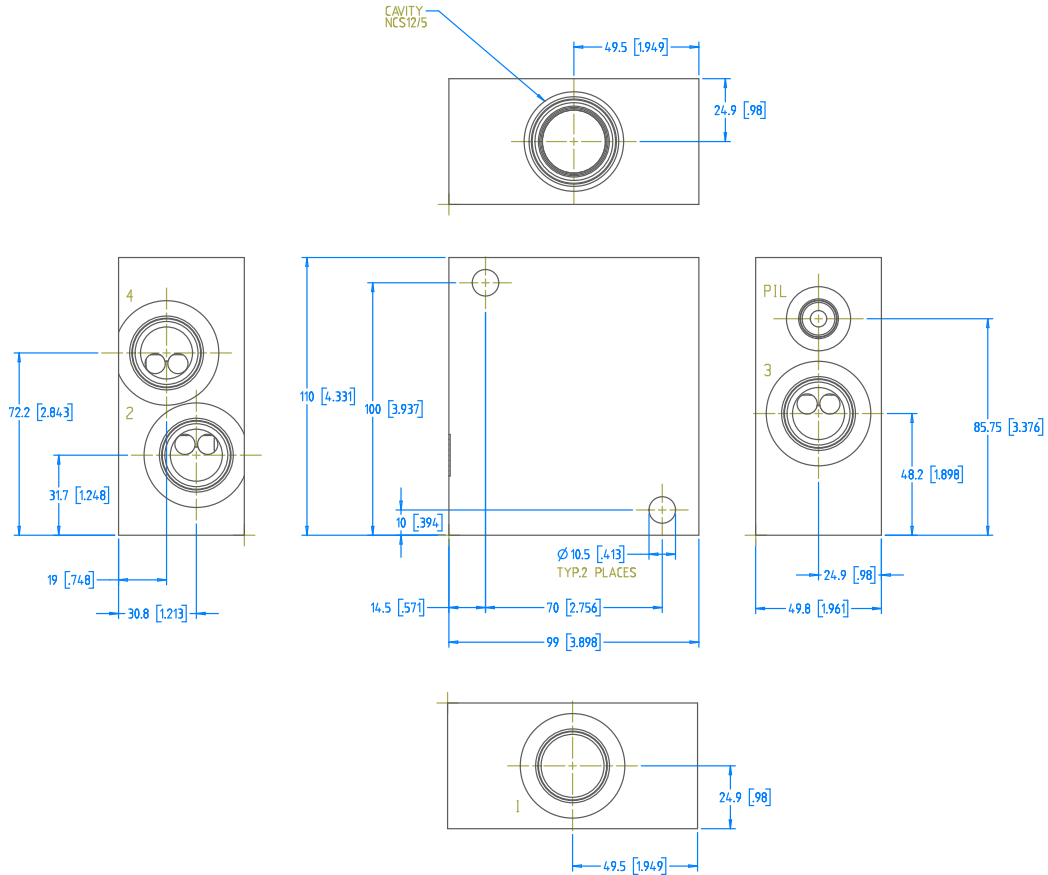


Housings
 NCS12/5 (Standard - BSP Ports)

Options

Order Code	Description	Style	Ports
NCS12/5-6B/2B	Aluminum Housing, Pilot at Port #5	Standard	1/2 BSP, 1/4 BSP
NCS12/5-6B/3B	Aluminum Housing, Pilot at Port #5	Standard	1/2 BSP, 3/8 BSP

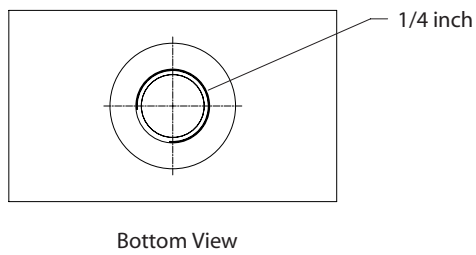
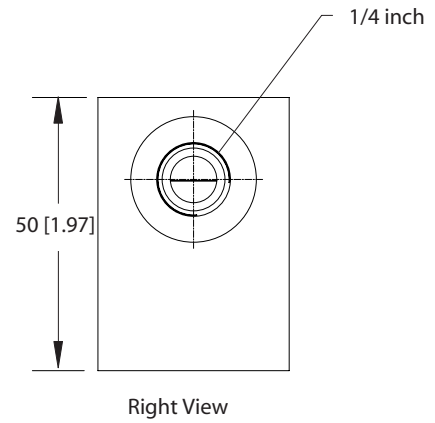
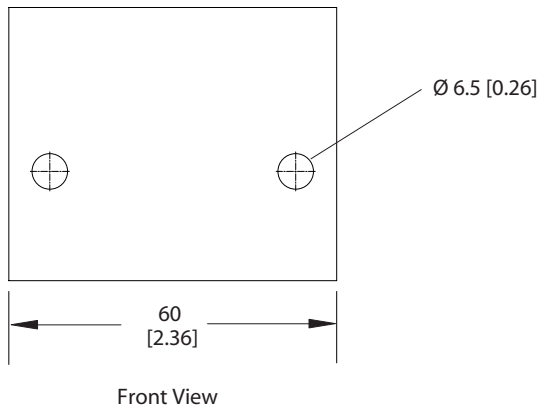
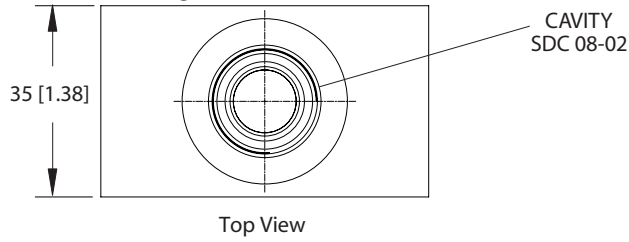
Dimensional drawings



Options

Order Code	Description	Style	Ports
NCS12/5-10S/6S	Aluminum Housing, Pilot at Port #5	Standard	SAE #10, #6
NCS12/5-12S/6S	Aluminum Housing, Pilot at Port #5	Standard	SAE #12, #6
NCS12/5-S10S/6S	Ductile Housing, Pilot at Port #5	Standard	SAE #10, #6
NCS12/5-S12S/6S	Ductile Housing, Pilot at Port #5	Standard	SAE #12, #6

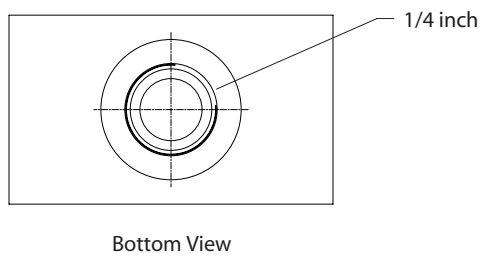
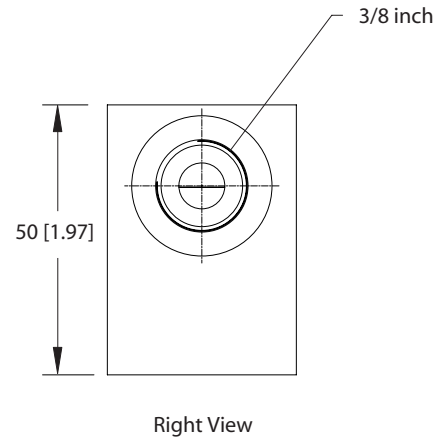
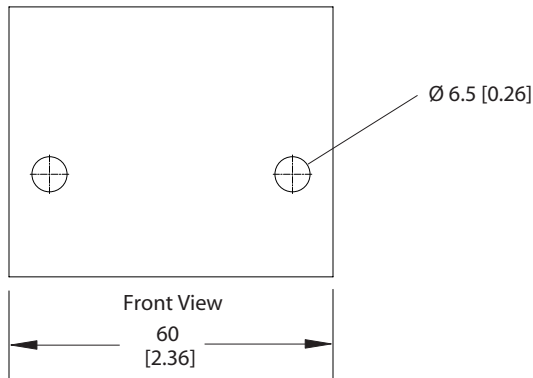
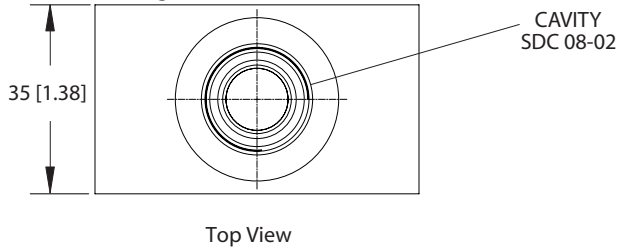
Dimensional drawings



Options

Order Code	Description	Style	Ports
SDC08-2-DG-2B	Aluminum Housing, Two #2 Ports	DG2	1/4 BSP

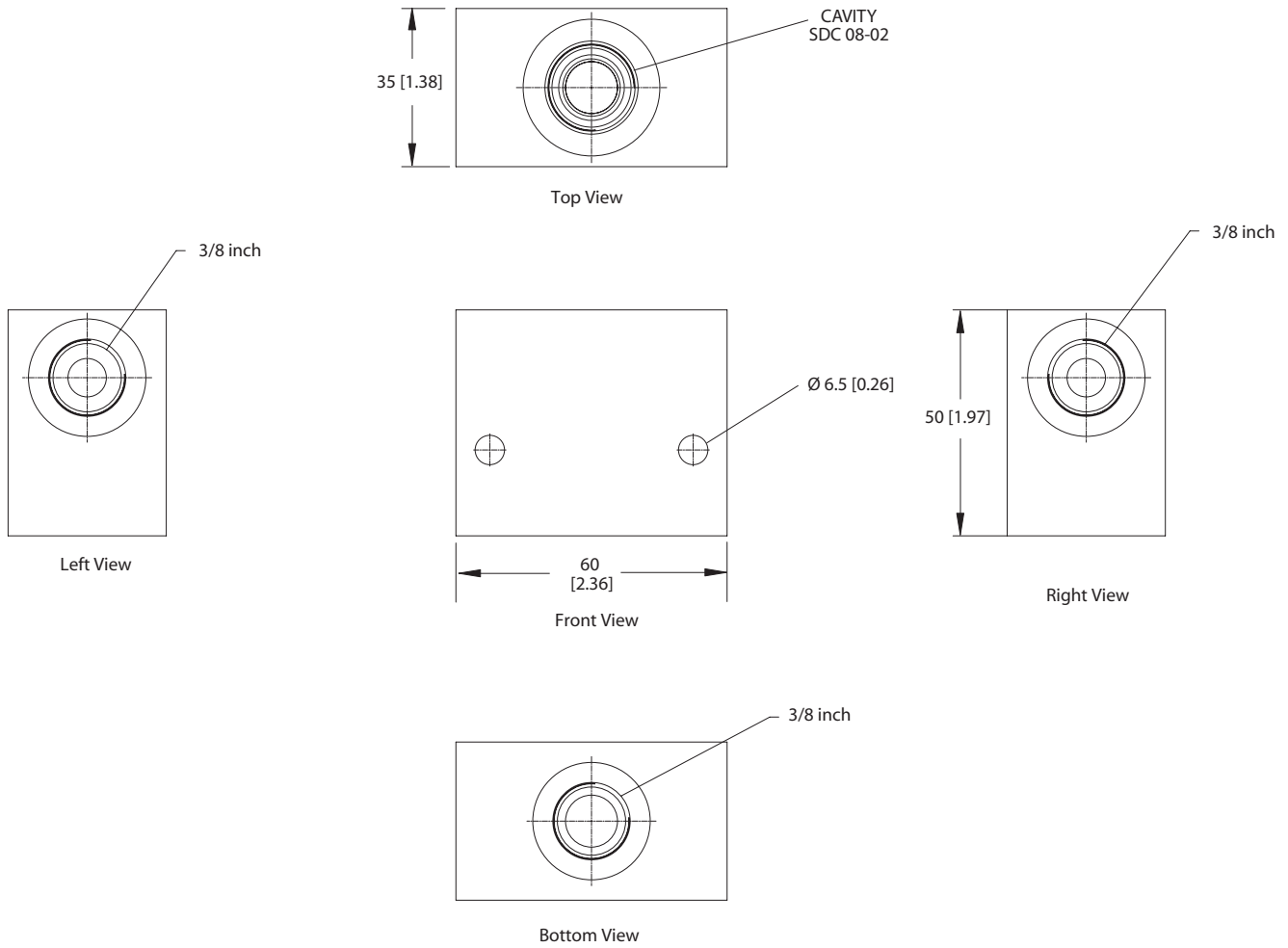
Dimensional drawings



Options

Order Code	Description	Style	Ports
SDC08-2-DG-3B	Aluminum Housing, Two #2 Ports	DG3	3/8 BSP

Dimensional drawings

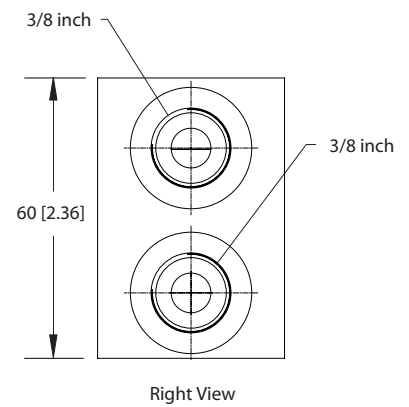
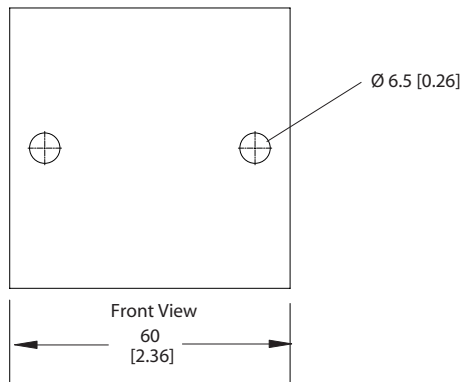
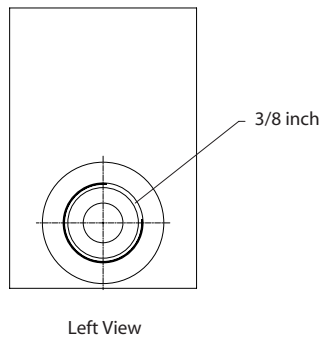
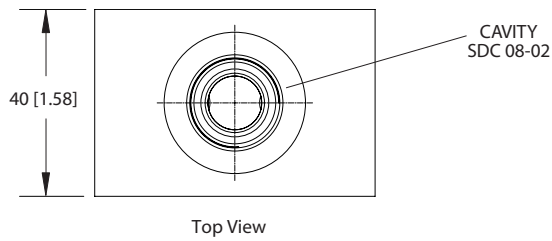


Housings
SDC08-2 (LG1)

Options

Order Code	Description	Style	Ports
SDC08-2-LG1-3B	Aluminum Housing	L	3/8 BSP

Dimensional drawings

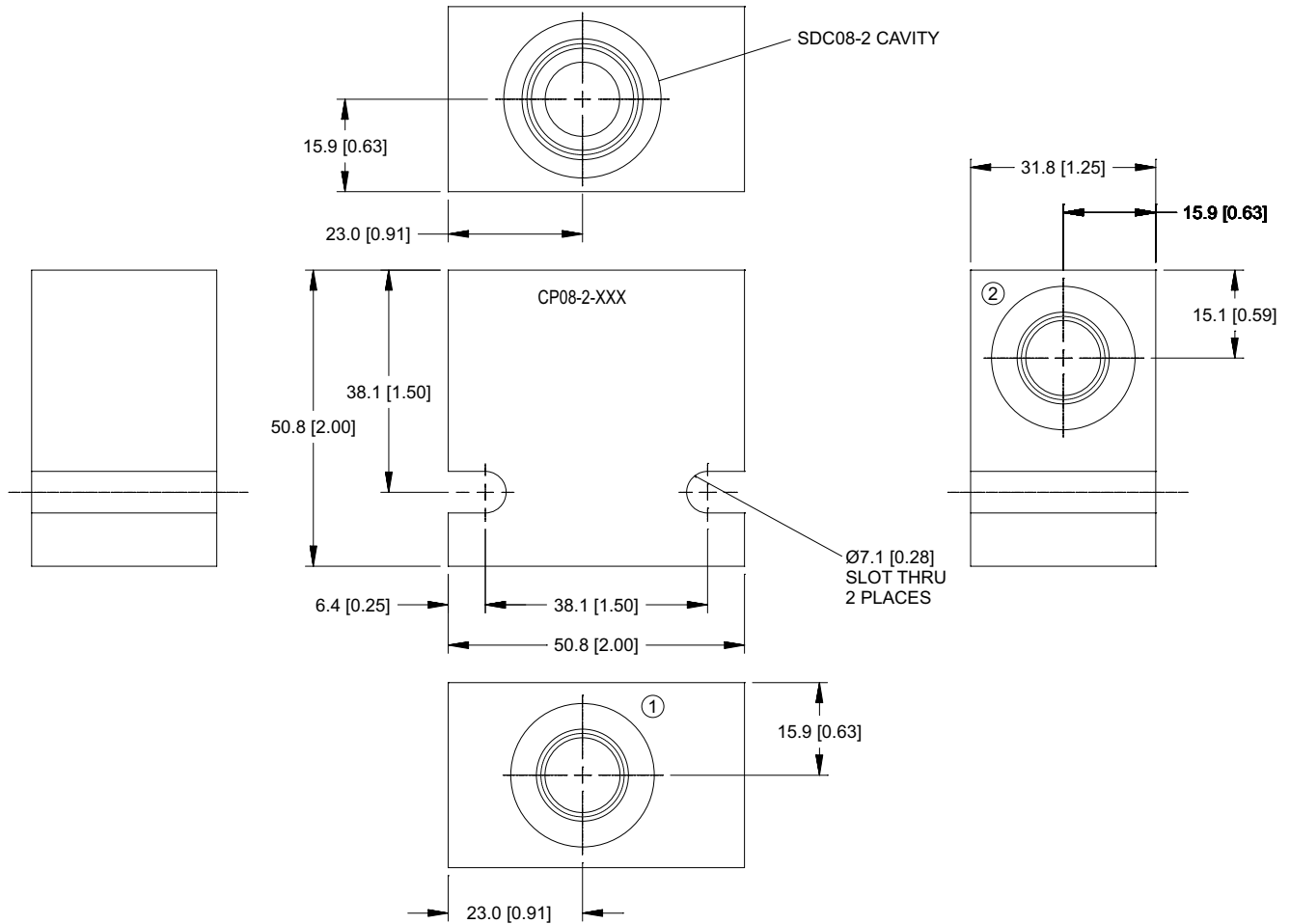


Housings
 SDC08-2 (LG2)

Options

Order Code	Description	Style	Ports
SDC08-2-LG2-3B	Aluminum Housing	L	3/8 BSP

Dimensional drawings

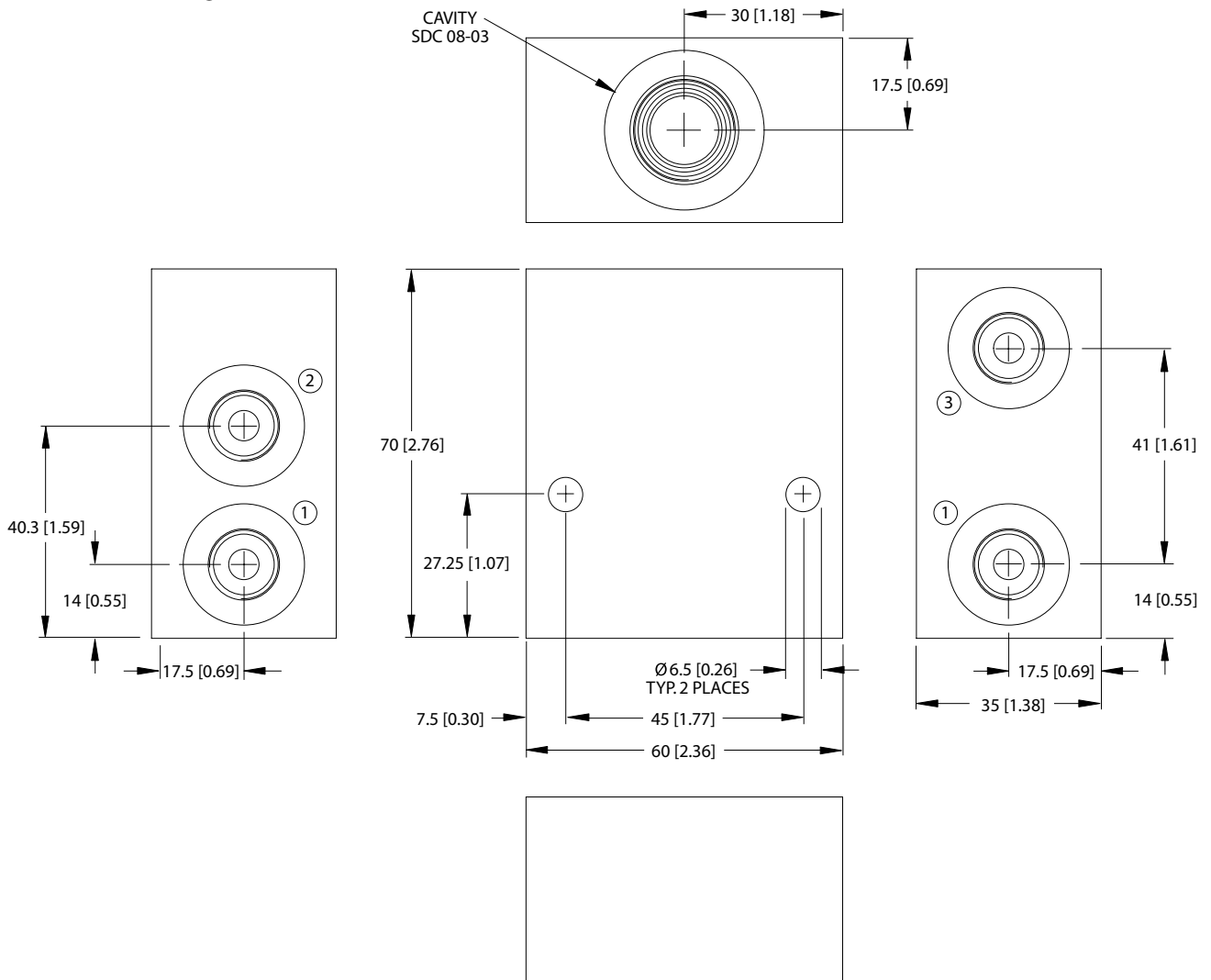


Housings
SDC08-2 (Standard)

Options

Order Code	Description	Style	Ports
CP08-2-4S	Aluminum Housing	Standard	SAE #4
CP08-2-6S	Aluminum Housing	Standard	SAE #6
CP08-2-S4S	Steel Housing	Standard	SAE #4

Dimensional drawings

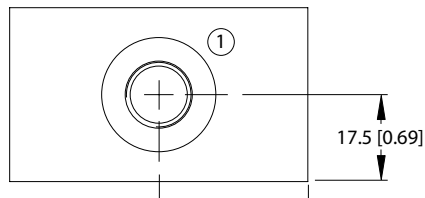
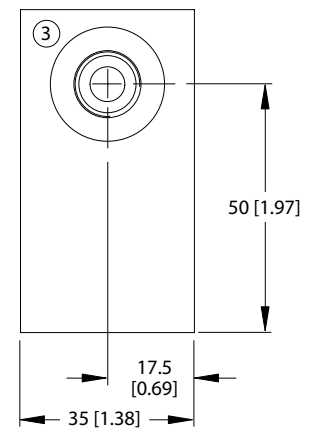
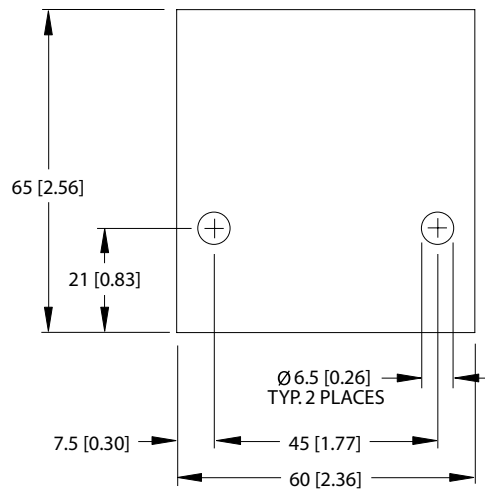
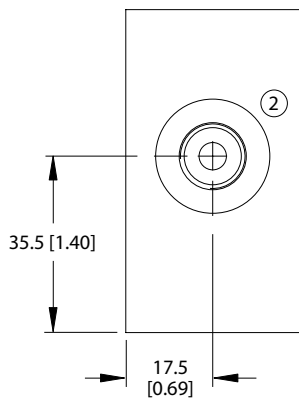
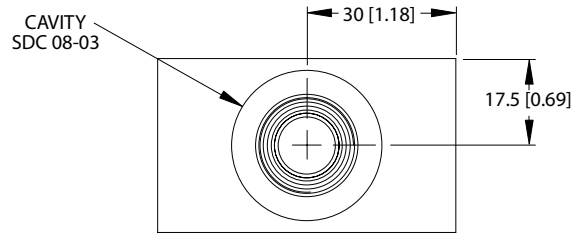


Housings
 SDC08-3 (HI)

Options

Order Code	Description	Style	Ports
SDC08-3-HI-2B	Aluminum Housing, Two #1 Ports	HI	1/4 BSP

Dimensional drawings

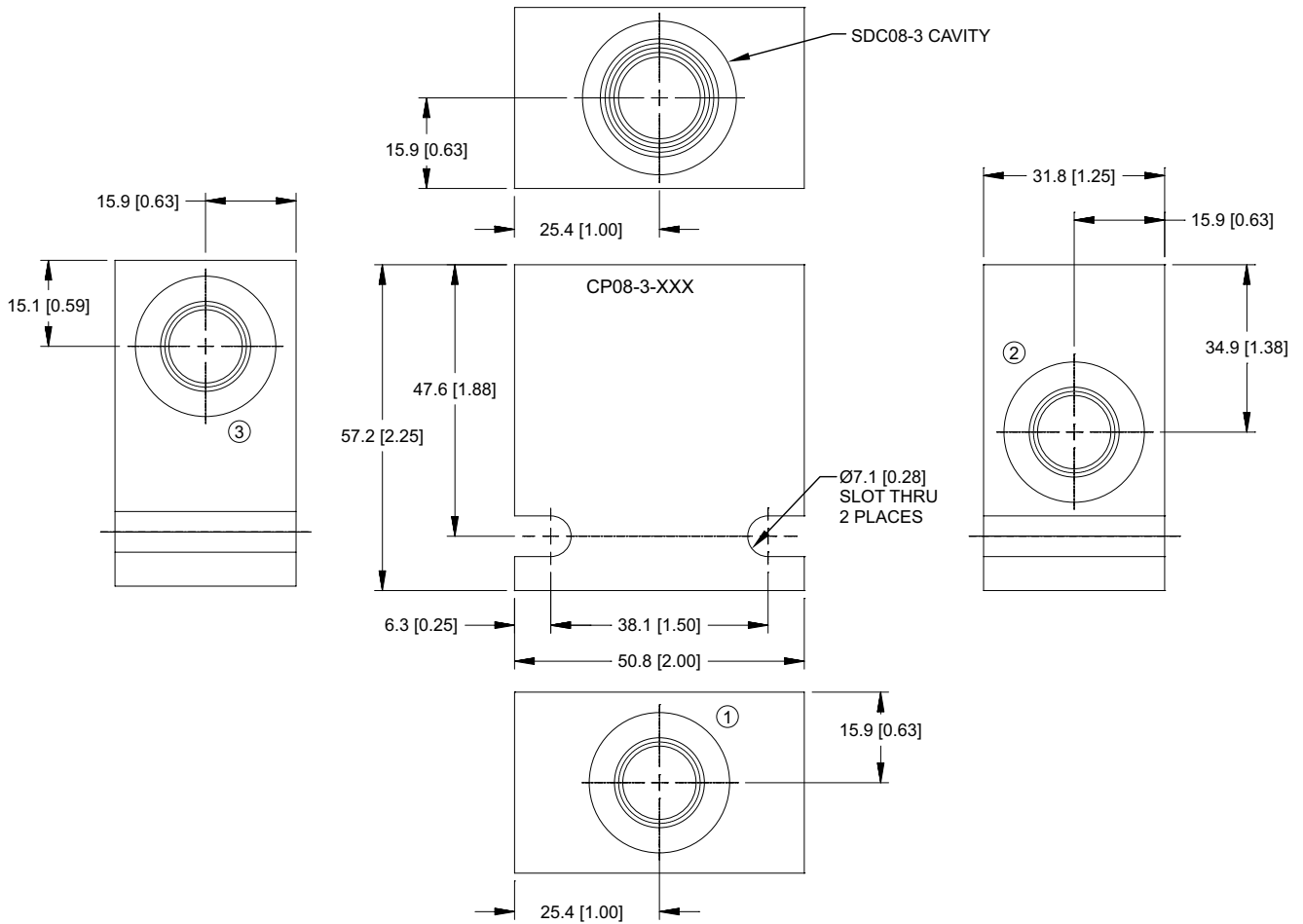


Options

Order Code	Description	Style	Ports
SDC08-3-SE-2B	Aluminum Housing	SE	1/4 BSP
SDC08-3-SE-3B	Aluminum Housing	SE	3/8 BSP

Housings
SDC08-2 (SE)

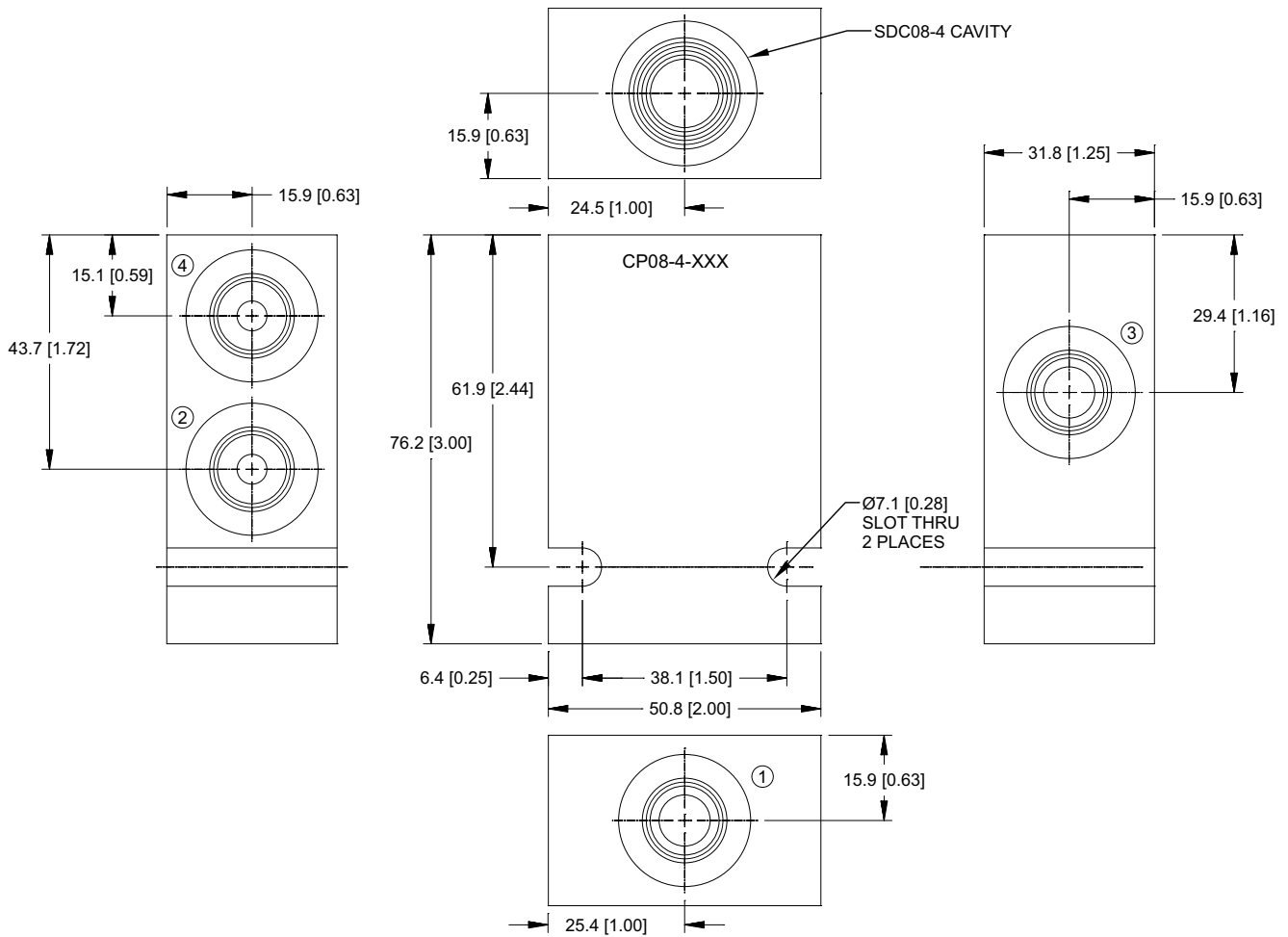
Dimensional drawings



Options

Order Code	Description	Style	Ports
CP08-3-4S	Aluminum Housing	Standard	SAE #4
CP08-3-6S	Aluminum Housing	Standard	SAE #6
CP08-3-S4S	Steel Housing	Standard	SAE #4
CP08-3-S6S	Steel Housing	Standard	SAE #6

Dimensional drawings

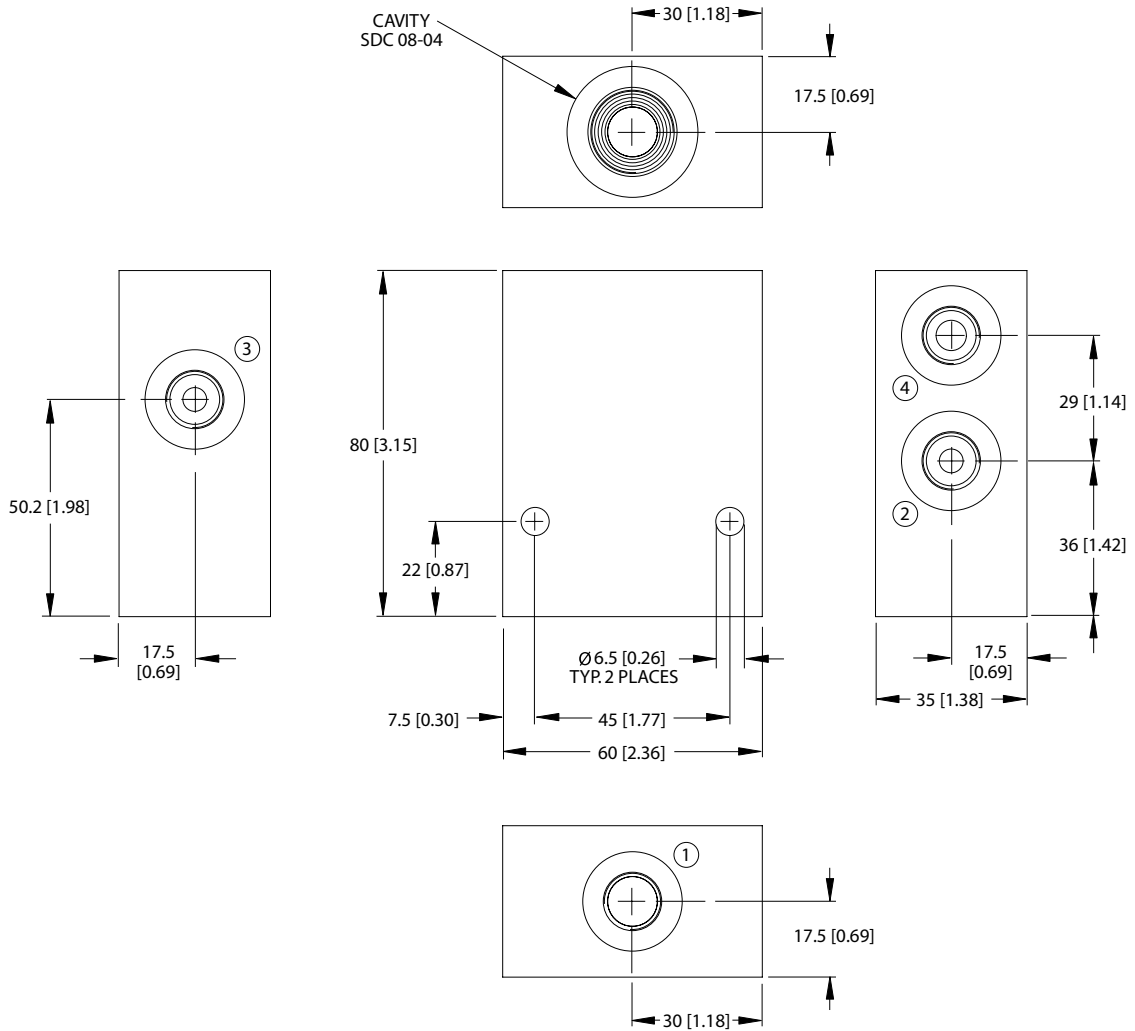


Housings
 SDC08-4 (Standard)

Options

Order Code	Description	Style	Ports
CP08-4-4S	Aluminum Housing	Standard	SAE #4
CP08-4-6S	Aluminum Housing	Standard	SAE #6

Dimensional drawings

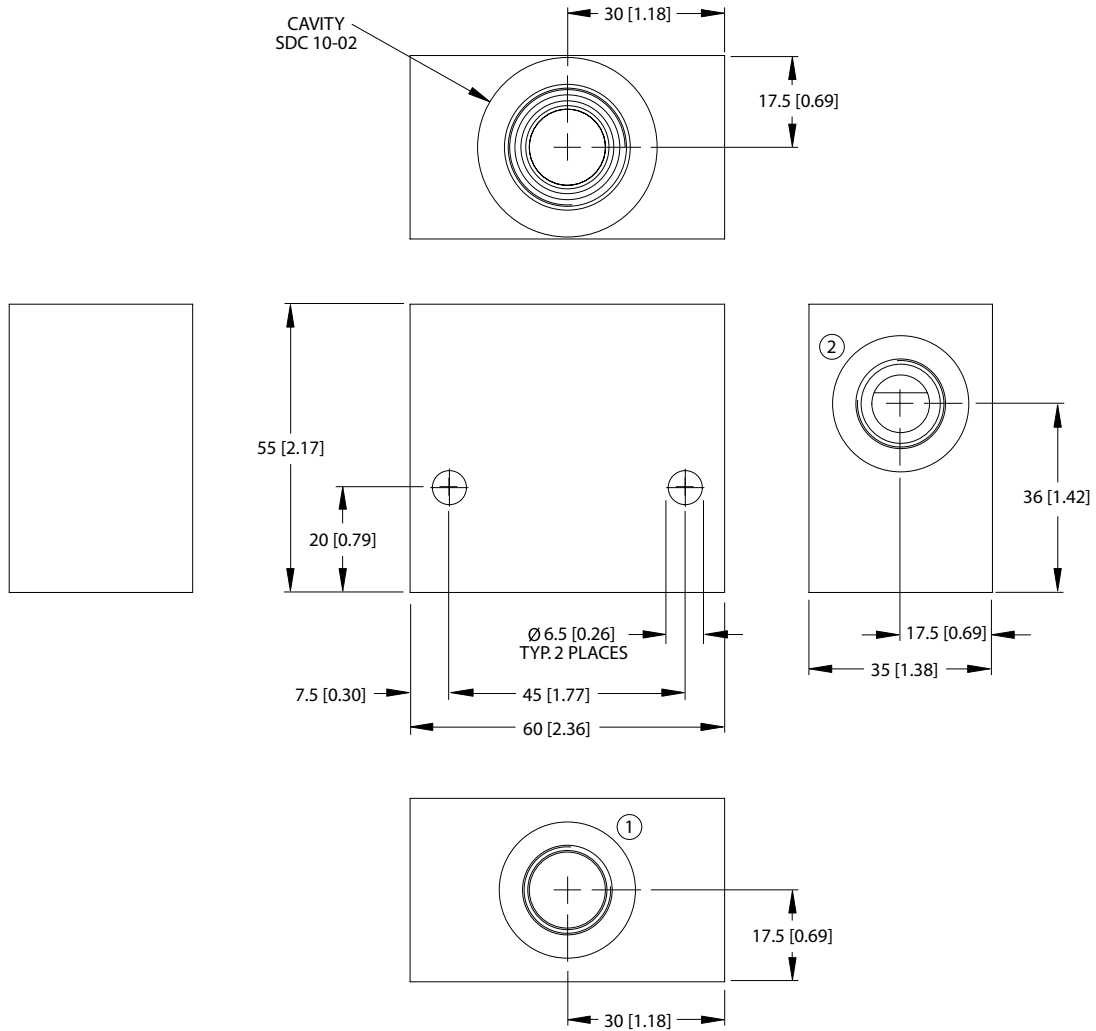


Housings
 SDC08-4 (L)

Options

Order Code	Description	Style	Ports
SDC08-4-L-2B	Aluminum Housing	L	1/4 BSP

Dimensional drawings

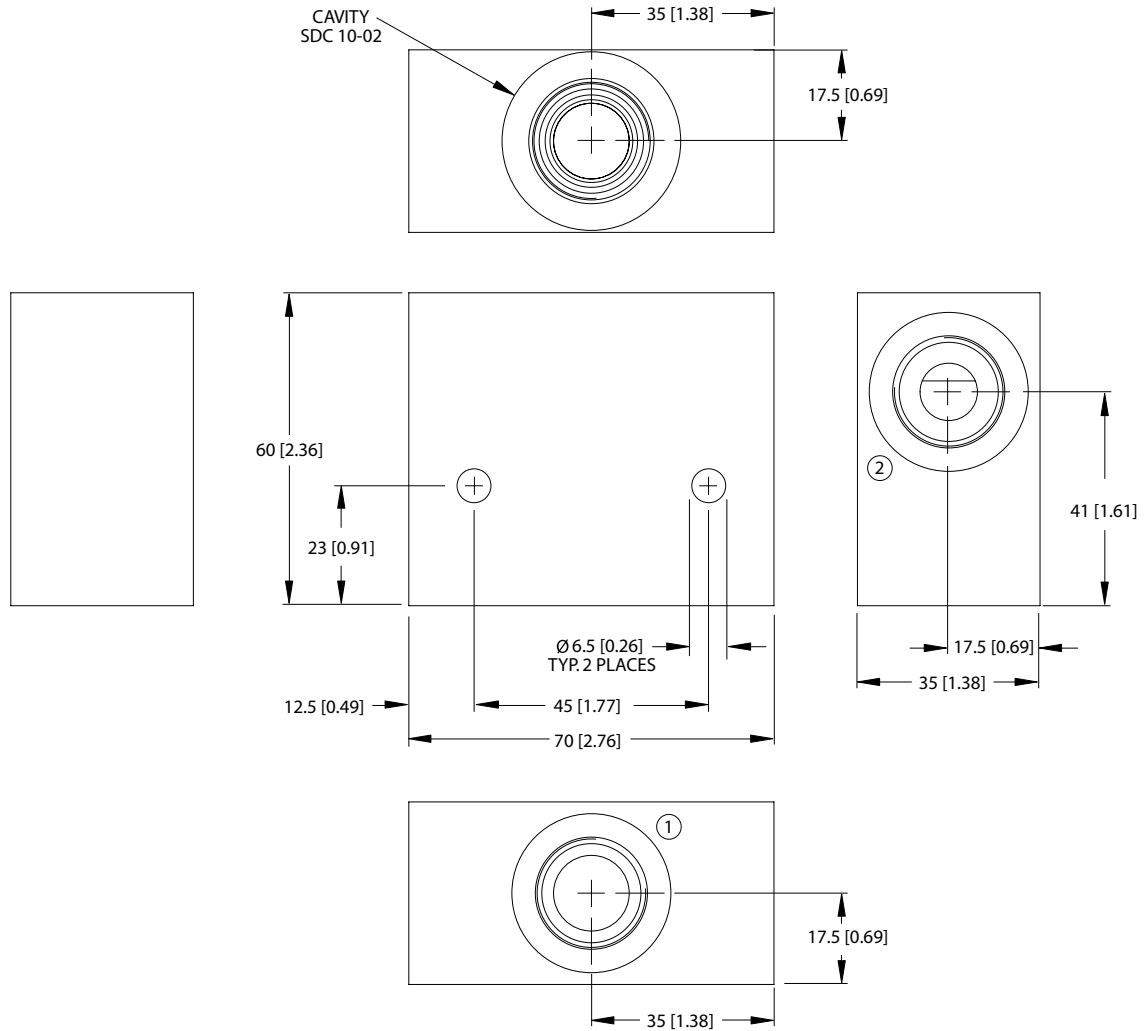


SDC10-2 (Standard - 3/8 BSP Ports)
 Housings

Options

Order Code	Description	Style	Ports
SDC10-2-3B	Aluminum Housing	Standard	3/8 BSP
SDC10-2-S3B	Ductile Housing	Standard	3/8 BSP

Dimensional drawings

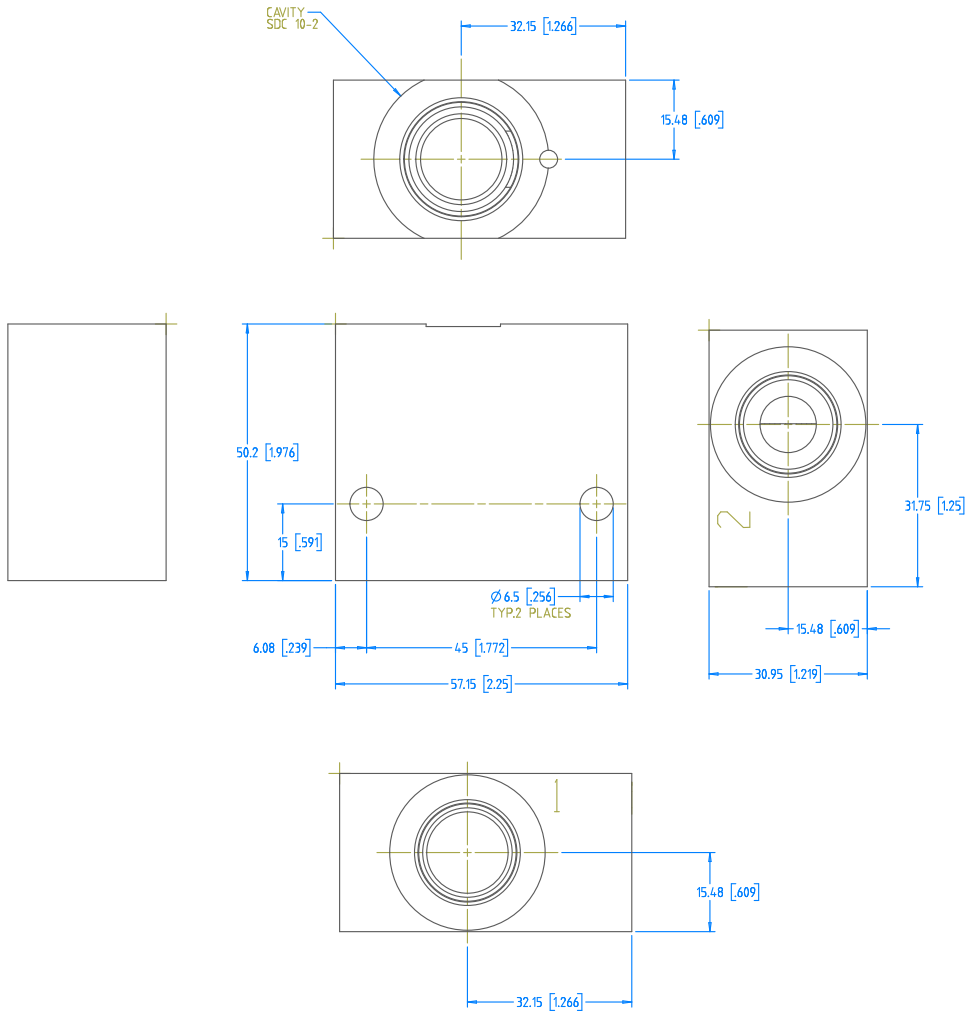


Housings
 SDC10-2(Standard - 1/2 BSP Ports)

Options

Order Code	Description	Style	Ports
SDC10-2-4B	Aluminum Housing	Standard	1/2 BSP
SDC10-2-54B	Ductile Housing	Standard	1/2 BSP

Dimensional drawings

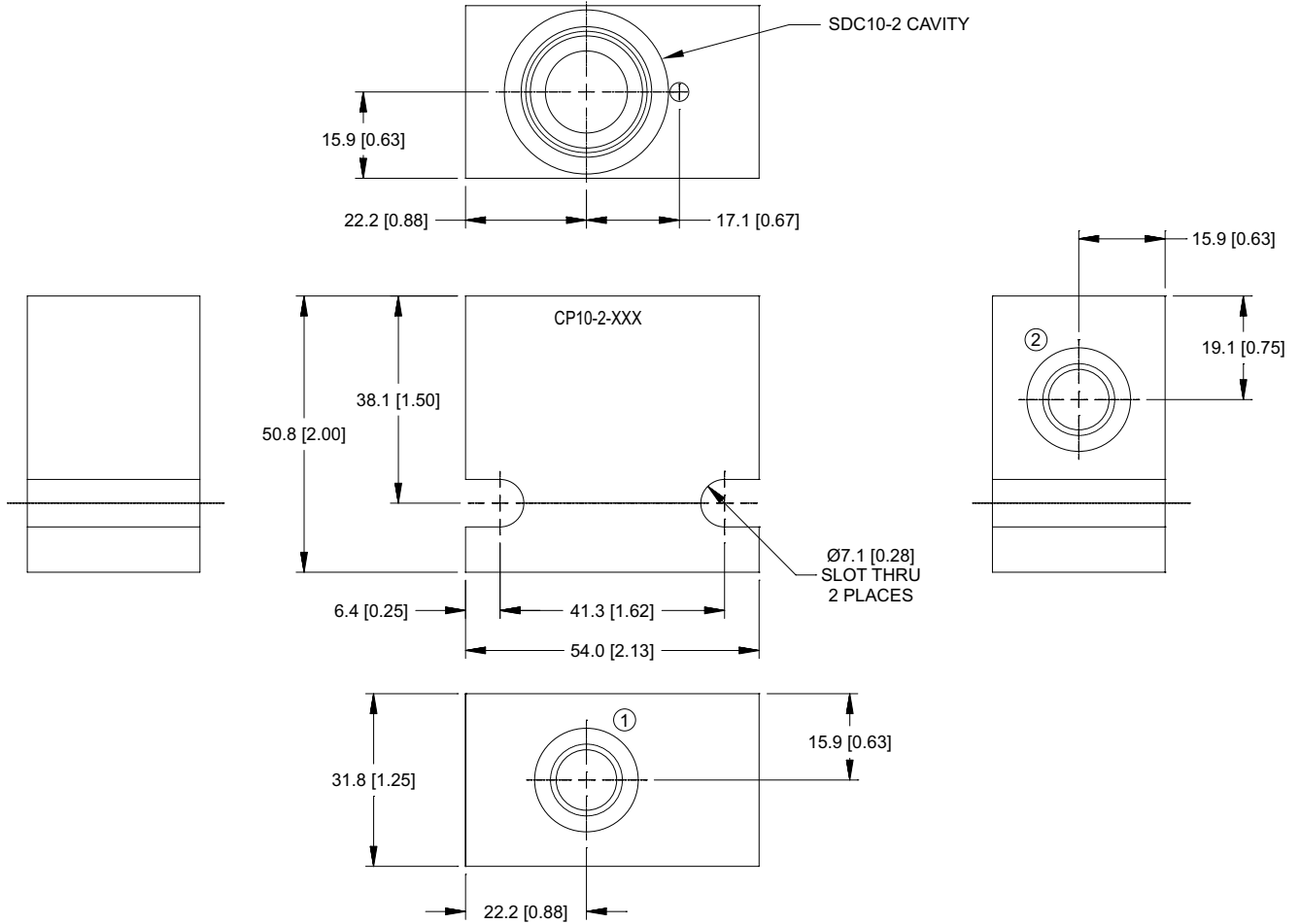


Housings
 SDC10-2 (Standard - SAE Ports)

Options

Order Code	Description	Style	Ports
SDC10-2-6S	Aluminum Housing	Standard	SAE #6
SDC10-2-8S	Aluminum Housing	Standard	SAE #8
SDC10-2-S6S	Ductile Housing	Standard	SAE #6
SDC10-2-S8S	Ductile Housing	Standard	SAE #8

Dimensional drawings

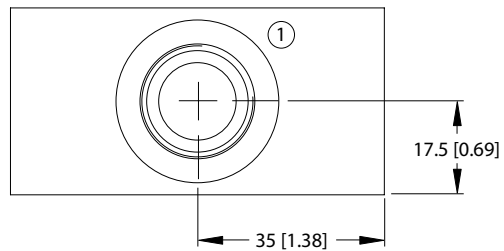
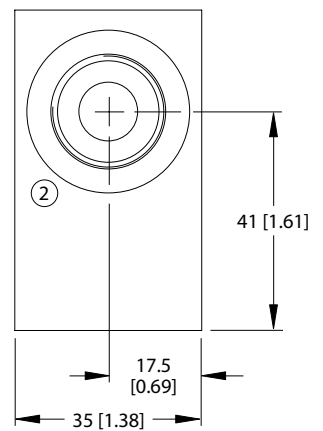
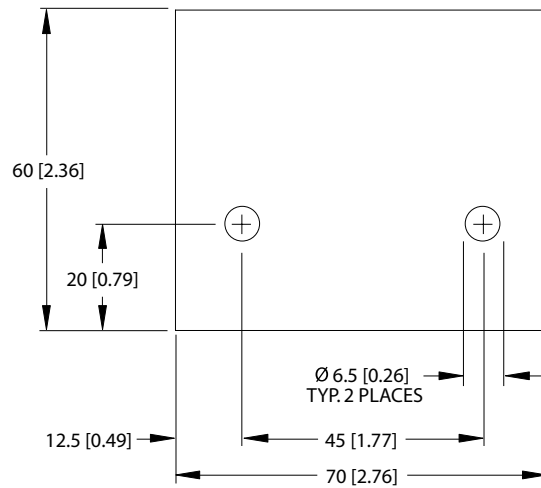
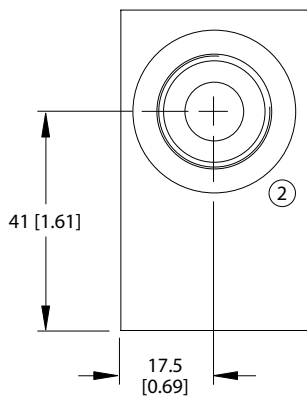
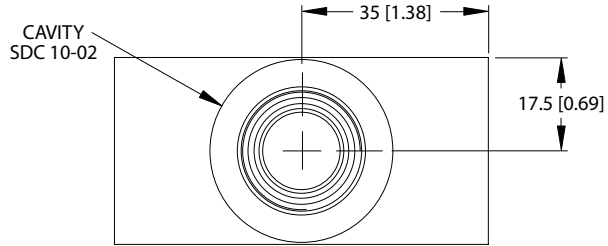


Housings
 SDC10-2 (Slot Style Mounts)

Options

Order Code	Description	Style	Ports
CP10-2-6S	Aluminum Housing	Slot Style	SAE #6
CP10-2-8S	Aluminum Housing	Slot Style	SAE #8
CP10-2-S6S	Ductile Housing	Slot Style	SAE #6
CP10-2-S8S	Ductile Housing	Slot Style	SAE #8

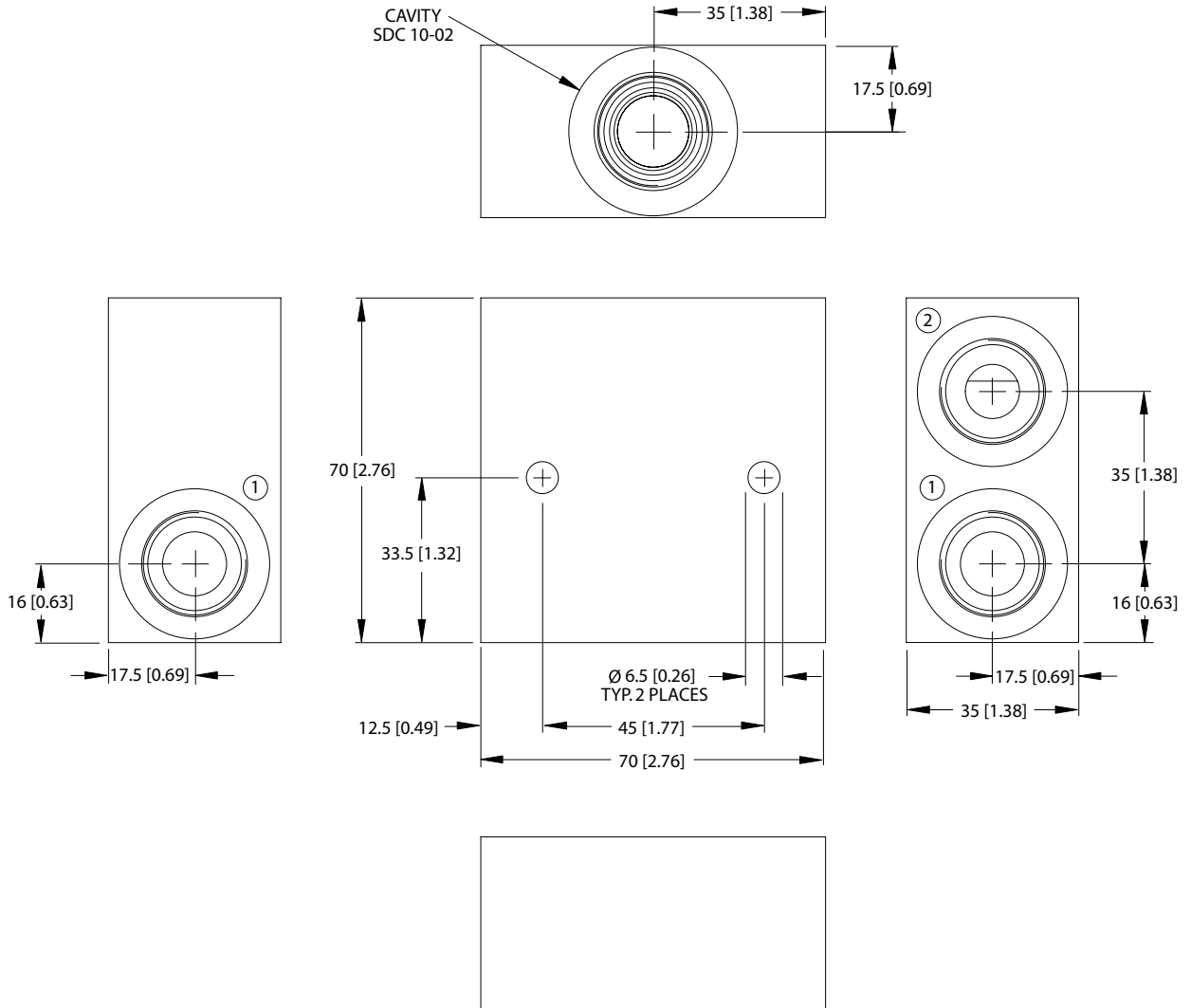
Dimensional drawings



Options

Order Code	Description	Style	Ports
SDC10-2-LG1-4B	Aluminum Housing, Two #2 Ports	LG1	1/2 BSP

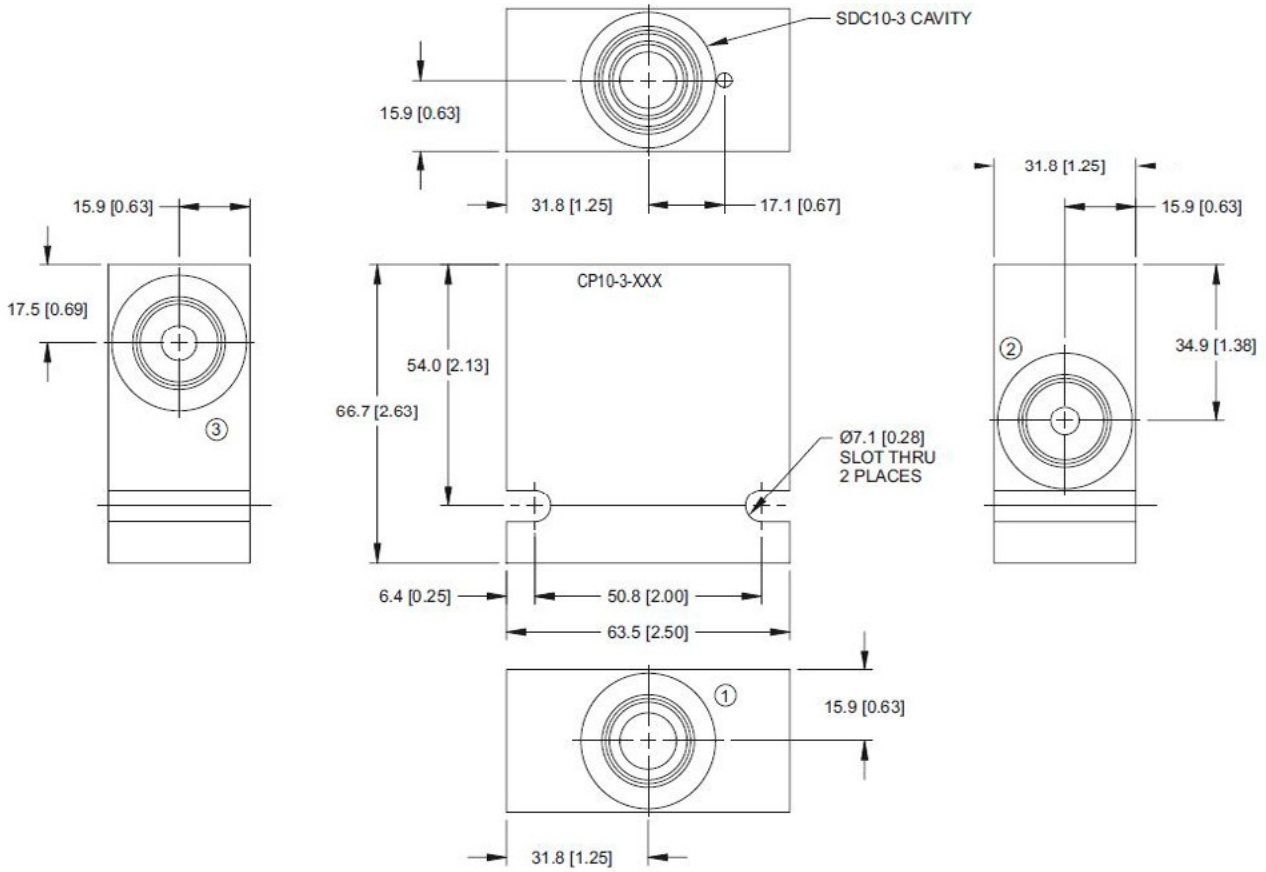
Dimensional drawings



Options

Order Code	Description	Style	Ports
SDC10-2-LG2-4B	Aluminum Housing, Two #1 Ports	LG2	1/2 BSP

Dimensional drawings

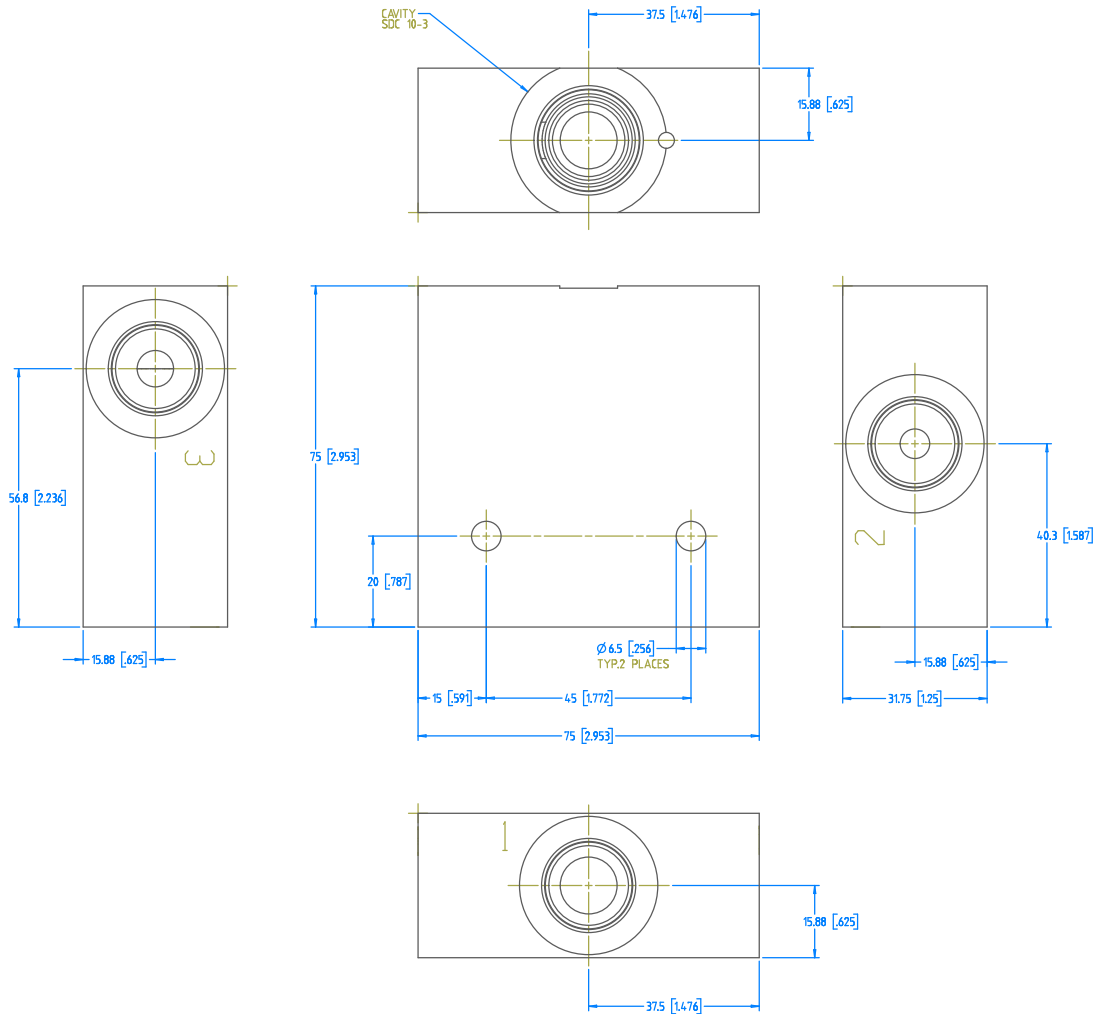


SDC10-3 (Slot Style - SAE Ports)
Housings

Options

Order Code	Description	Style	Ports
CP10-3-6S	Aluminum Housing	Slot Style	SAE #6
CP10-3-8S	Aluminum Housing	Slot Style	SAE #8
CP10-3-S6S	Ductile Housing	Slot Style	SAE #6
CP10-3-S8S	Ductile Housing	Slot Style	SAE #8

Dimensional drawings

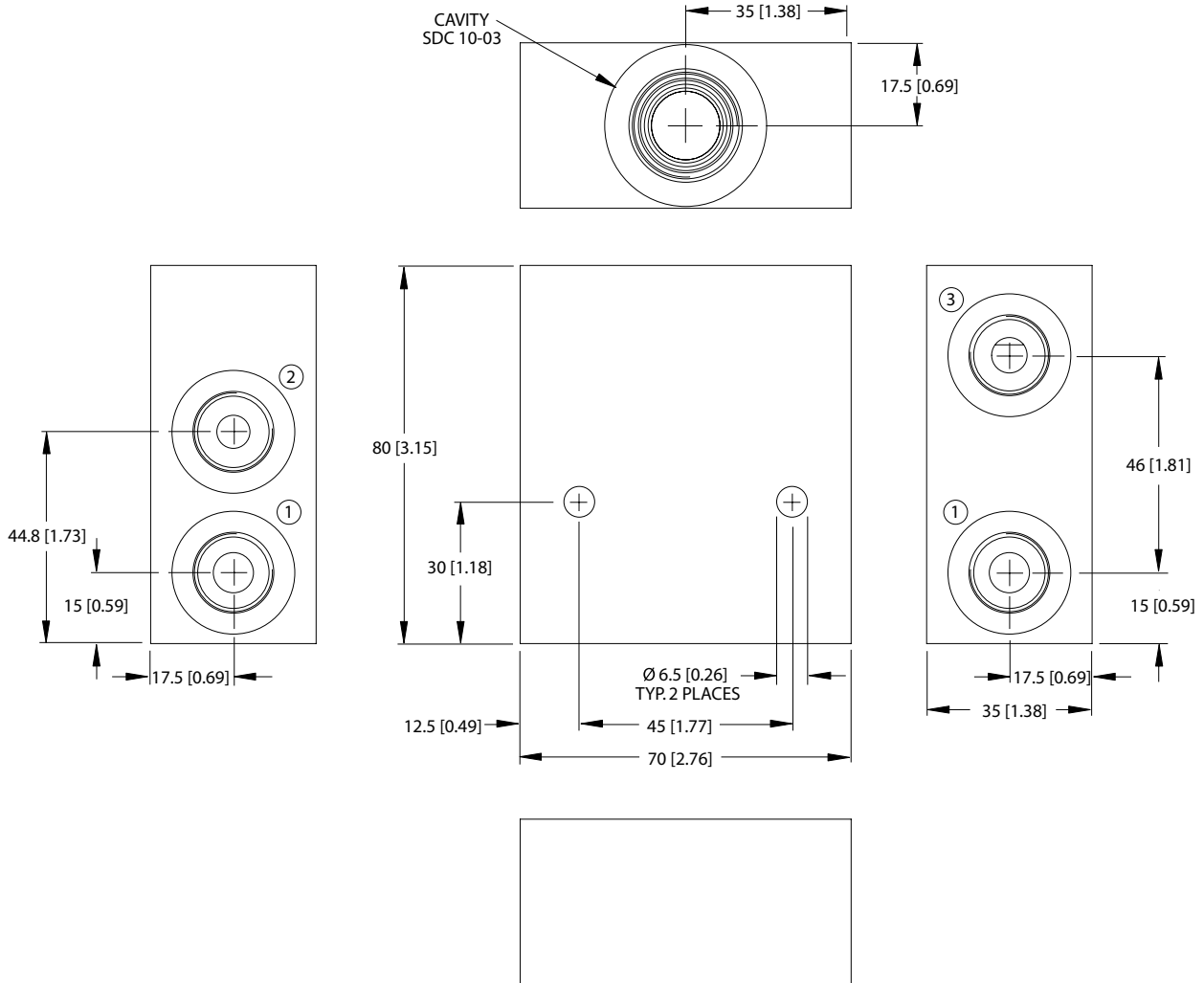


Housings
 SDC10-3 (Standard - SAE Ports)

Options

Order Code	Description	Style	Ports
SDC10-3-6S	Aluminum Housing	Standard	SAE #6
SDC10-3-8S	Aluminum Housing	Standard	SAE #8
SDC10-3-S6S	Ductile Housing	Standard	SAE #6
SDC10-3-S8S	Ductile Housing	Standard	SAE #8

Dimensional drawings

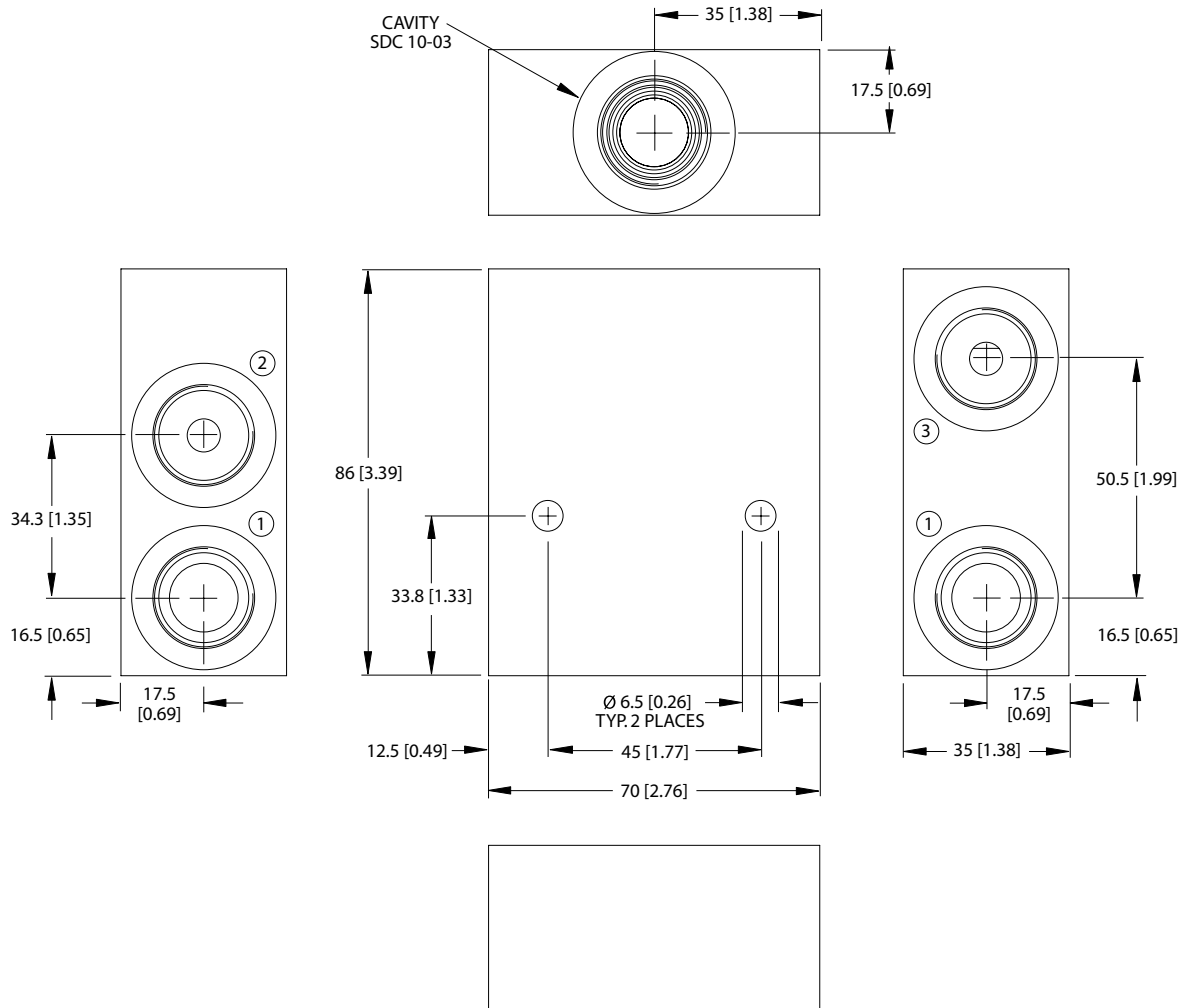


SDC10-3 (SI - 3/8 BSP Ports)
 Housings

Options

Order Code	Description	Style	Ports
SDC10-3-SI-3B	Aluminum Housing, Two #1 Ports	SI	3/8 BSP

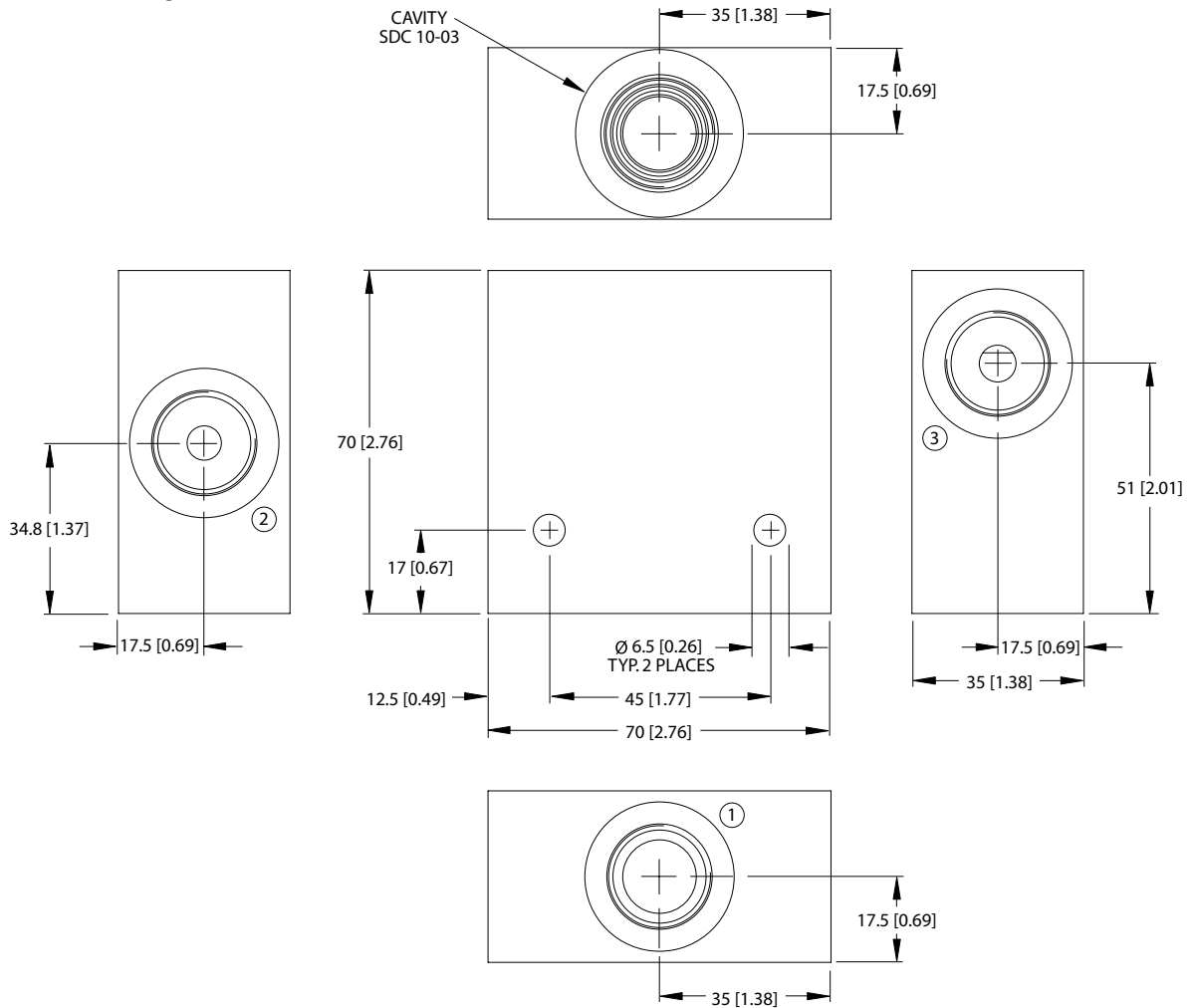
Dimensional drawings



Options

Order Code	Description	Style	Ports
SDC10-3-SI-4B	Aluminum Housing, Two #1 Ports	SI	1/2 BSP

Dimensional drawings

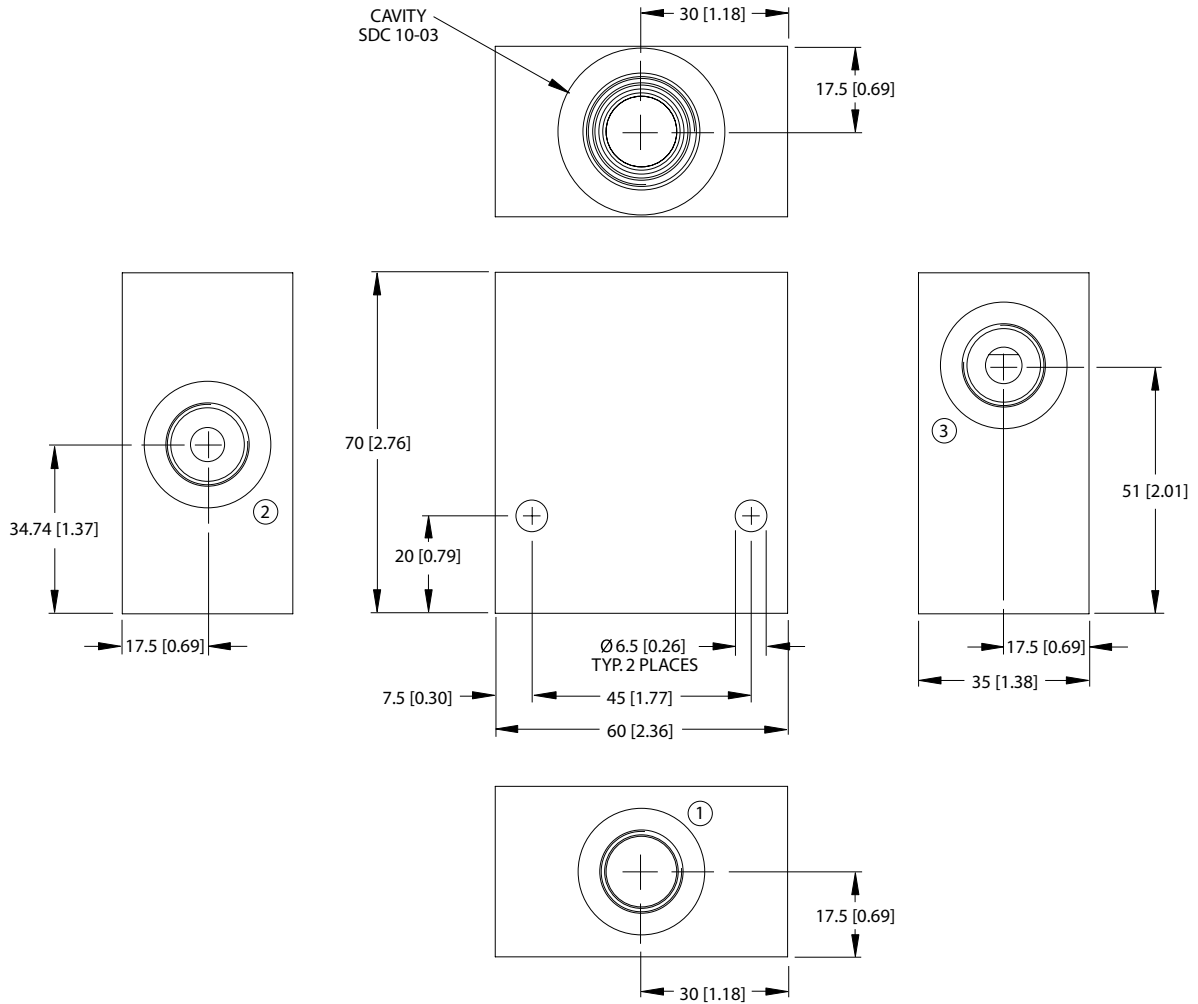


SDC10-3 (SE - 1/2 BSP Ports)
 Housings

Options

Order Code	Description	Style	Ports
SDC10-3-SE-4B	Aluminum Housing	SE	1/2 BSP

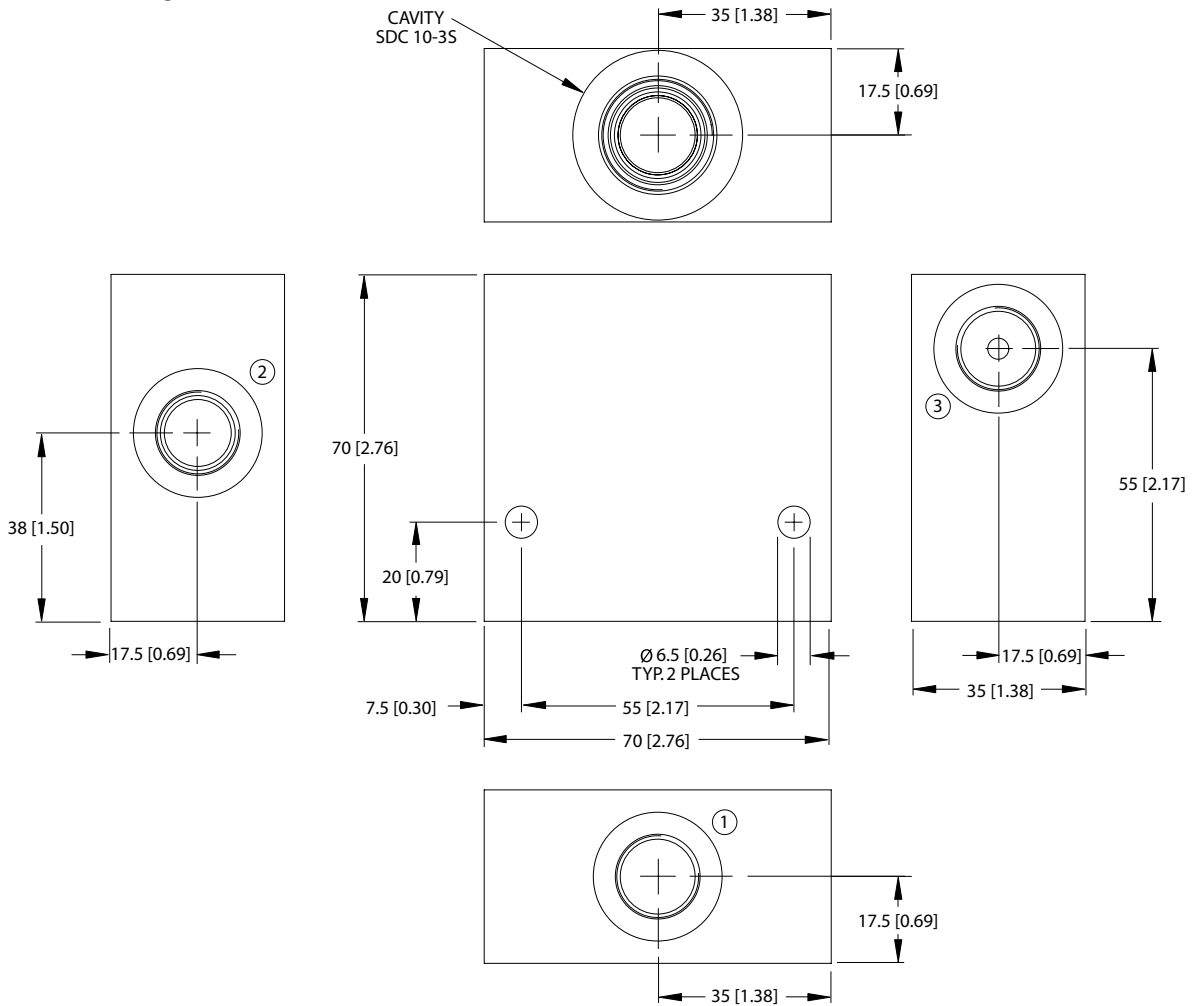
Dimensional drawings



Options

Order Code	Description	Style	Ports
SDC10-3-SE-3B	Aluminum Housing	SE	3/8 BSP

Dimensional drawings

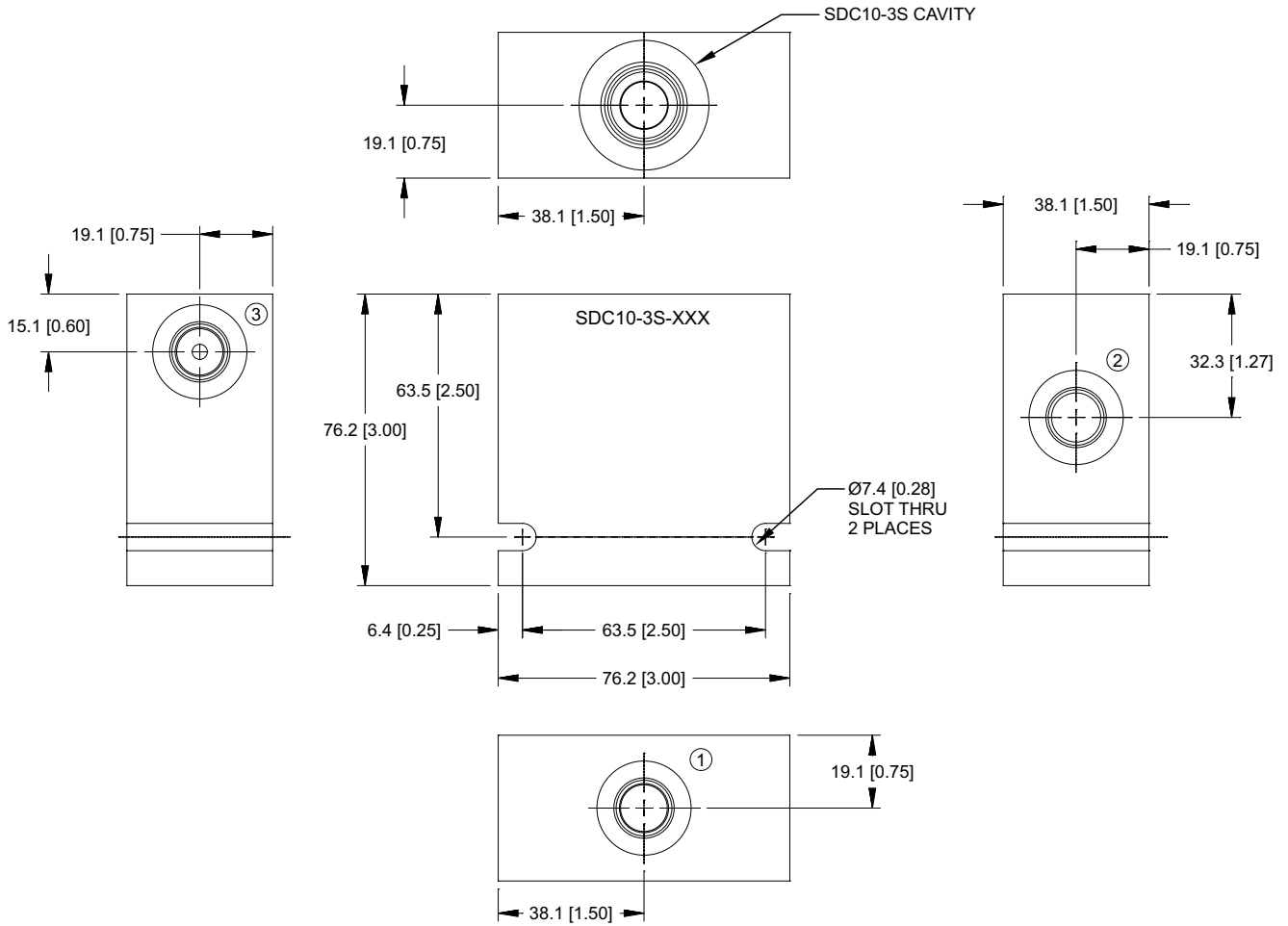


Housings
 SDC10-3S (SE)

Options

Order Code	Description	Style	Ports
SDC10-3S-SE-3B	Aluminum Housing	SE	3/8 BSP
SDC10-3S-SE-4B	Aluminum Housing	SE	1/2 BSP

Dimensional drawings

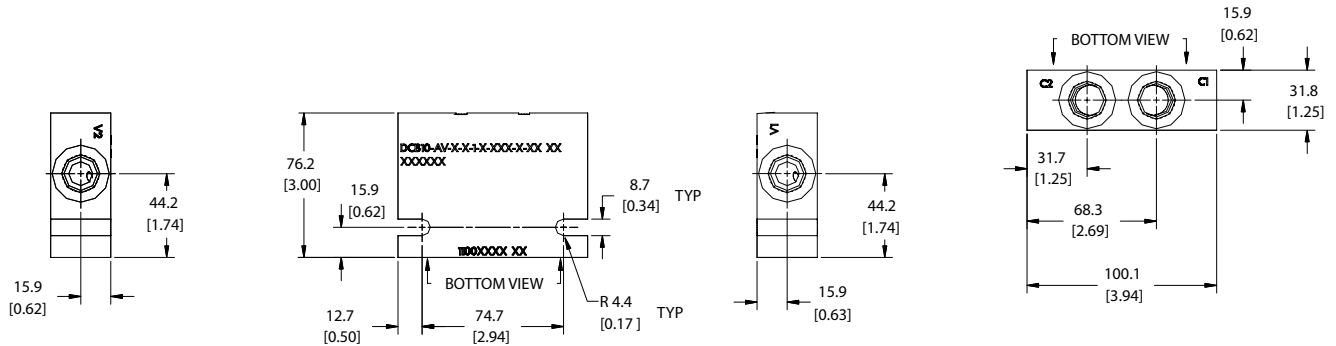


Housings
 SDC10-3S (Standard)

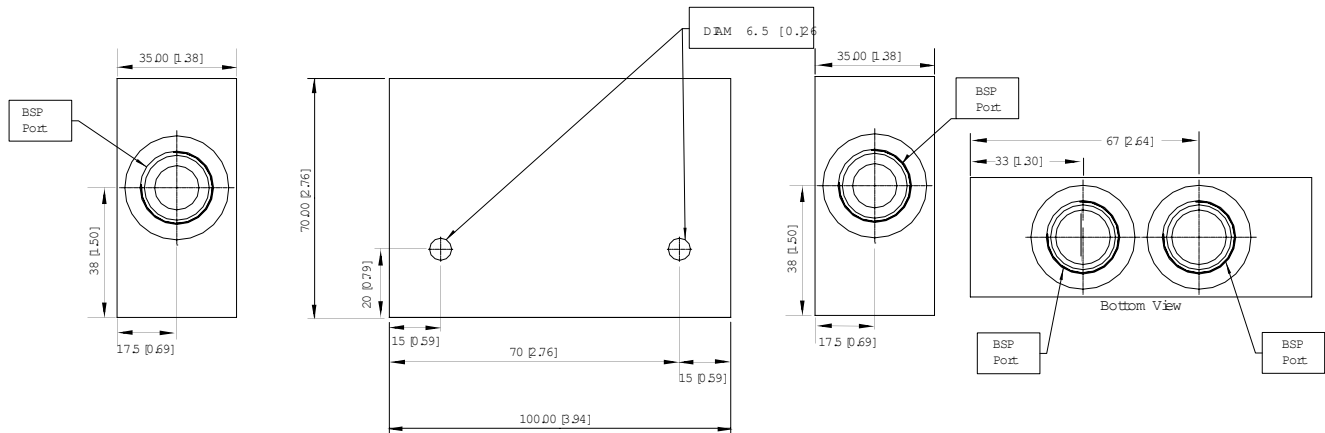
Options

Order Code	Description	Style	Ports
SDC10-3S-10S/6S	Aluminum Housing, Pilot at Port #3	Standard	SAE #10
SDC10-3S-6S/6S	Aluminum housing, pilot at port #3	Standard	SAE #6
SDC10-3S-8S/6S	Aluminum Housing, Pilot at Port #3	Standard	SAE #8
SDC10-3S-S8S/6S	Ductile Housing, Pilot at Port #3	Standard	SAE #8
SDC10-3S-S4B/2B	Ductile Housing, Pilot at Port #3	Standard	1/2 BSP

SAE Ported



BSP Ported

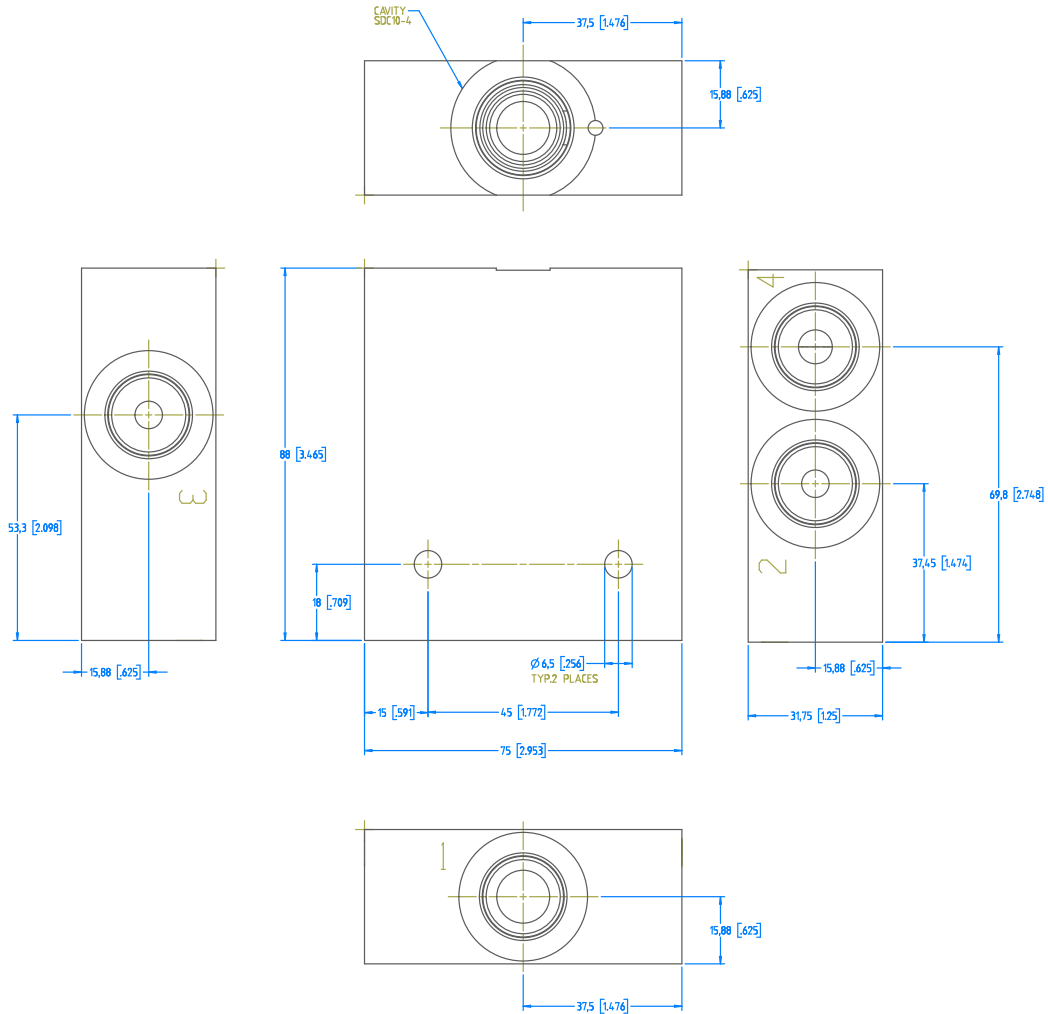


Options

Order Code	Description	Style	Ports
DCB10-3S-6S	Aluminum Housing	Dual Counterbalance	SAE #6
DCB10-3S-8S	Aluminum Housing	Dual Counterbalance	SAE #8
DCB10-3S-10S	Aluminum Housing	Dual Counterbalance	SAE #10
DCB10-3S-SE-3B	Aluminum Housing	Dual Counterbalance	3/8 BSP
DCB10-3S-SE-4B	Aluminum Housing	Dual Counterbalance	1/2 BSP
DCB10-3S-S6S	Steel Housing	Dual Counterbalance	SAE #6
DCB10-3S-S8S	Steel Housing	Dual Counterbalance	SAE #8
DCB10-3S-SE-S3B	Steel Housing	Dual Counterbalance	3/8 BSP
DCB10-3S-SE-S4B	Steel Housing	Dual Counterbalance	1/2 BSP

Housings
 DCB10-3S

Dimensional drawings

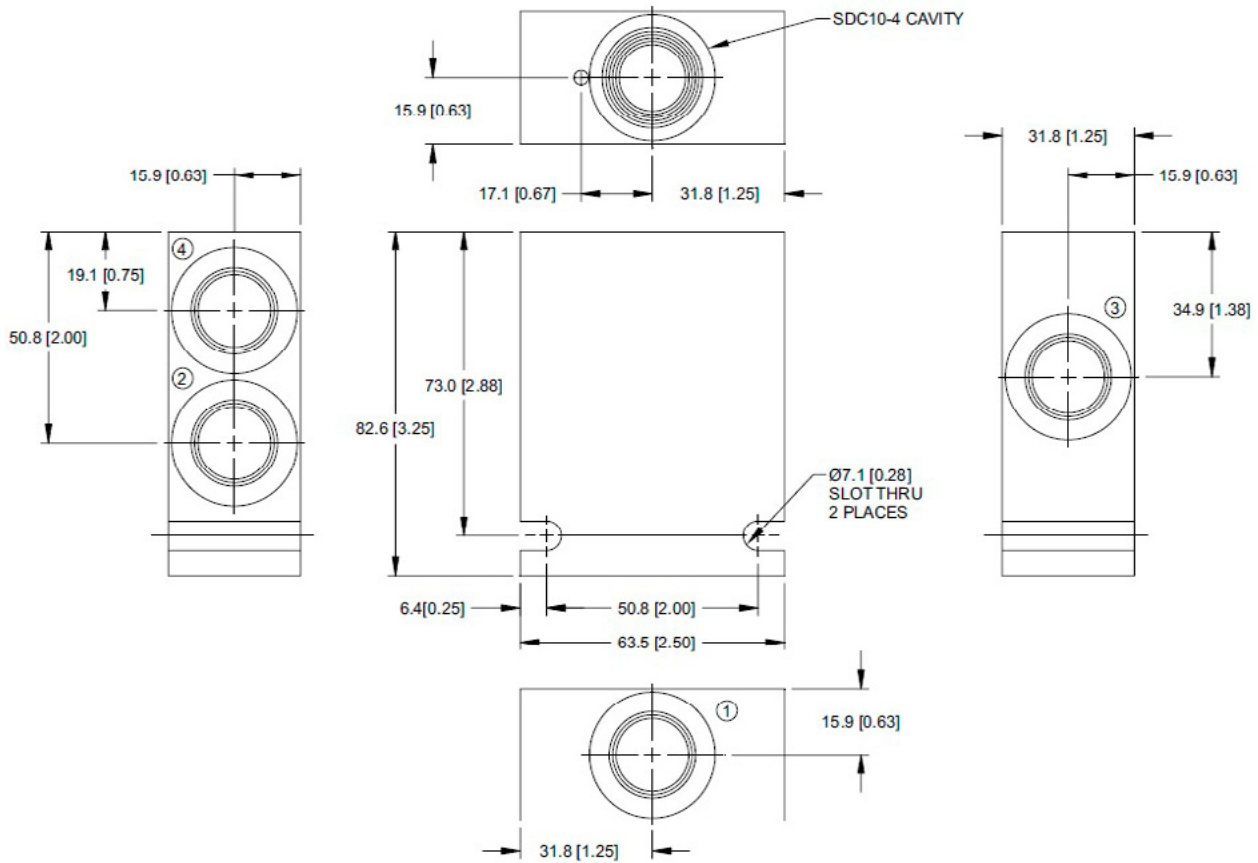


Housings
 SDC10-4 (Standard - SAE Ports)

Options

Order Code	Description	Style	Ports
SDC10-4-6S	Aluminum Housing	Standard	SAE #6
SDC10-4-8S	Aluminum Housing	Standard	SAE #8
SDC10-4-S6S	Ductile Housing	Standard	SAE #6
SDC10-4-S8S	Ductile Housing	Standard	SAE #8

Dimensional drawings



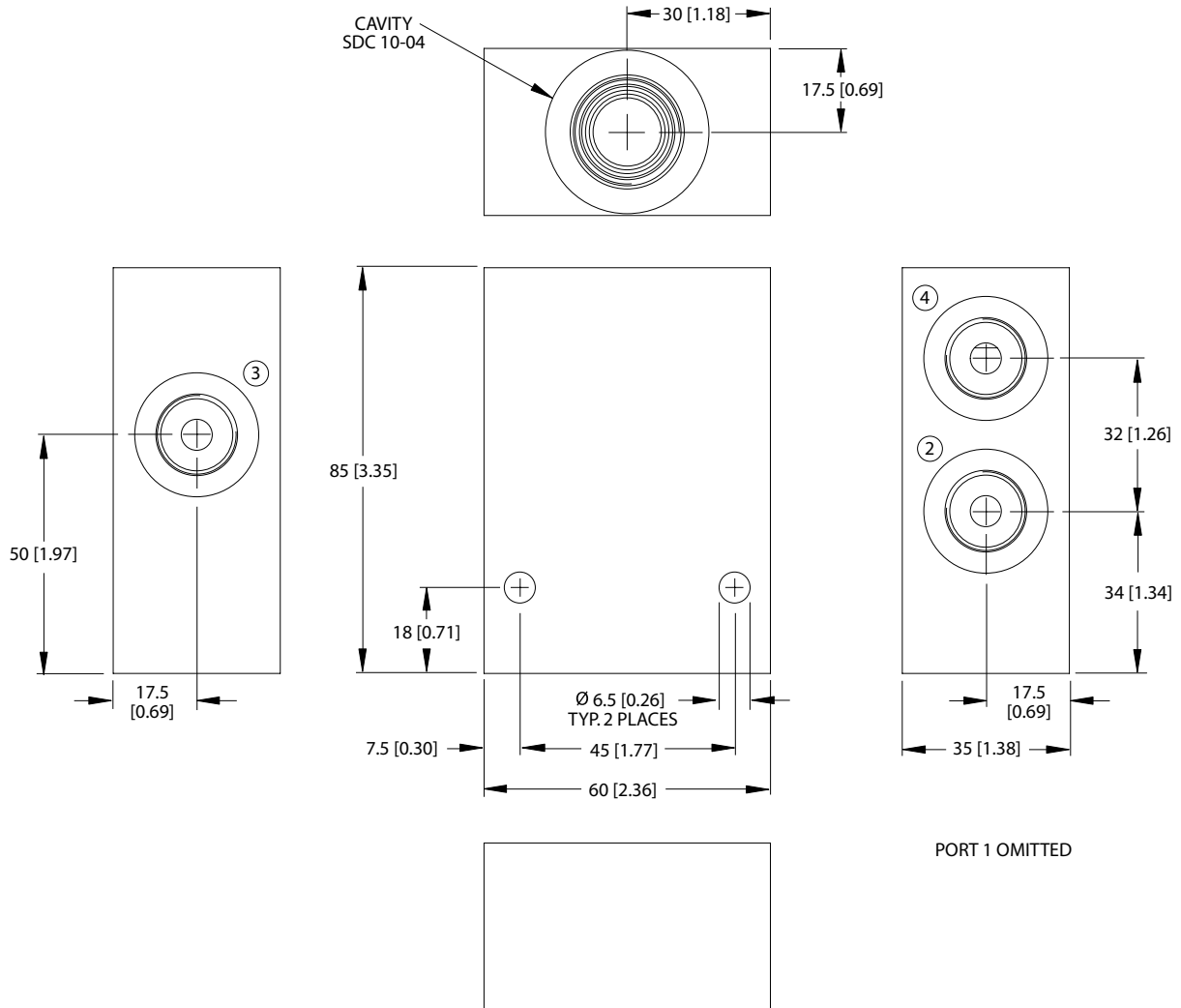
SDC10-4 (Slot Style - SAE Ports)

Housings

Options

Order Code	Description	Style	Ports
CP10-4-6S	Aluminum Housing	Slot Style	SAE #6
CP10-4-6S-X1	Aluminum Housing, No Port #1	Omit port 1, Slot Style	SAE #6
CP10-4-8S	Aluminum Housing	Slot Style	SAE #8
CP10-4-8S-X1	Aluminum Housing, No Port #1	Omit port 1, Slot Style	SAE #8
CP10-4-S6S	Ductile Housing	Slot Style	SAE #6
CP10-4-S8S	Ductile Housing	Slot Style	SAE #8

Dimensional drawings

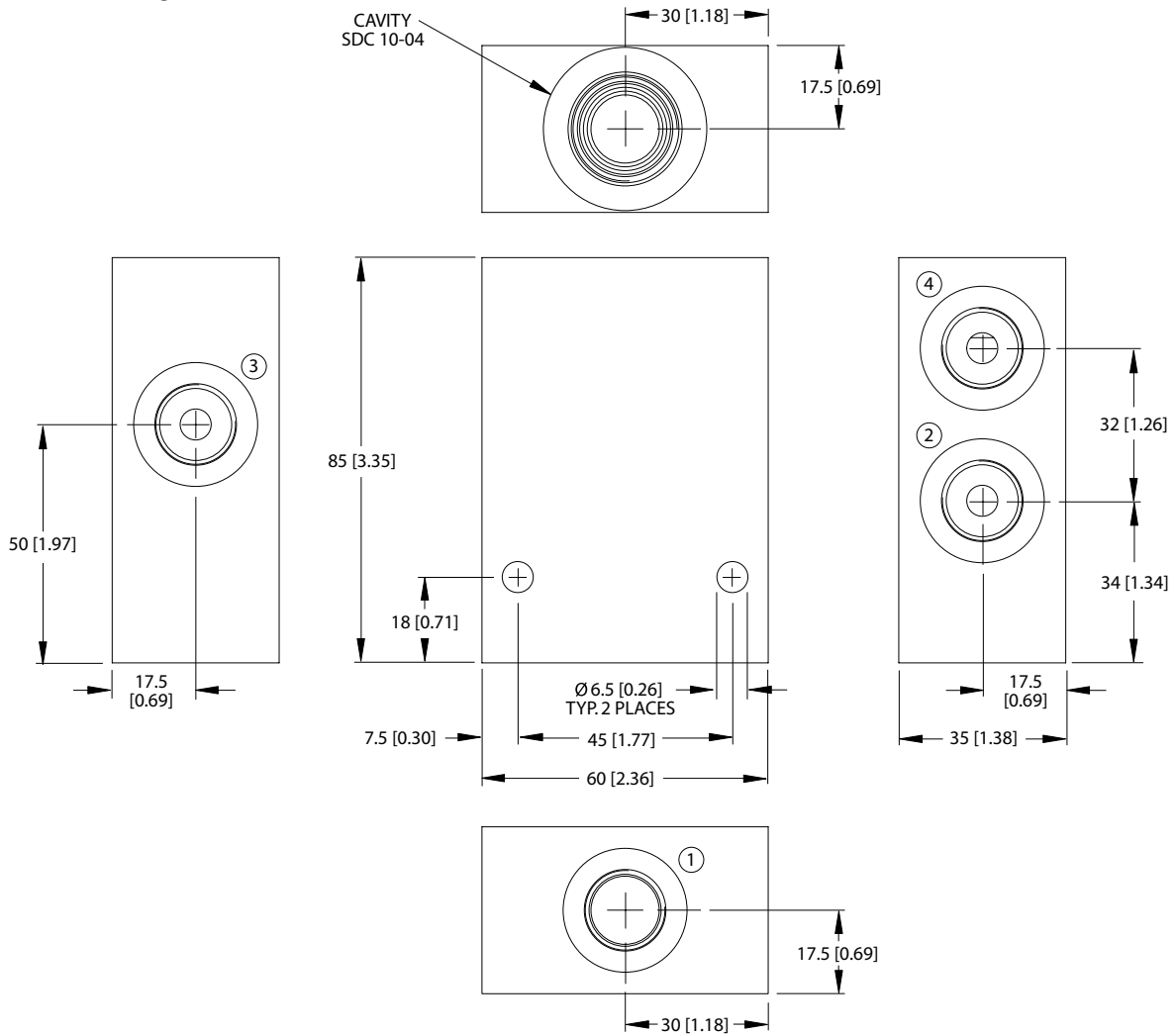


Housings
 SDC10-4 (HD)

Options

Order Code	Description	Style	Ports
SDC10-4-HD-3B	Aluminum Housing, No Port #1	HD	3/8 BSP

Dimensional drawings

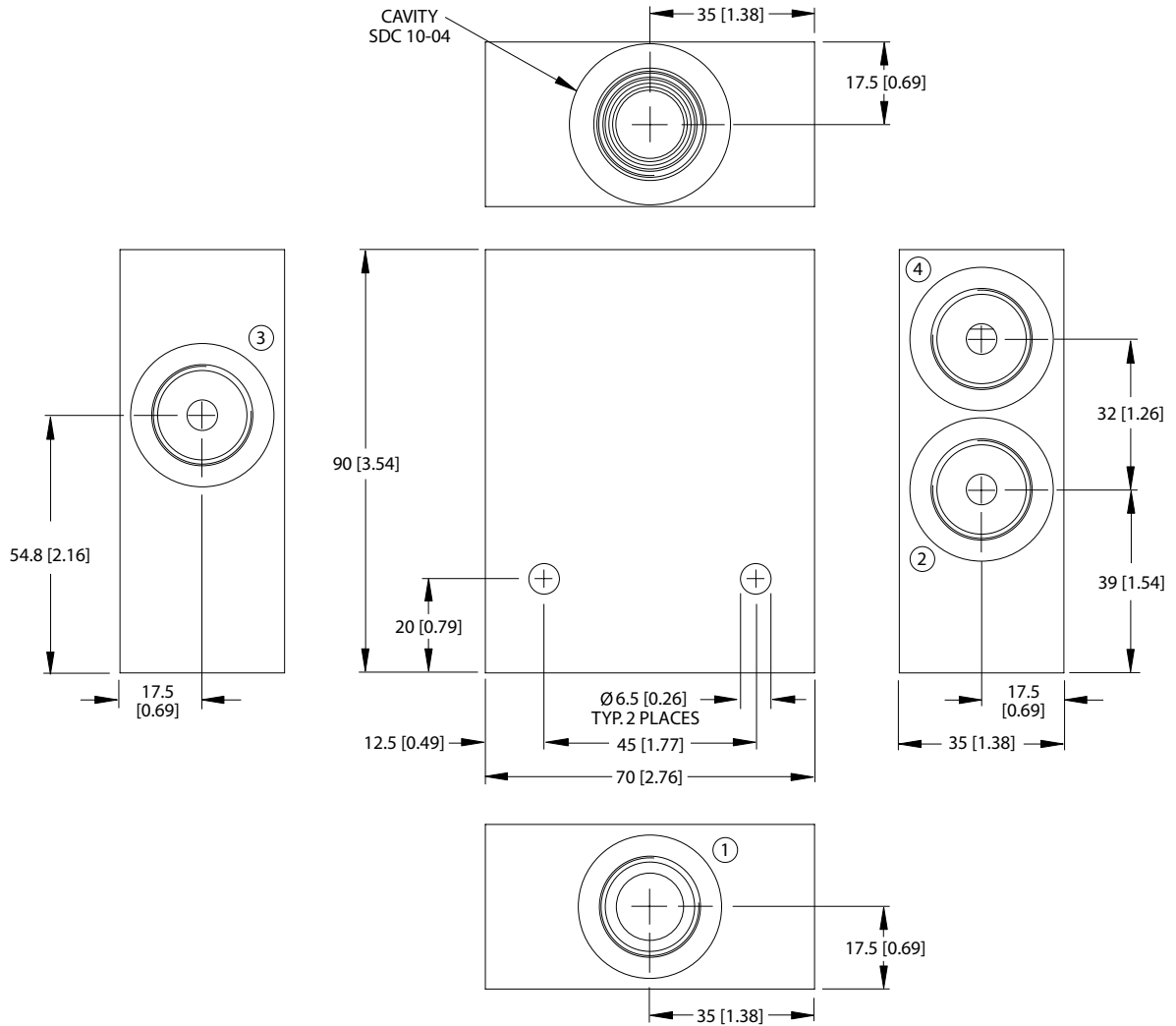


Housings
 SDC10-4 (L - 3/8 BSP Ports)

Options

Order Code	Description	Style	Ports
SDC10-4-L-3B	Aluminum Housing	L	3/8 BSP

Dimensional drawings

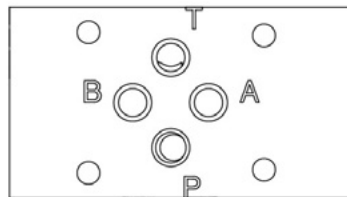
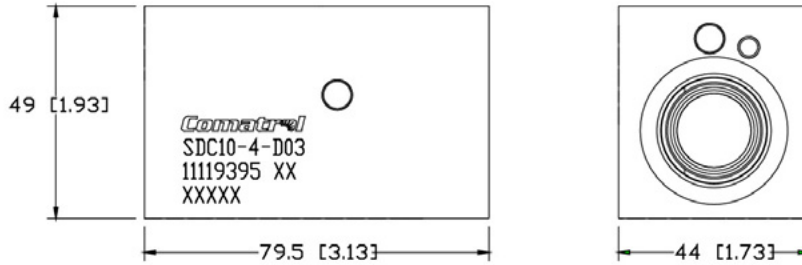


Options

Order Code	Description	Style	Ports
SDC10-4-L-4B	Aluminum Housing	L	1/2 BSP

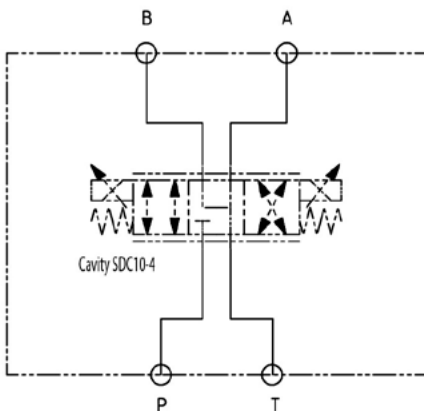
D03 ADAPTER BLOCK - NON-COMPENSATED - SDC10-4-D03 - 11119395

These blocks are designed to be installed onto a CETOP D03 interface for comparison testing. Valves and mounting kits are not included and will need to be ordered and assembled by the user. This block was designed to fit the following valve: PSV10-34.



CETOP D03 Interface

Schematic (valves not included in block):



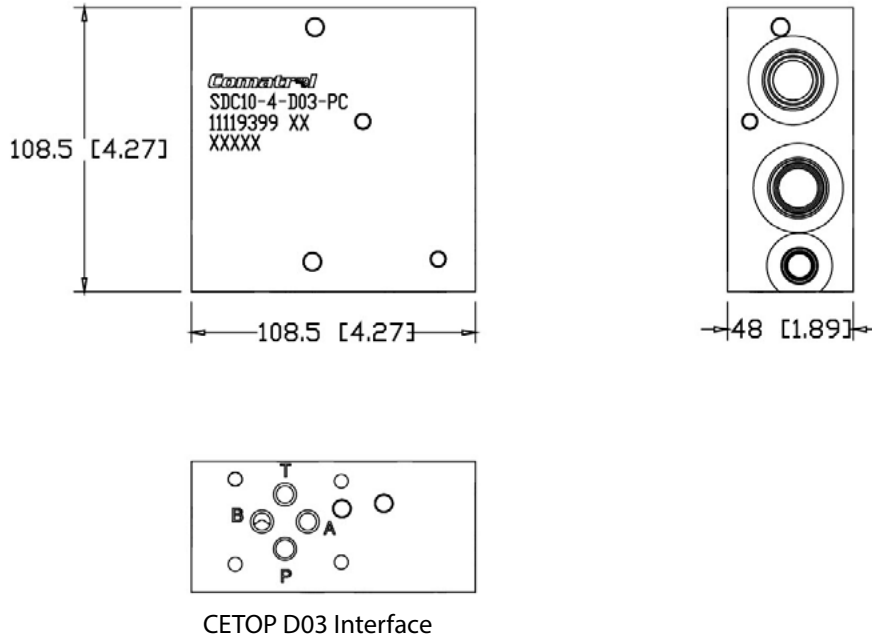
Mounting Kits

Description	Kit Material Number
Buna-N Seal Kit	158-8007
Viton Seal Kit	158-8062
M5 x 50 mm Bolts (4)	11120781
10-24 UNC x 3.6" Bolts (4)	11120812

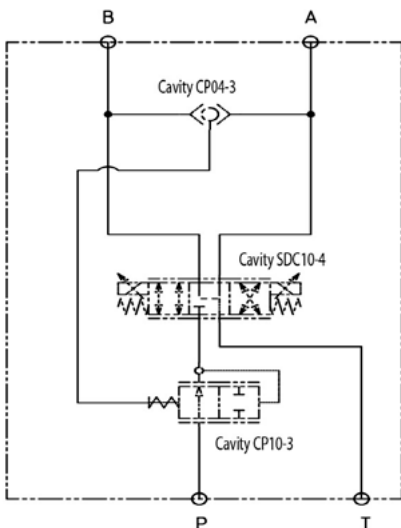
Recommended Torque = 9 Nm (80 lbf·in)

D03 ADAPTER BLOCK - COMPENSATED - SDC10-4-D03-PC - 11119399

These blocks are designed to be installed onto a CETOP D03 interface for comparison testing. Valves and Mounting Kits are not included and will need to be ordered and assembled by the user. This block was designed to fit the following valves: PSV10-34, CP700-4 and CP124-1.



Schematic (valves not included in block):

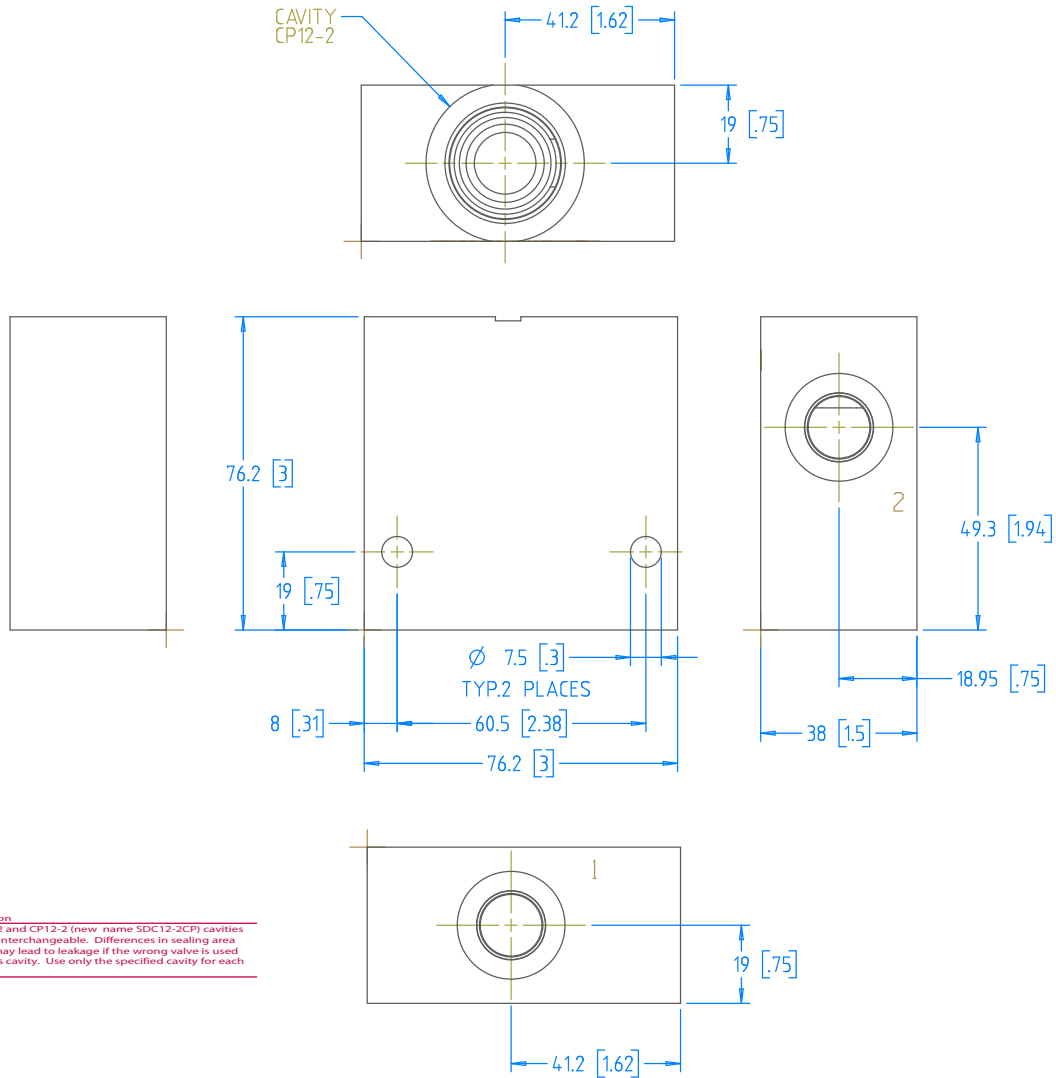


Mounting Kits

Description	Kit Material Number
Buna-N Seal Kit	158-8007
Viton Seal Kit	158-8062
M5 x 90 mm Bolts (4)	11120683
10-24 UNC x 3.6" Bolts (4)	11120684

Recommended Torque = 9 Nm (80 lbf-in)

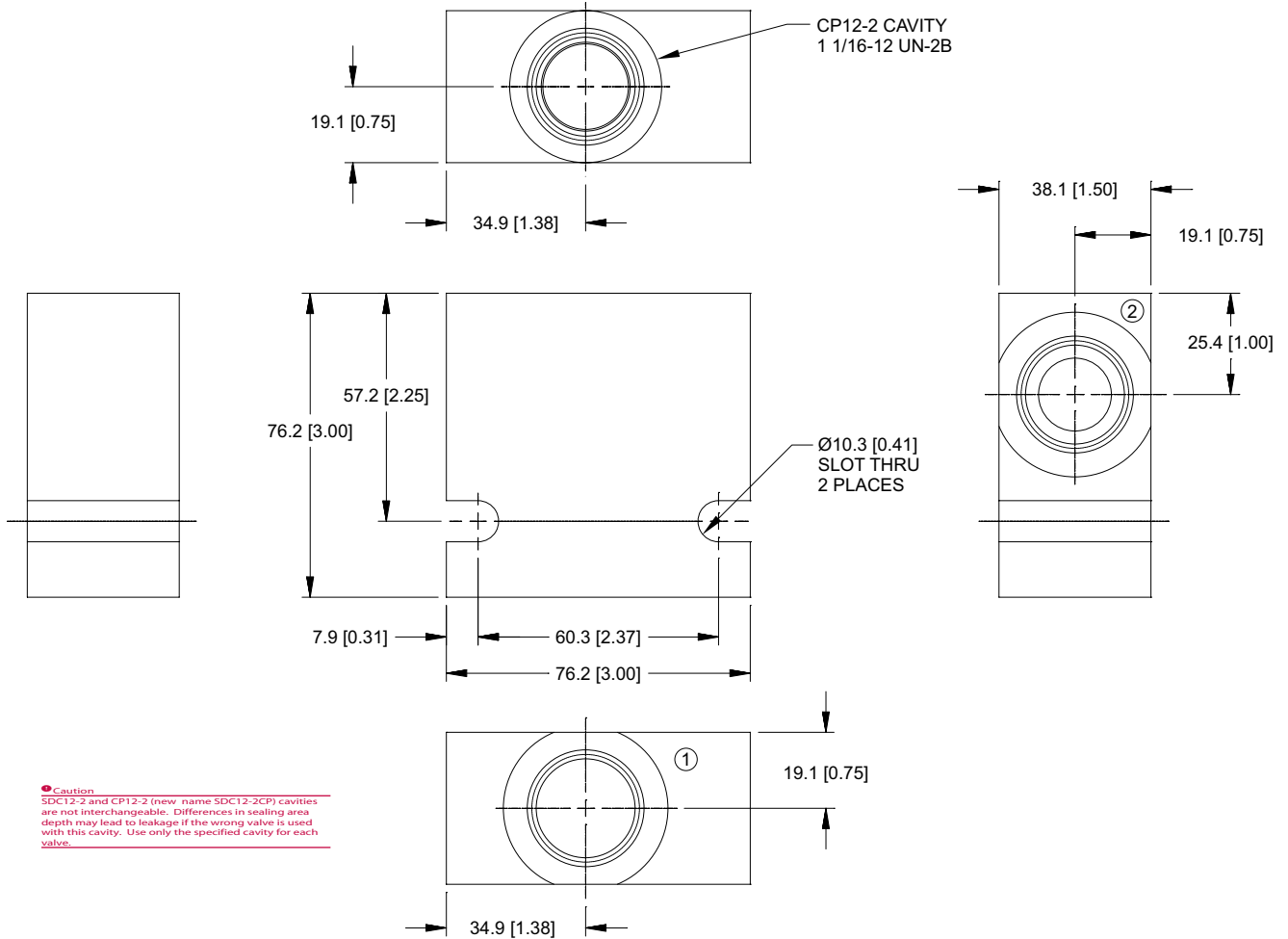
Dimensional drawings



Options

Order Code	Description	Style	Ports
CP12-2-S4B	Ductile Housing	Hole Style	1/2 BSP

Dimensional drawings

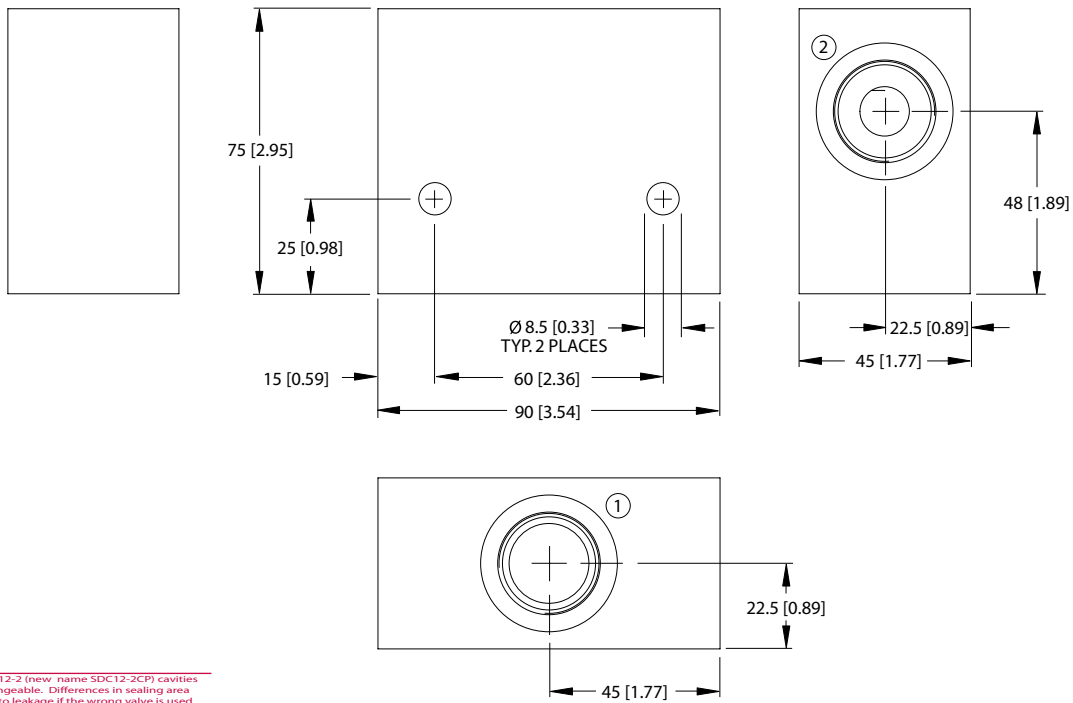
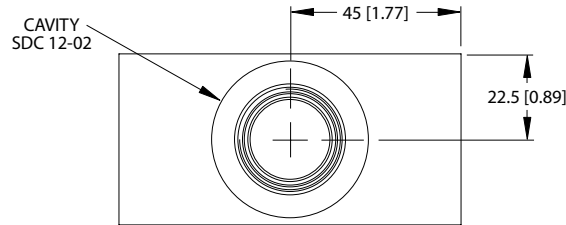


Housings
 CP12-2 (Standard)

Options

Order Code	Description	Style	Ports
CP12-2-10S	Aluminum Housing	Standard	SAE #10
CP12-2-12S	Aluminum Housing	Standard	SAE #12
CP12-2-4B	Aluminum Housing	Standard	1/2 BSP
CP12-2-6B	Aluminum Housing	Standard	3/4 BSP
CP12-2-S10S	Steel Housing	Standard	SAE #10
CP12-2-S12S	Steel Housing	Standard	SAE #12
CP12-2-S6B	Steel Housing	Standard	3/4 BSP

Dimensional drawings

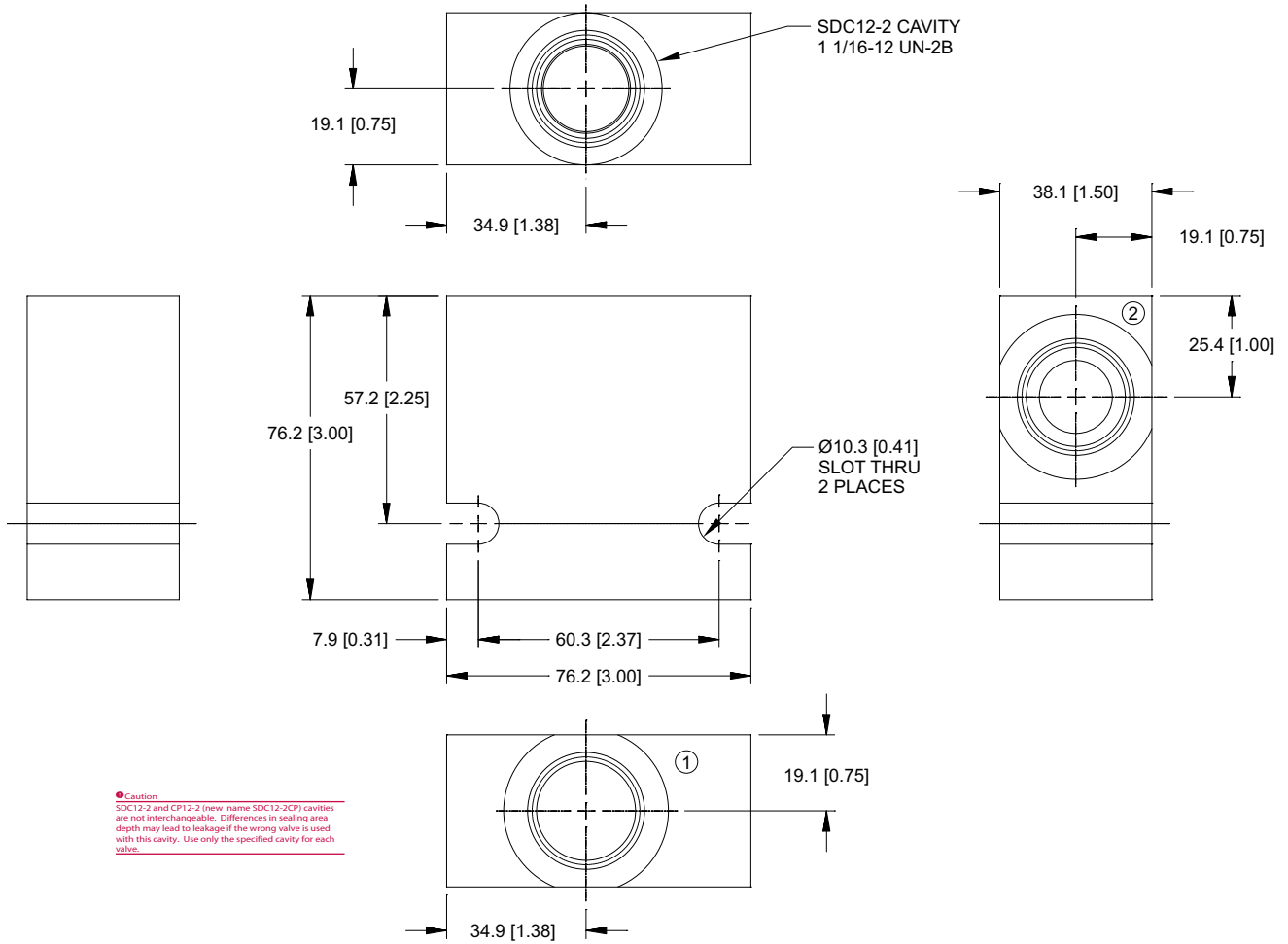


Caution
 SDC12-2 and CP12-2 (new name SDC12-2CP) cavities are not interchangeable. Differences in sealing area depth may lead to leakage if the wrong valve is used with this cavity. Use only the specified cavity for each valve.

Options

Order Code	Description	Style	Ports
SDC12-2-DG-6B	Aluminum Housing	DG	3/4 BSP

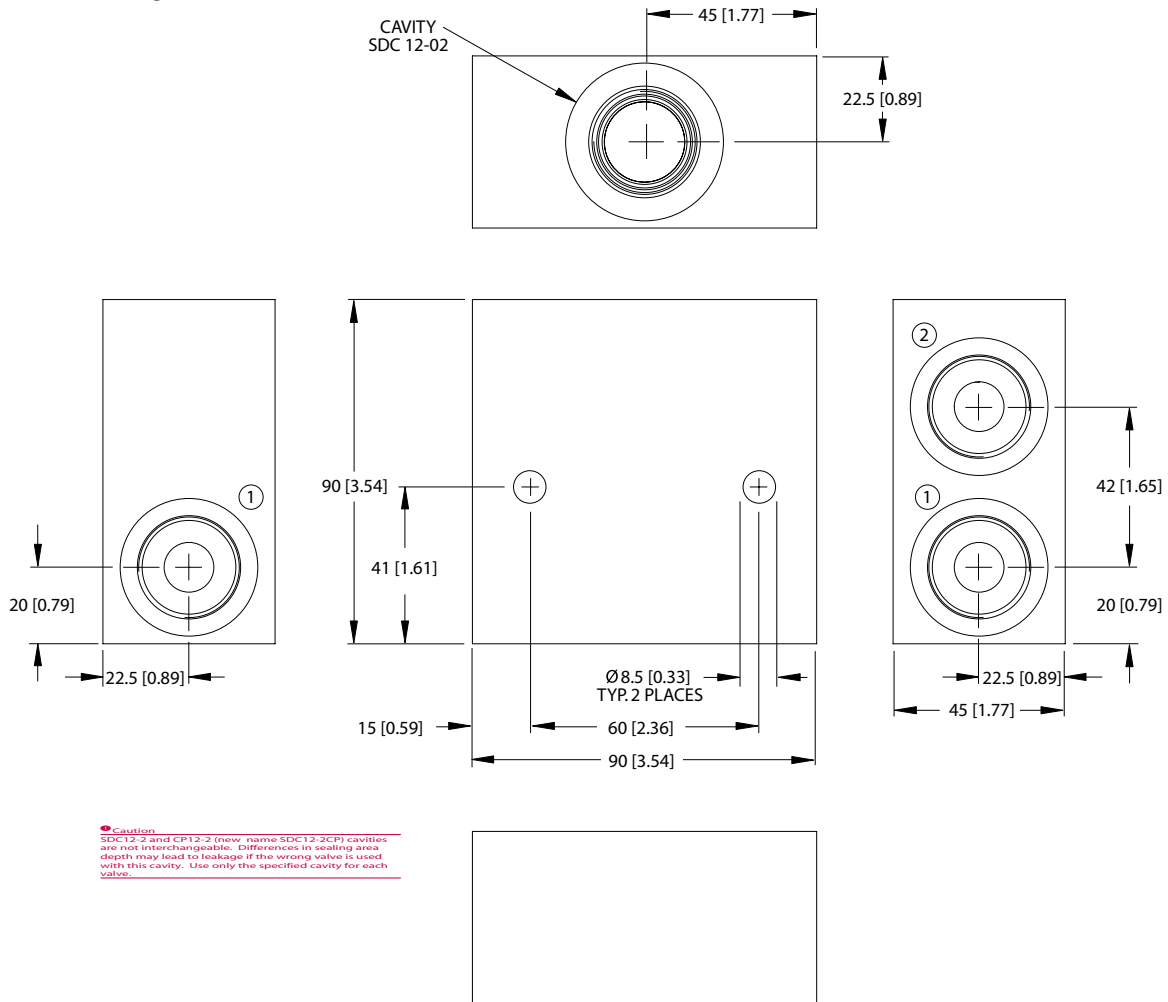
Dimensional drawings



Options

Order Code	Description	Style	Ports
SDC12-2-10S	Aluminum housing	Standard	#10 SAE
SDC12-2-12S	Aluminum housing	Standard	#12 SAE

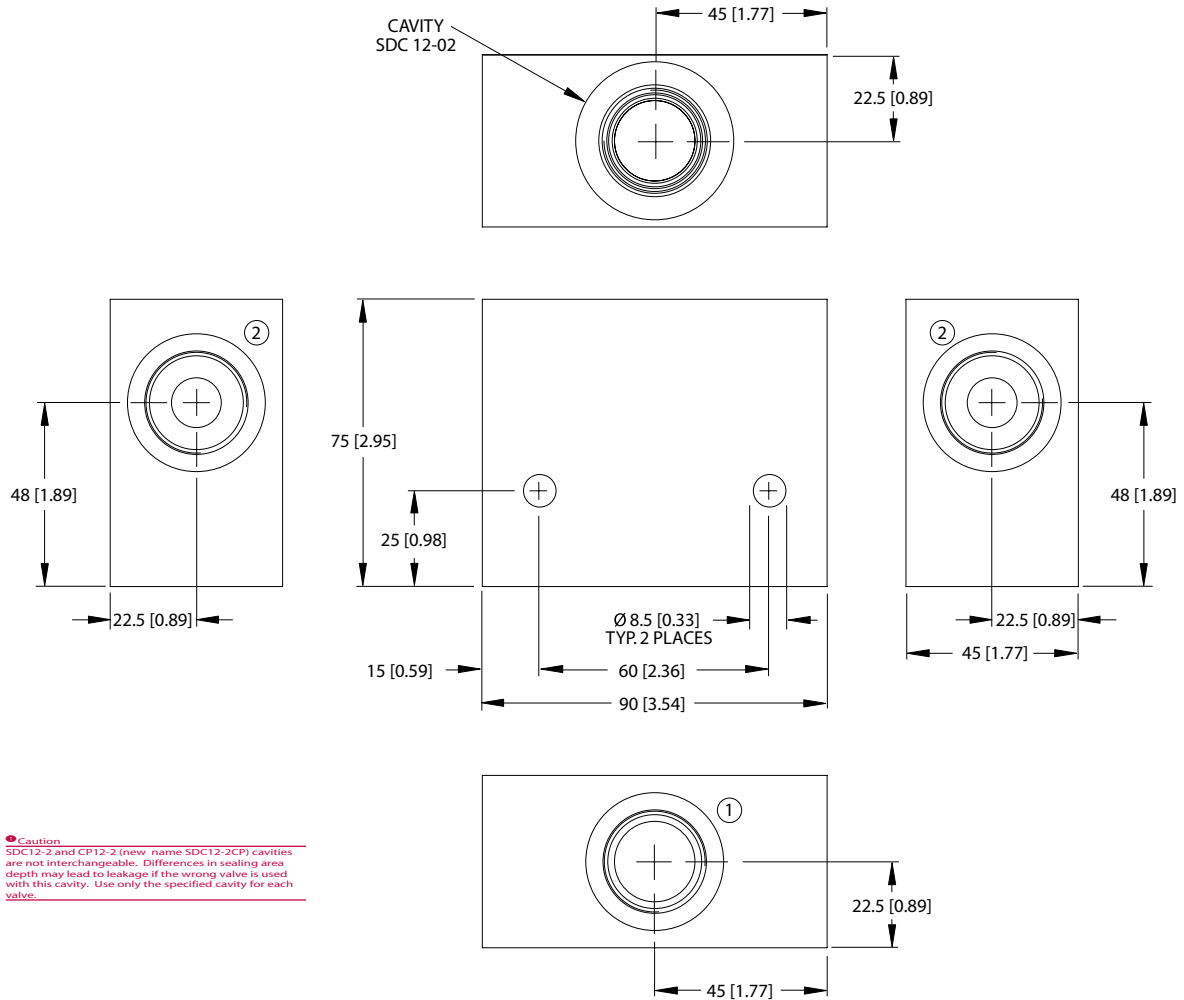
Dimensional drawings



Options

Order Code	Description	Style	Ports
SDC12-2-LG2-6B	Aluminum Housing, Two #1 Ports	LG2	3/4 BSP

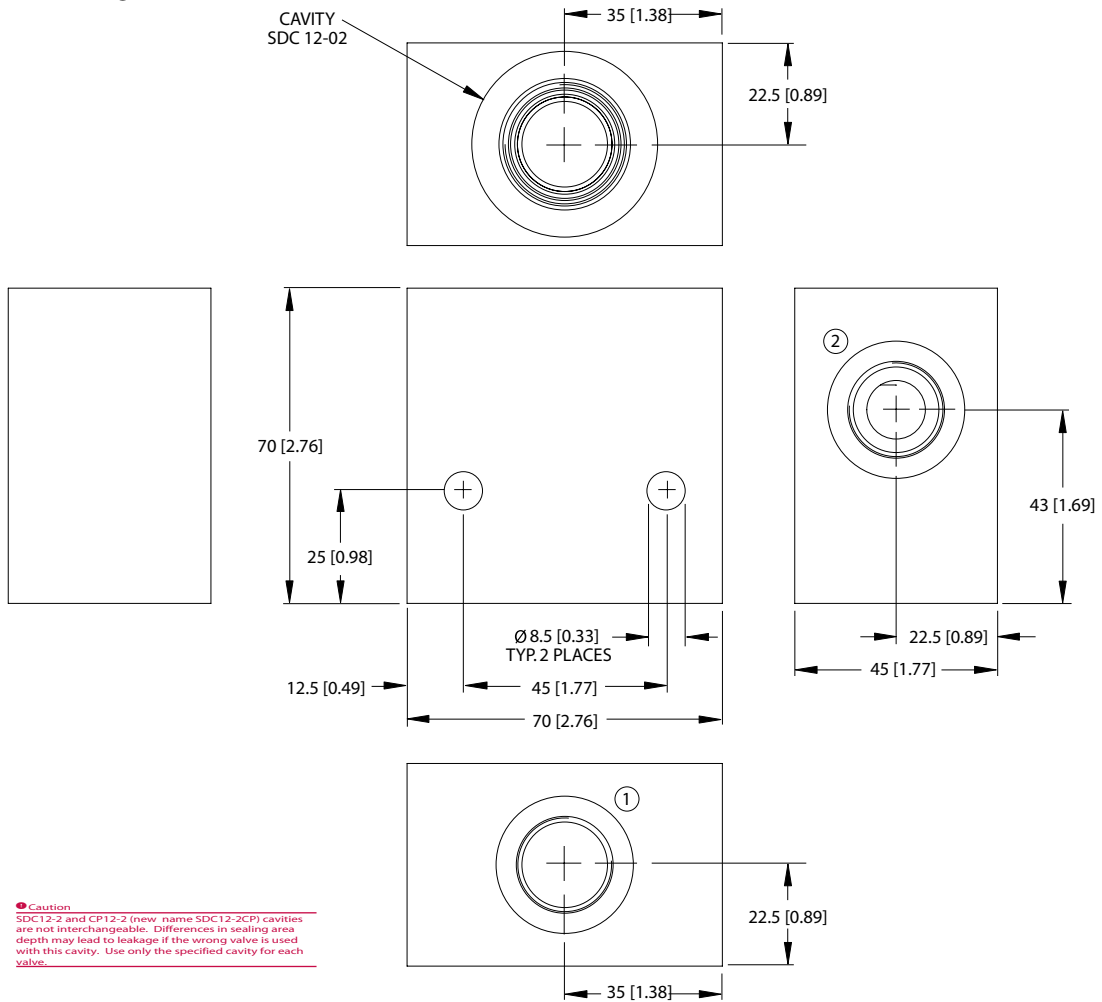
Dimensional drawings



Options

Order Code	Description	Style	Ports
SDC12-2-LG1-6B	Aluminum Housing, Two #2 Ports	LG1	3/4 BSP

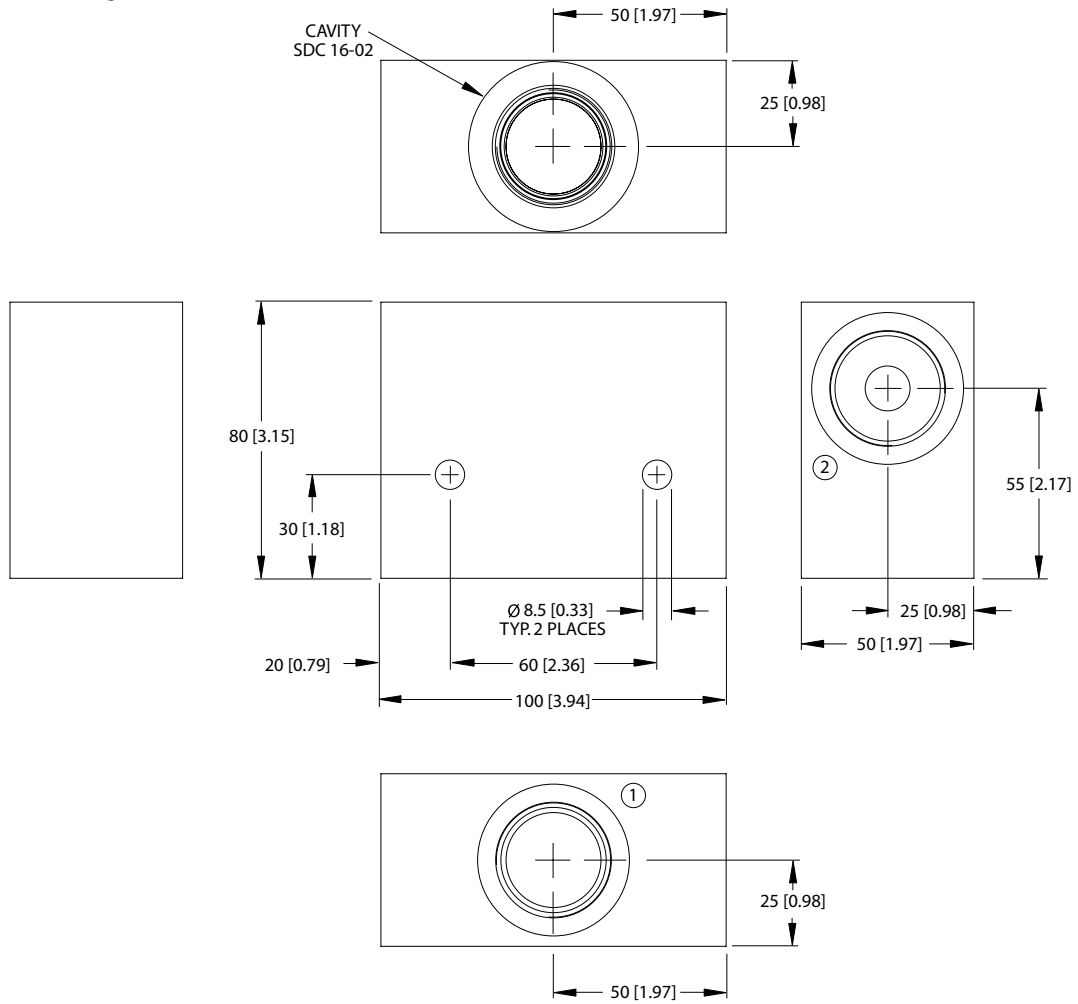
Dimensional drawings



Options

Order Code	Description	Style	Ports
SDC12-2-DG-4B	Aluminum Housing	DG	1/2 BSP

Dimensional drawings

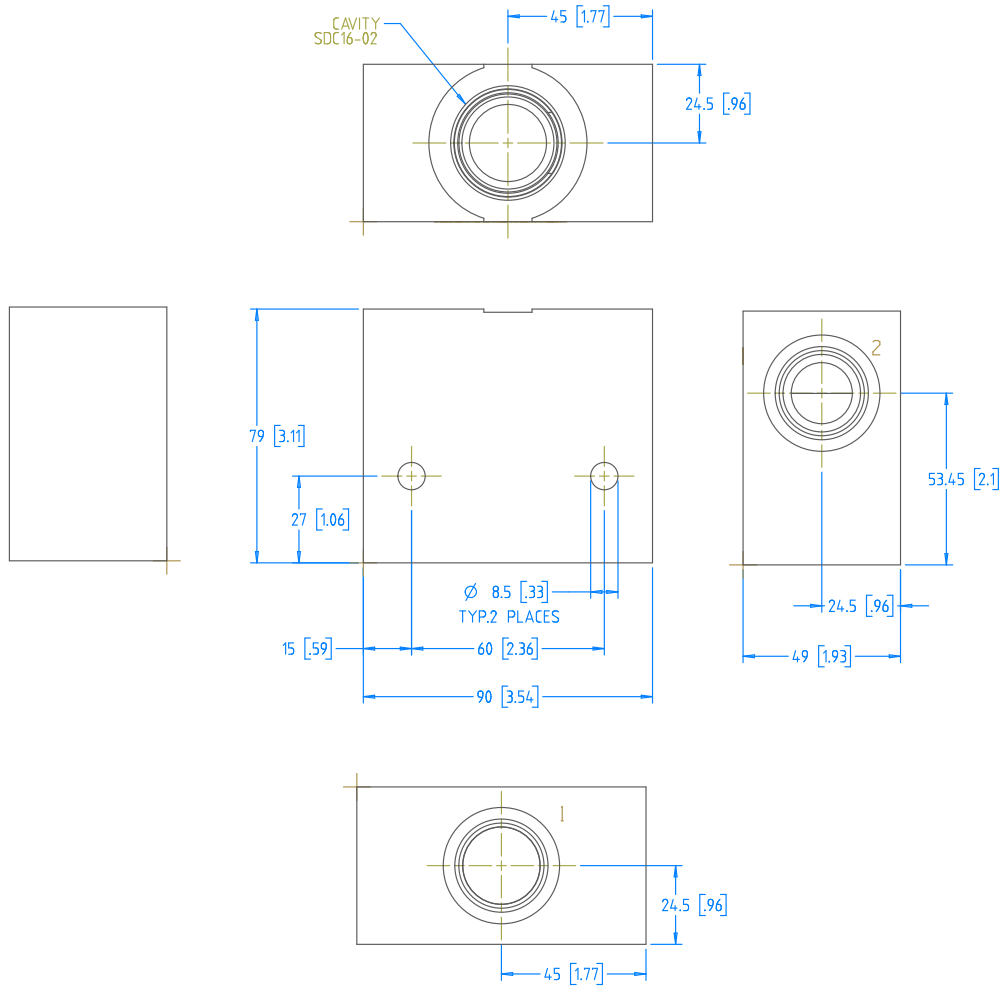


Housings
 SDC16-2 (Standard - 3/4 BSP Port)

Options

Order Code	Description	Style	Ports
SDC16-2-6B	Aluminum Housing	Standard	3/4 BSP

Dimensional drawings

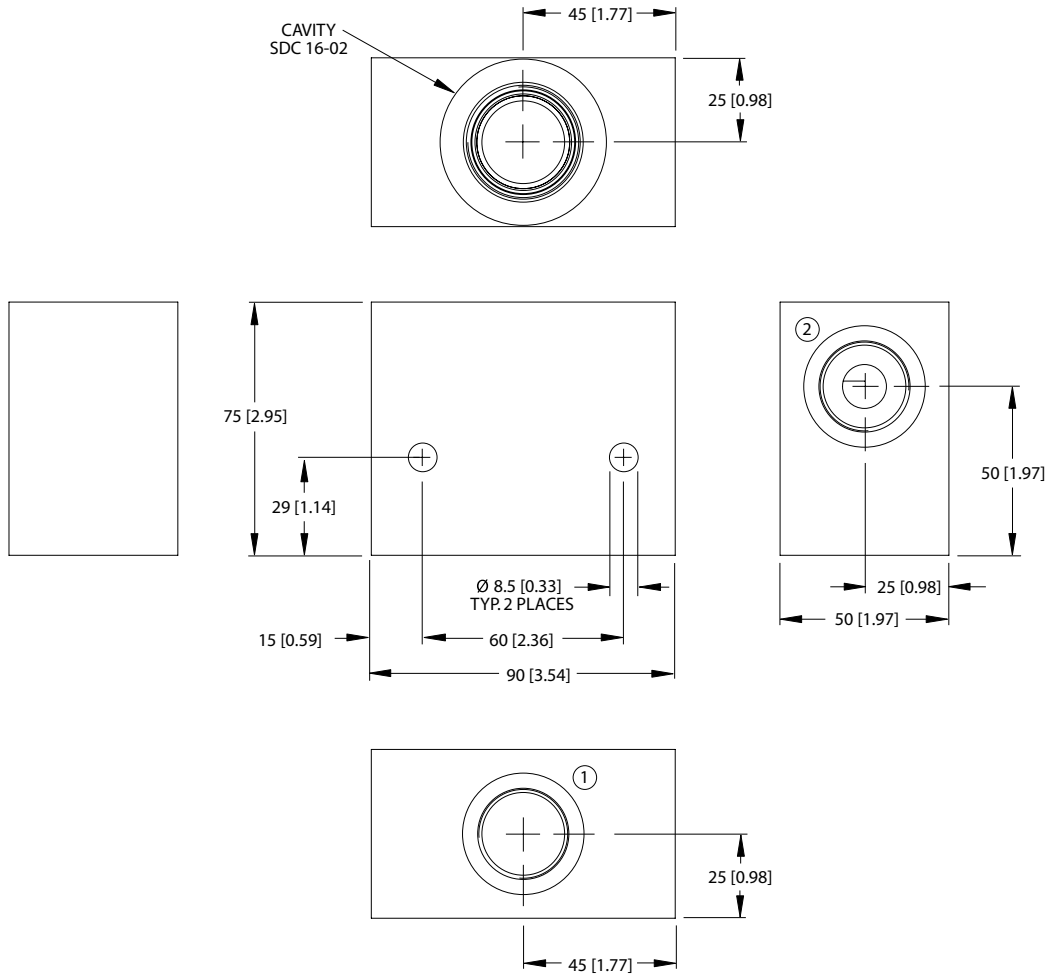


Housings
 SDC16-2 (Ductile - 3/4 BSP Port)

Options

Order Code	Description	Style	Ports
SDC16-2-S6B	Ductile Housing	Standard	3/4 BSP

Dimensional drawings

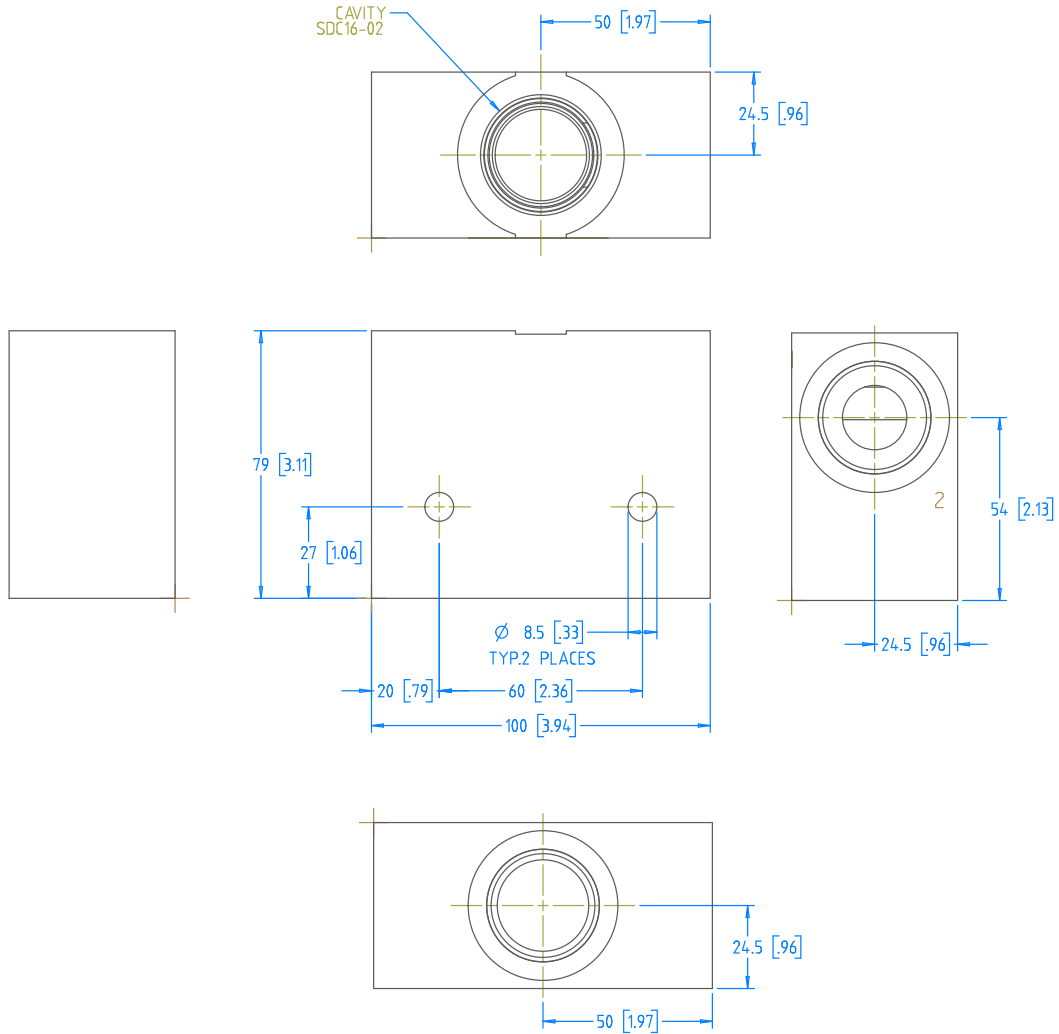


Housings
 SDC16-2 (Standard - 1 BSP Port)

Options

Order Code	Description	Style	Ports
SDC16-2-8B	Aluminum Housing	Standard	1 BSP

Dimensional drawings

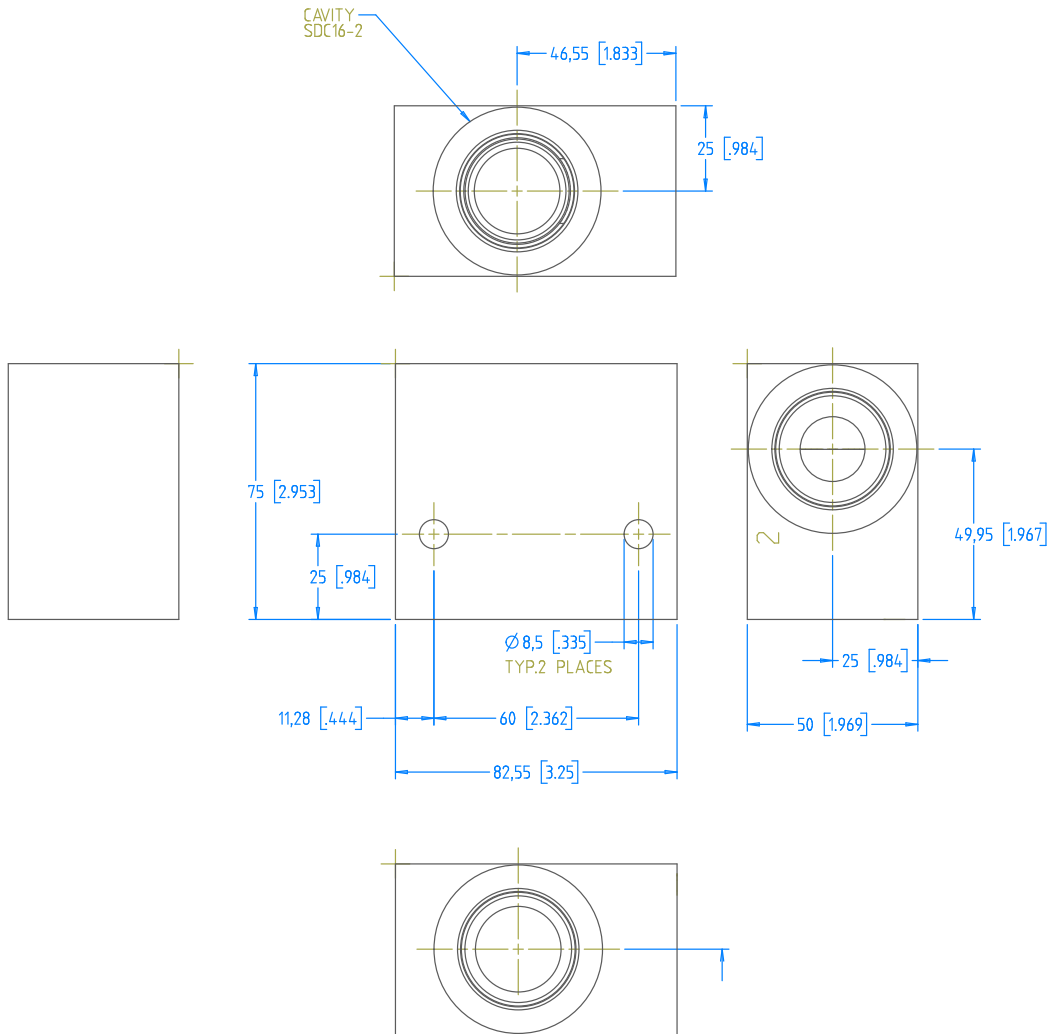


SDC16-3S (Standard - 1 BSP Port)
 Housings

Options

Order Code	Description	Style	Ports
SDC16-2-S8B	Ductile Housing	Standard	1 BSP

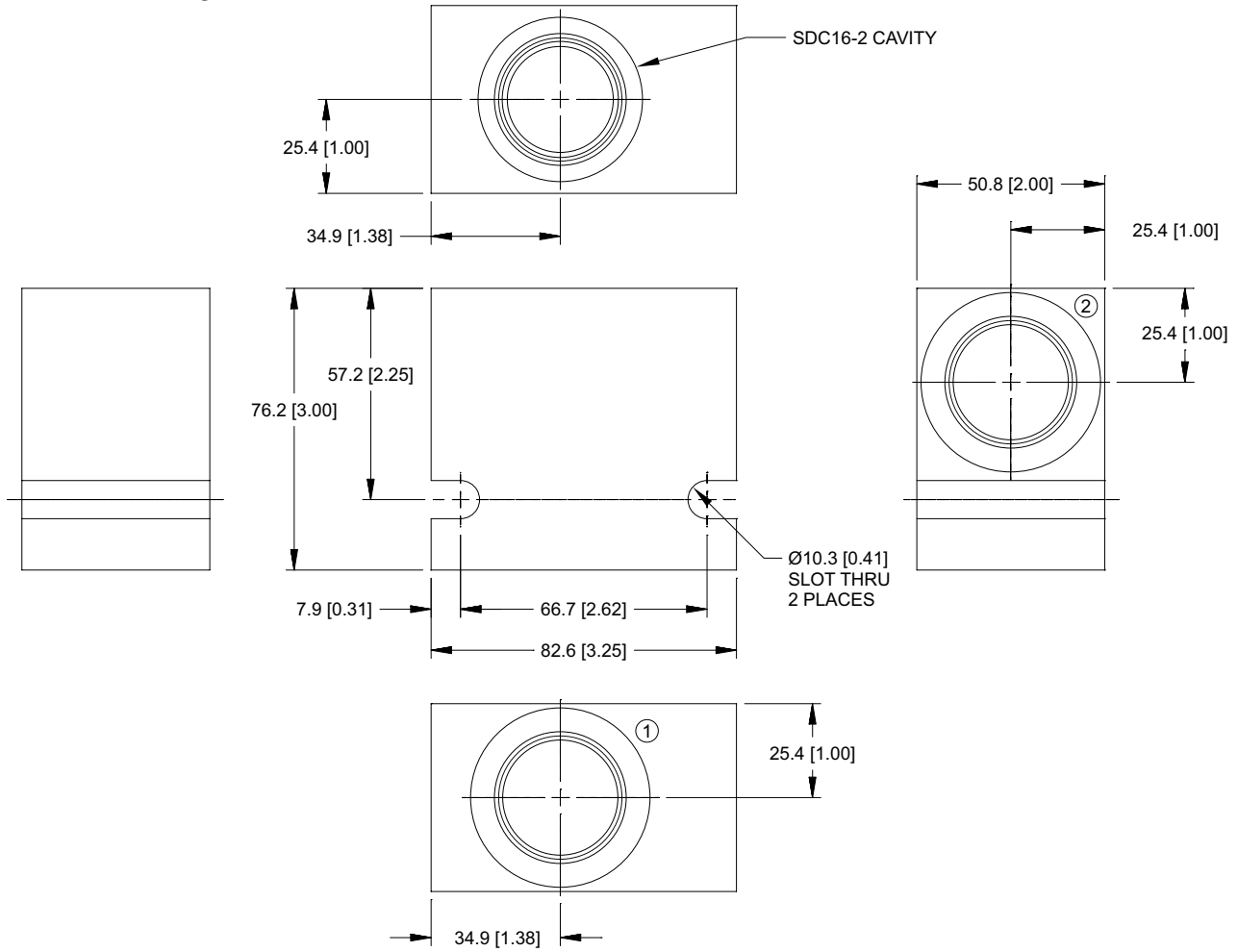
Dimensional drawings



Options

Order Code	Description	Style	Ports
SDC16-2-12S	Aluminium Housing	Standard	SAE #12
SDC16-2-16S	Aluminium Housing	Standard	SAE #16
SDC16-2-S12S	Ductile Housing	Standard	SAE #12
SDC16-2-S16S	Ductile Housing	Standard	SAE #16

Dimensional drawings

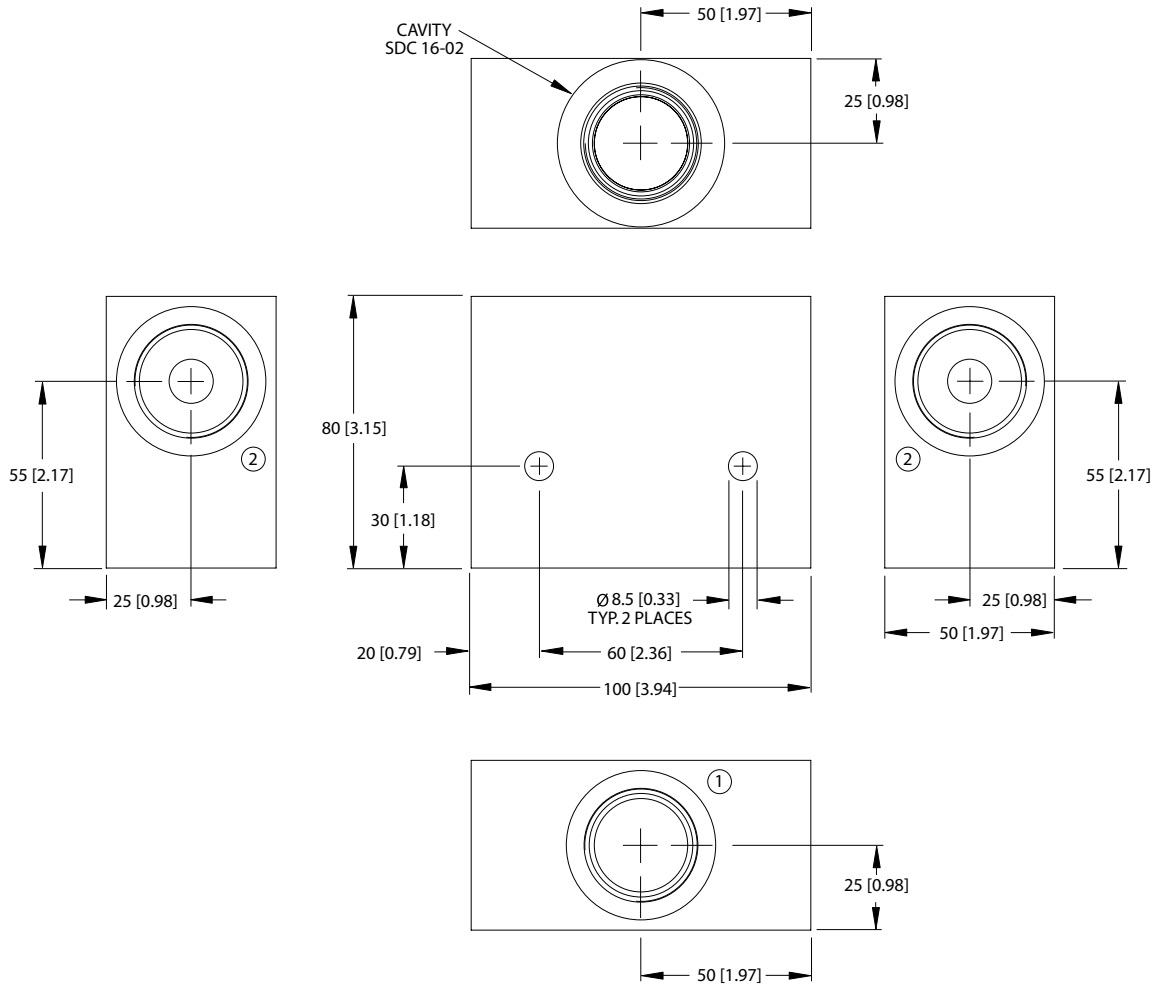


Housings
 SDC16-2 (Slot Style Mounts)

Options

Order Code	Description	Style	Ports
CP16-2-12S	Aluminum Housing	Slot Style	SAE #12
CP16-2-16S	Aluminum Housing	Slot Style	SAE #16
CP16-2-S16S	Ductile Housing	Slot Style	SAE #16

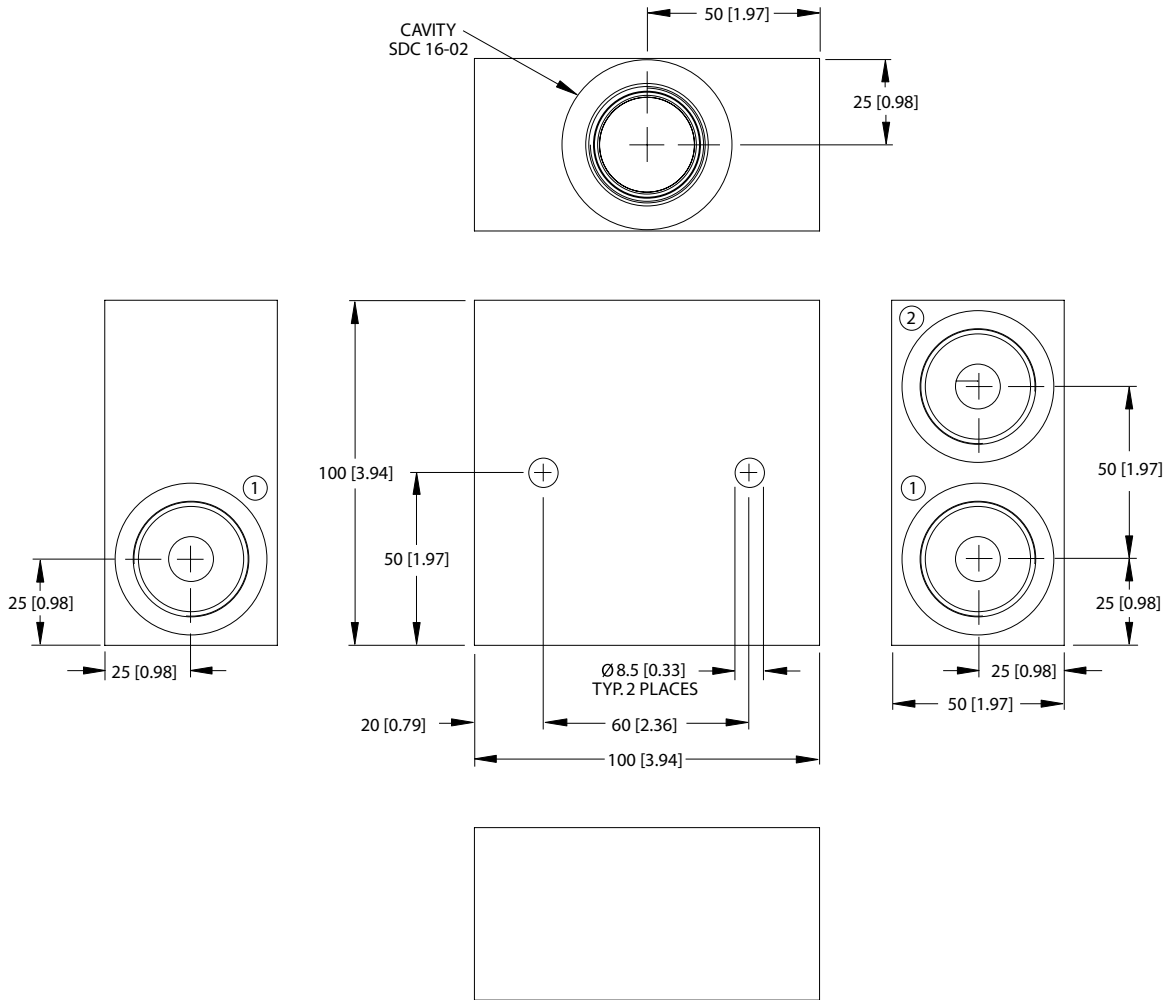
Dimensional drawings



Options

Order Code	Description	Style	Ports
SDC16-2-HG1-8B	Aluminum Housing, Two #2 Ports	HG1	1 BSP

Dimensional drawings

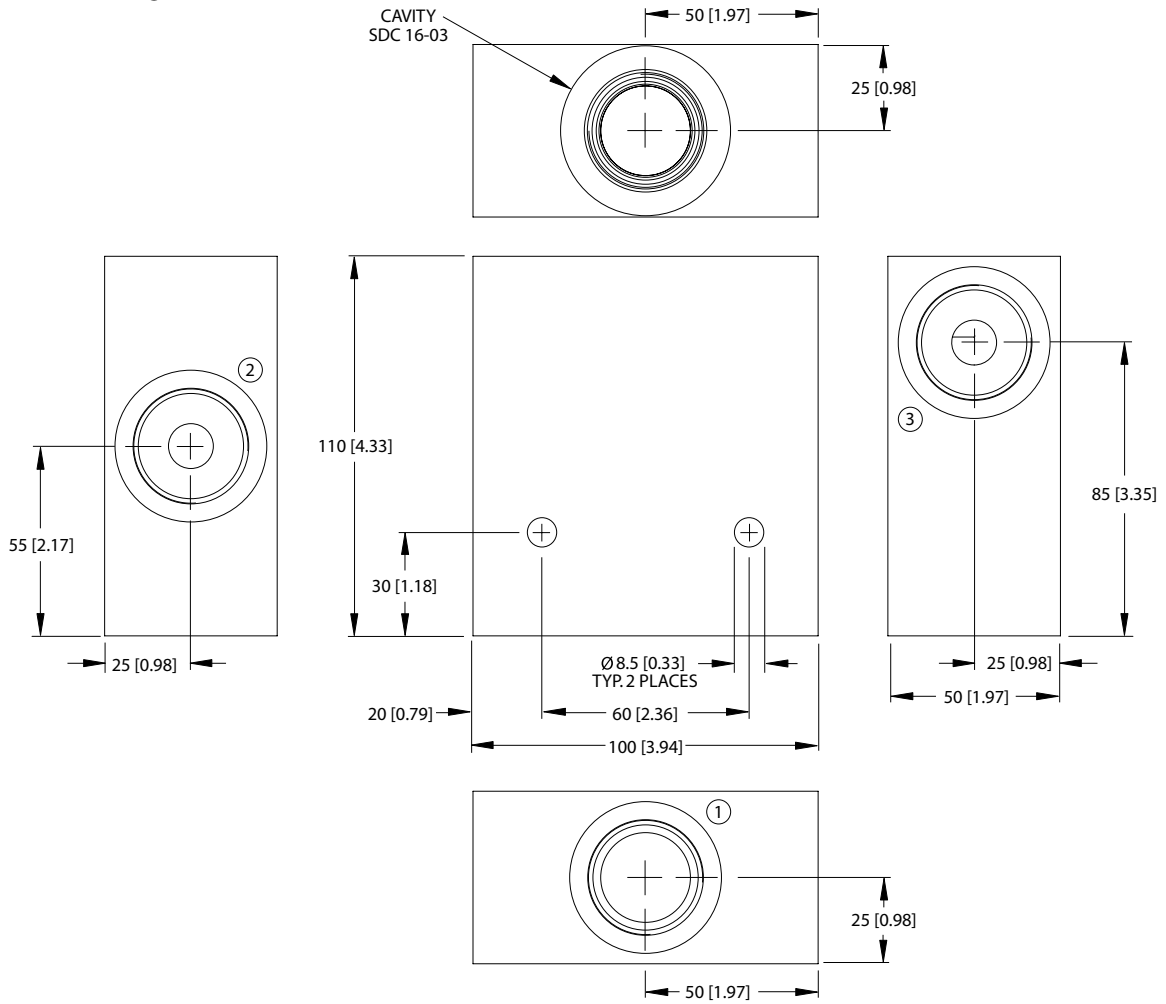


Housings
 SDC16-2 (HG2)

Options

Order Code	Description	Style	Ports
SDC16-2-HG2-8B	Aluminum Housing, Two #1 Ports	HG2	1 BSP

Dimensional drawings

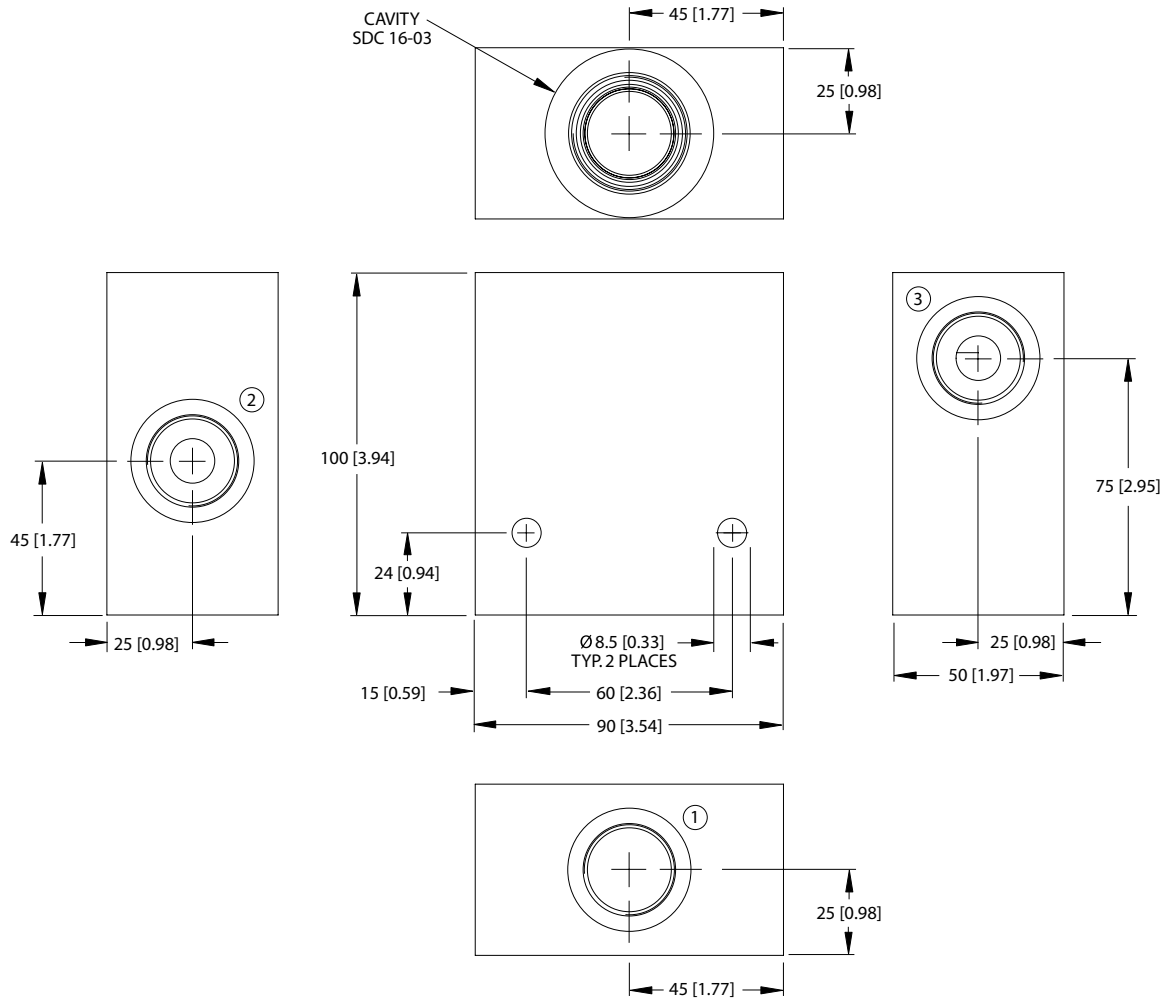


Housings
 SDC16-3 (HE - 1 BSP Ports)

Options

Order Code	Description	Style	Ports
SDC16-3-HE-8B	Aluminum Housing	HE	1 BSP

Dimensional drawings

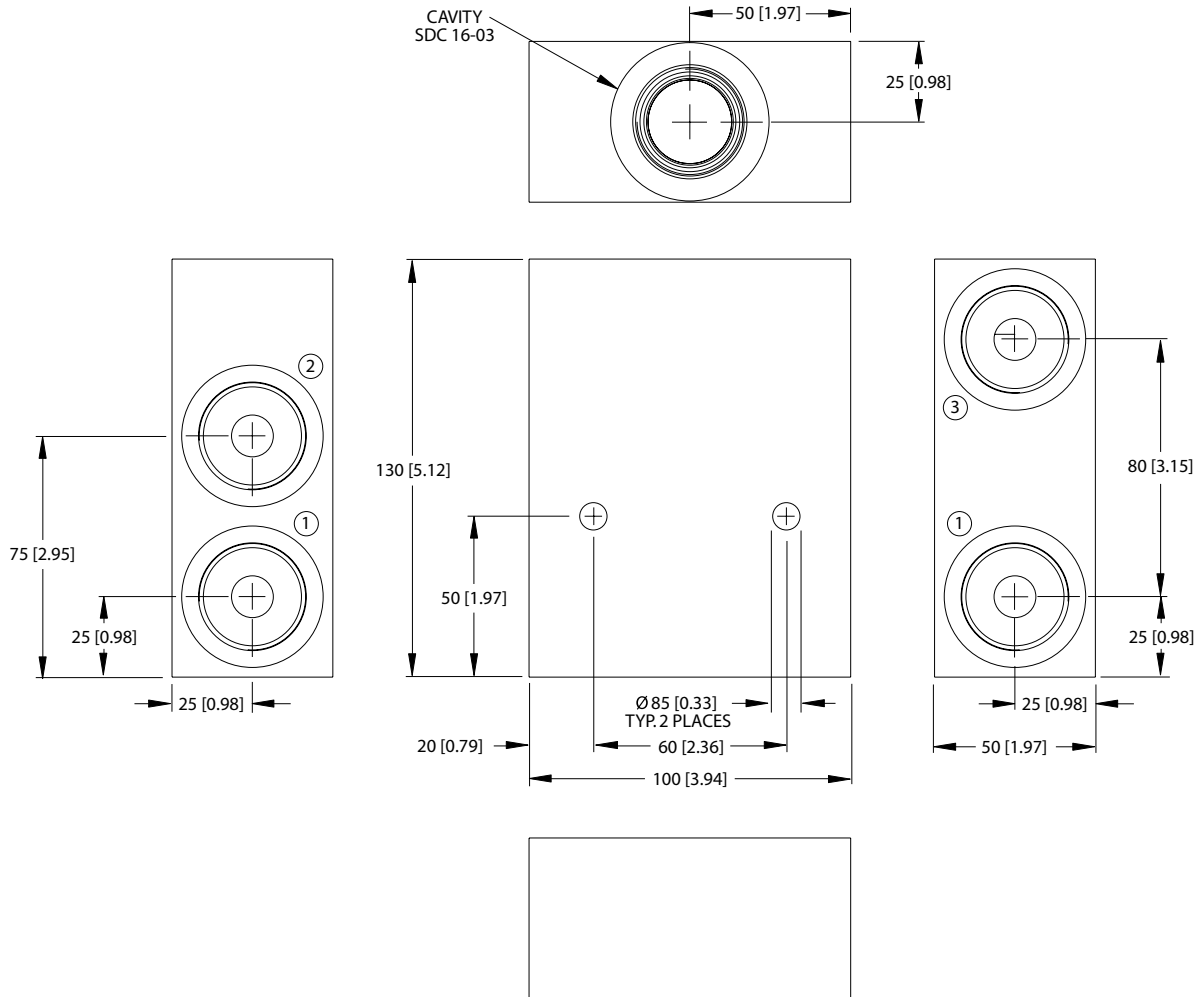


Options

Order Code	Description	Style	Ports
SDC16-3-HE-6B	Aluminum Housing	HE	3/4 BSP

SDC16-3 (HE - 3/4 BSP Ports)
 Housings

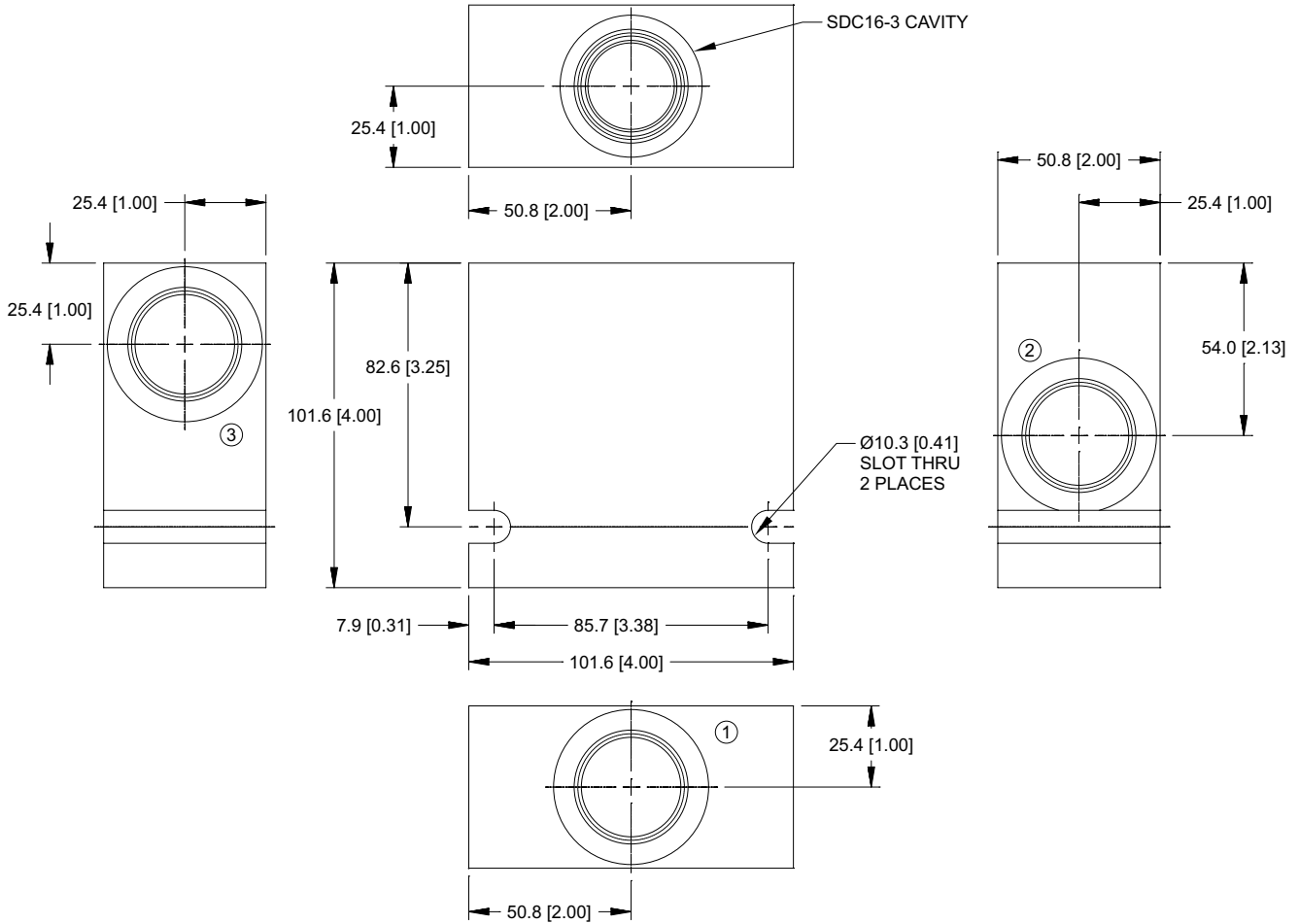
Dimensional drawings



Options

Order Code	Description	Style	Ports
SDC16-3-HI-8B	Aluminum Housing, Two #1 Ports	HI	1 BSP

Dimensional drawings

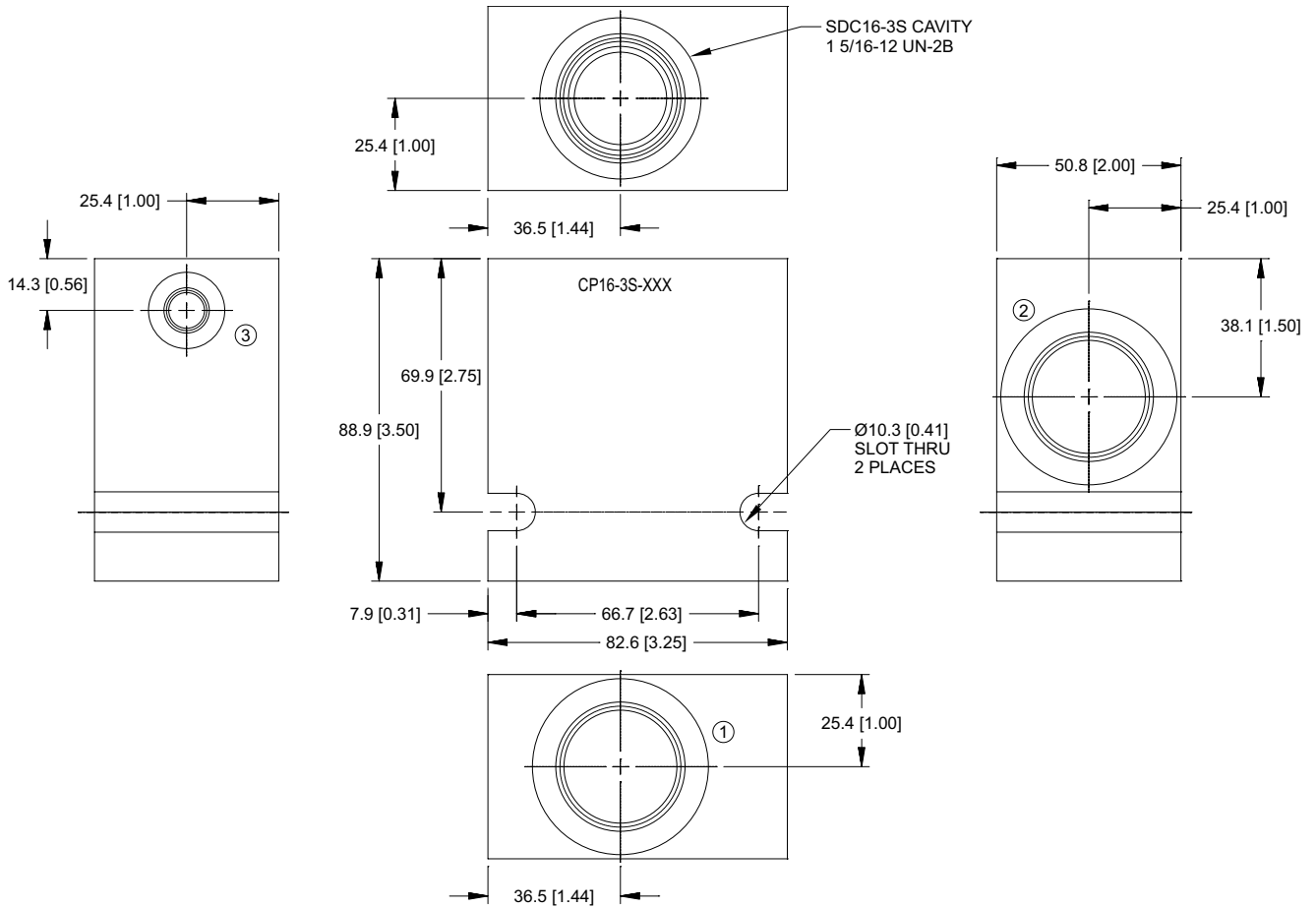


SDC16-3 (Standard) Housings

Options

Order Code	Description	Style	Ports
CP16-3-12S	Aluminum Housing	Standard	SAE #12
CP16-3-16S	Aluminum Housing	Standard	SAE #16

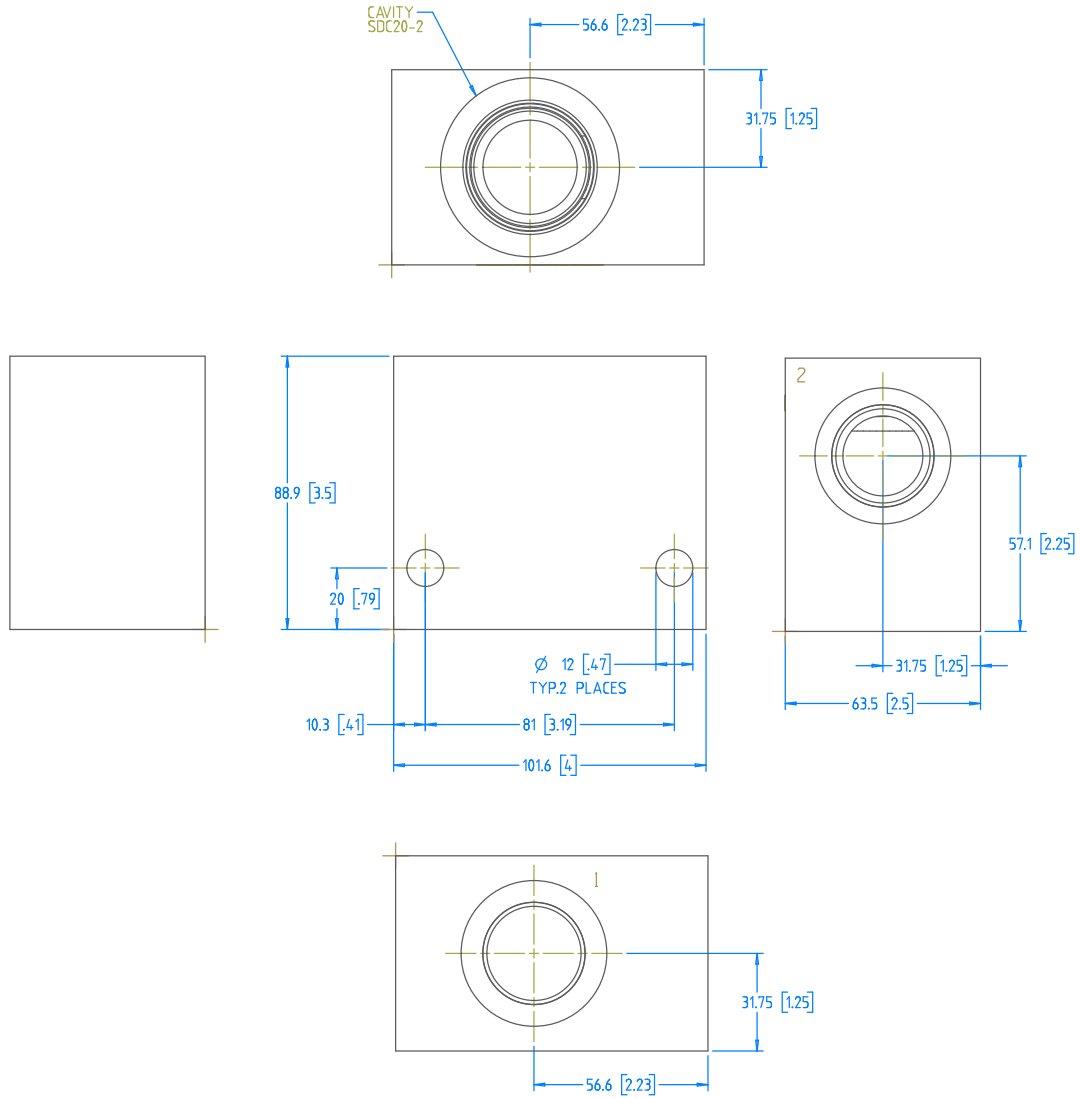
Dimensional drawings



Options

Order Code	Description	Style	Ports
CP16-3S-12S/4S	Aluminum Housing, Pilot at Port #3	Standard	SAE #12, #4
CP16-3S-16S/4S	Aluminum Housing, Pilot at Port #3	Standard	SAE #16, #4
CP16-3S-6B/2B	Aluminum Housing, Pilot at Port #3	Standard	3/4 BSP, 1/4 BSP
CP16-3S-8B/2B	Aluminum Housing, Pilot at Port #3	Standard	1 BSP, 1/4 BSP

Dimensional drawings

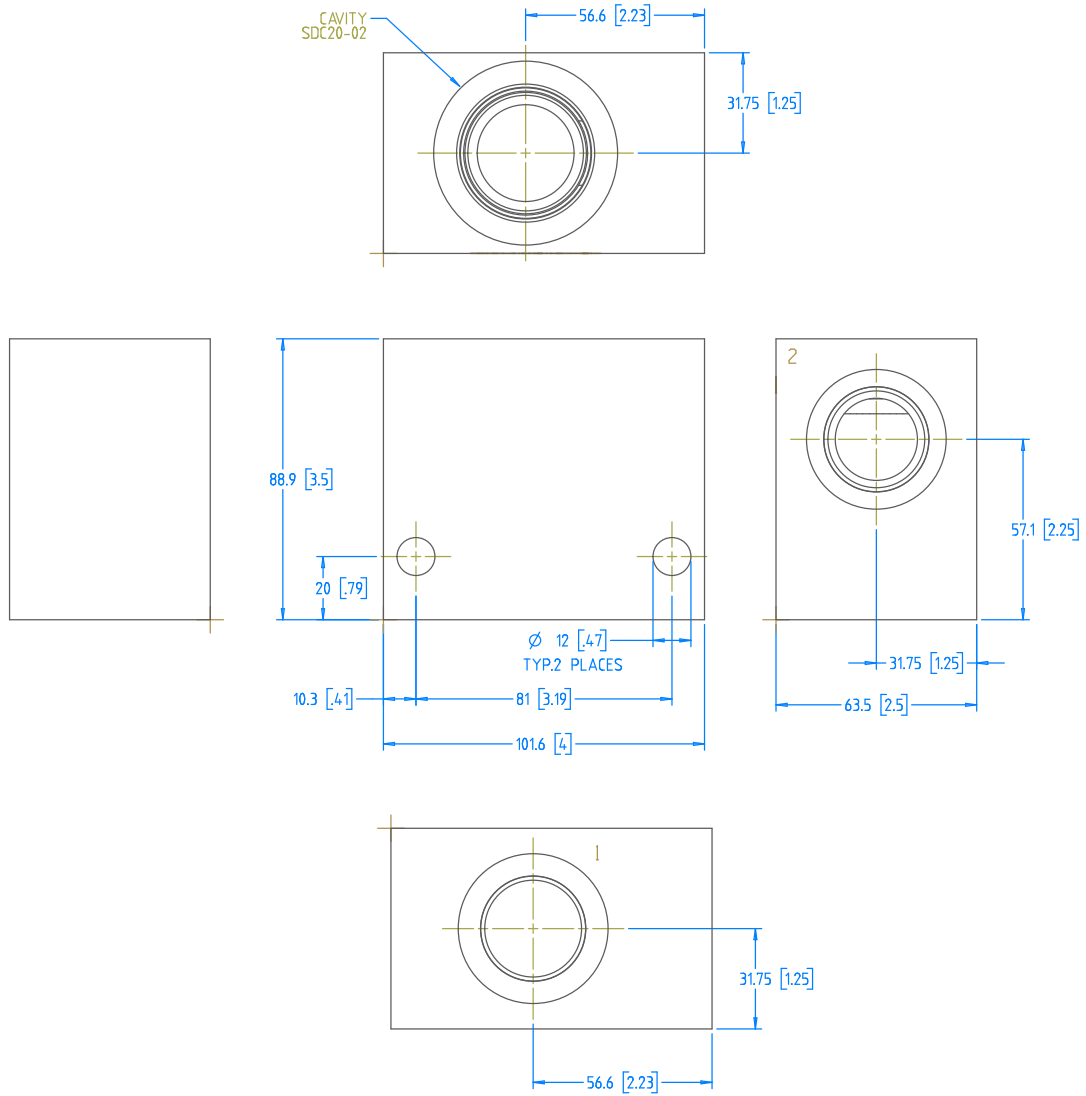


Housings
 SDC20-2 (Standard - 1 BSP Port)

Options

Order Code	Description	Style	Ports
SDC20-2-8B	Aluminum Housing	Standard	1 BSP

Dimensional drawings

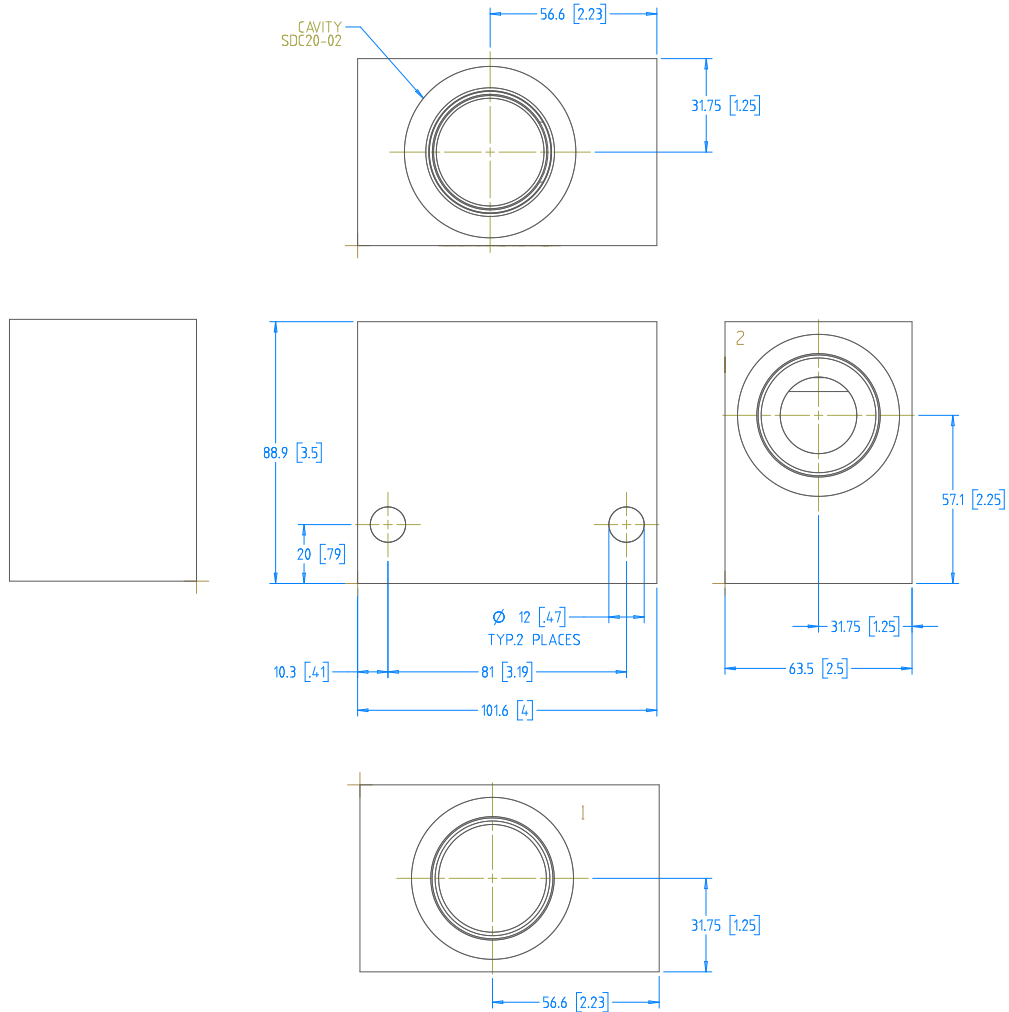


Housings
 SDC20-2 (Ductile - 1 BSP Port)

Options

Order Code	Description	Style	Ports
SDC20-2-S8B	Ductile Housing	Standard	1 BSP

Dimensional drawings

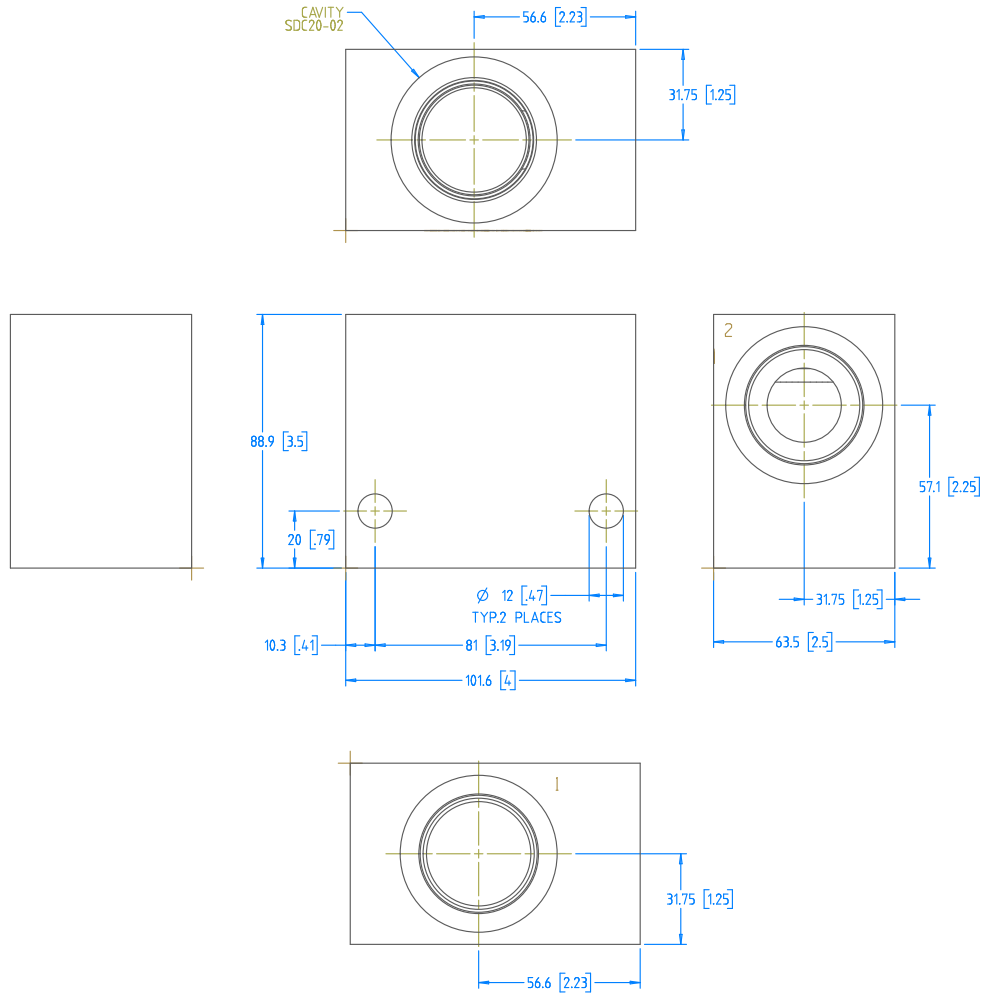


SDC20-2 (Standard - 1 1/4 BSP Port)
 Housings

Options

Order Code	Description	Style	Ports
SDC20-2-10B	Aluminum Housing	Standard	1 1/4 BSP

Dimensional drawings

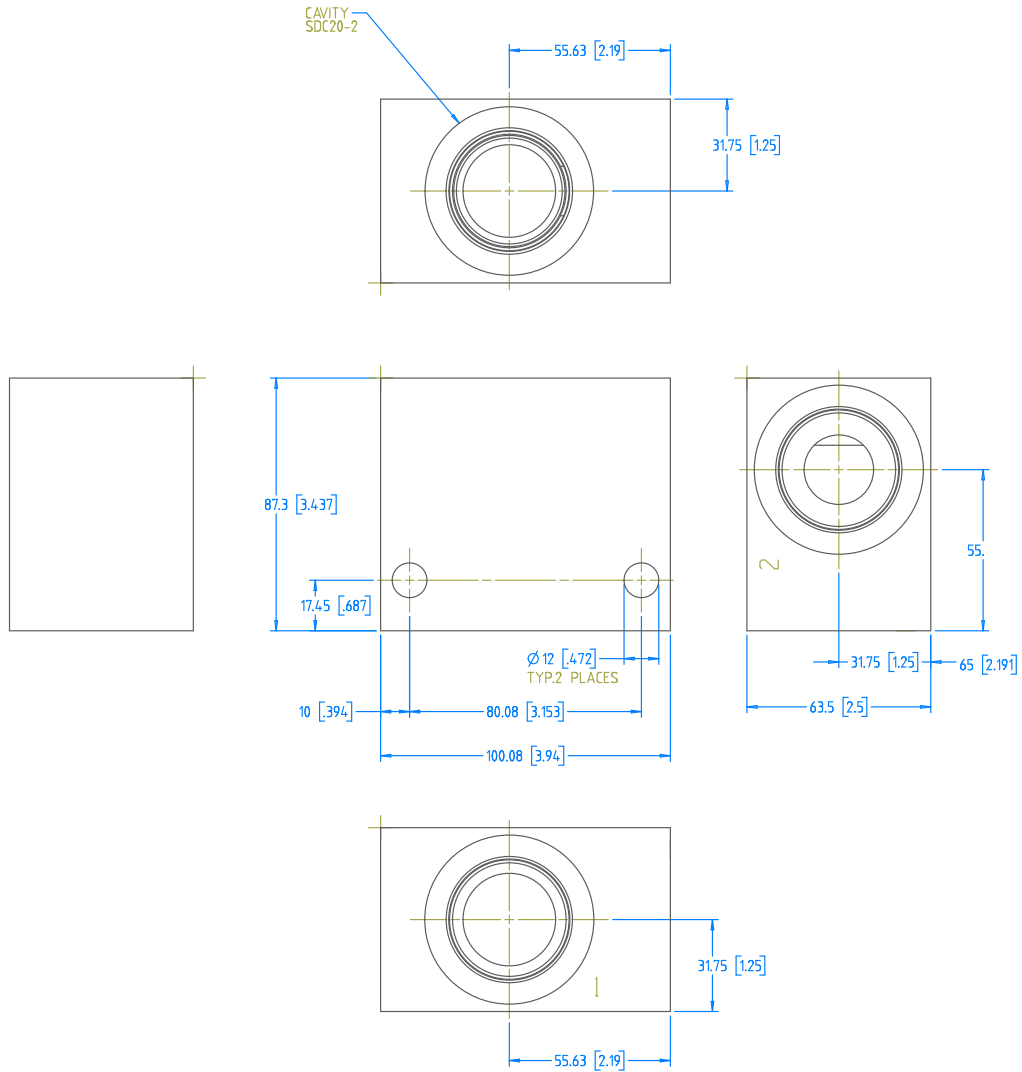


Housings
 SDC20-2 (Ductile - 1 1/4 BSP Port)

Options

Order Code	Description	Style	Ports
SDC20-2-S10B	Ductile Housing	Standard	1 1/4 BSP

Dimensional drawings

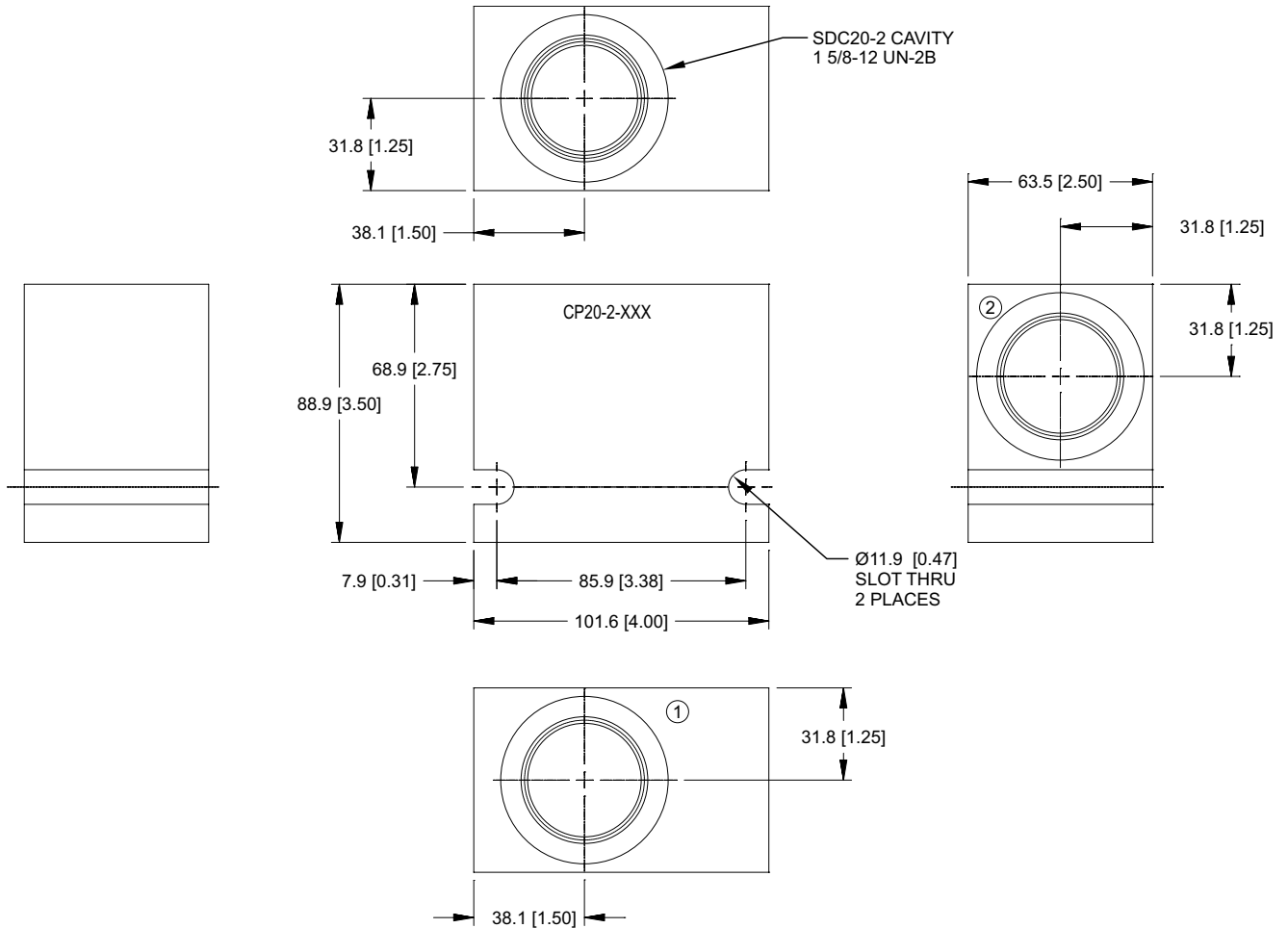


Housings
 SDC20-2 (Standard - SAE Ports)

Options

Order Code	Description	Style	Ports
SDC20-2-16S	Aluminum Housing	Standard	SAE # 16
SDC20-2-20S	Aluminum Housing	Standard	SAE # 20
SDC20-2-S16s	Ductile Housing	Standard	SAE # 16
SDC20-2-S20s	Ductile Housing	Standard	SAE # 20

Dimensional drawings

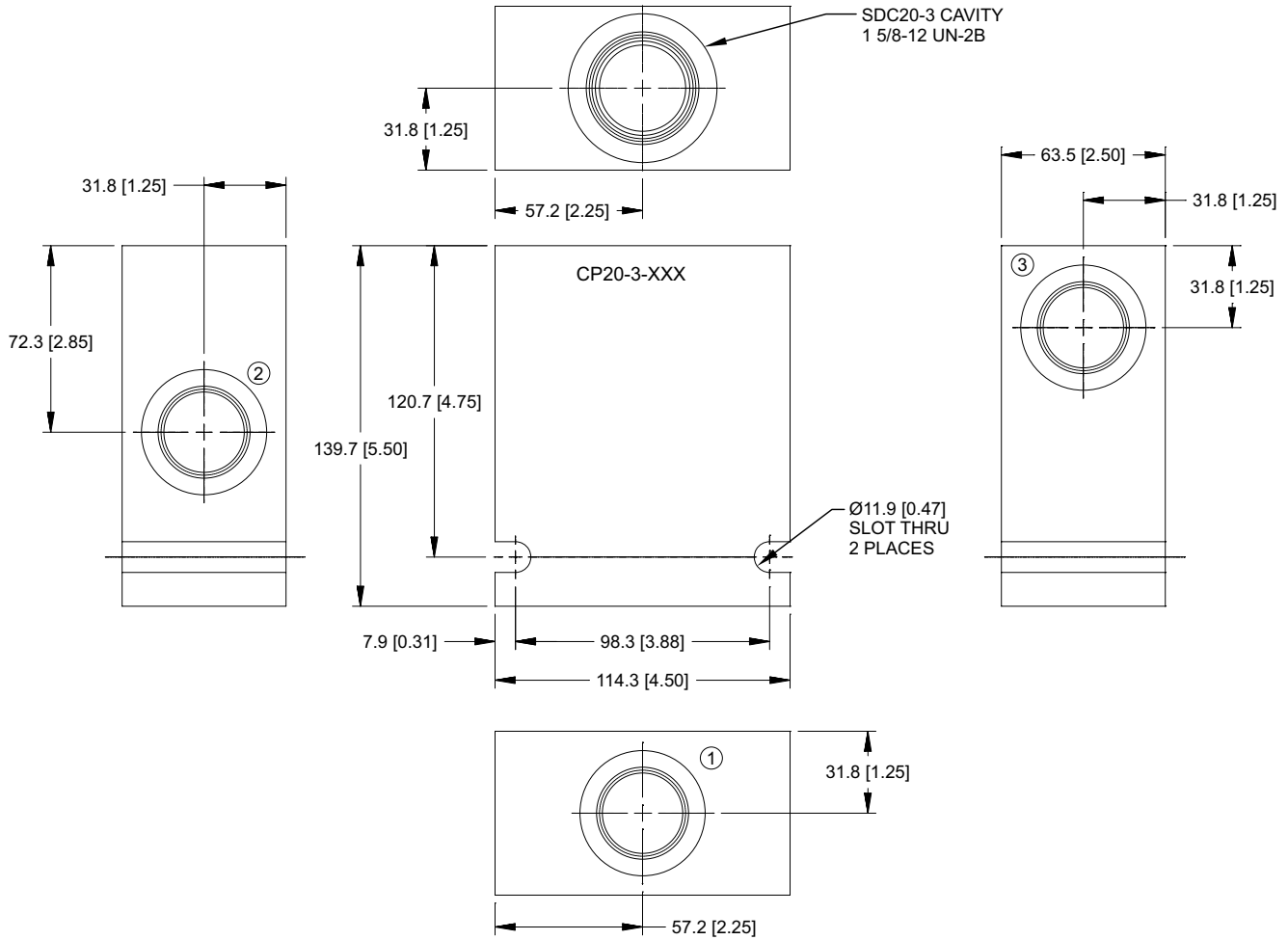


Housings
 SDC20-2 (Slot Style Mounts)

Options

Order Code	Description	Style	Ports
CP20-2-10B	Aluminum Housing	Slot Style	1 1/4 BSP
CP20-2-16S	Aluminum Housing	Slot Style	SAE #16
CP20-2-20S	Aluminum Housing	Slot Style	SAE #20
CP20-2-8B	Aluminum Housing	Slot Style	1 BSP

Dimensional drawings

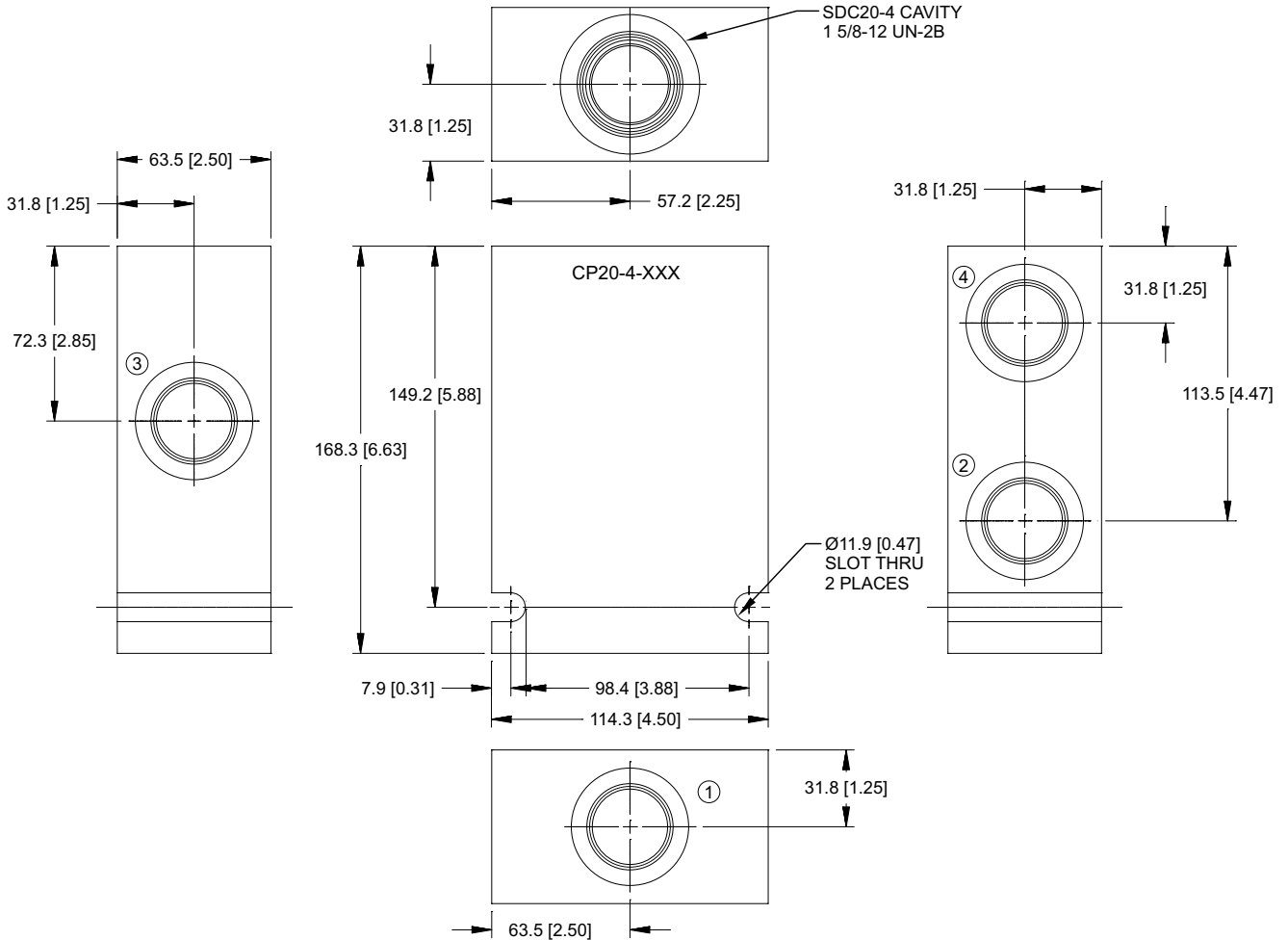


Housings
SDC20-3 (Standard)

Options

Order Code	Description	Style	Ports
CP20-3-10B	Aluminum Housing	Standard	1 1/4 BSP
CP20-3-10B/2B1	Aluminum Housing, Pilot at Port #3	Standard	1 1/4 BSP, 1/4 BSP
CP20-3-16S	Aluminum Housing	Standard	SAE #16
CP20-3-16S/4S1	Aluminum Housing, Pilot at Port #3	Standard	SAE #16, #4
CP20-3-20S	Aluminum Housing	Standard	SAE #20
CP20-3-20S/4S1	Aluminum Housing, Pilot at Port #3	Standard	SAE #20, #4
CP20-3-8B	Aluminum Housing	Standard	1 BSP
CP20-3-8B/2B1	Aluminum Housing, Pilot at Port #3	Standard	1 BSP, 1/4 BSP

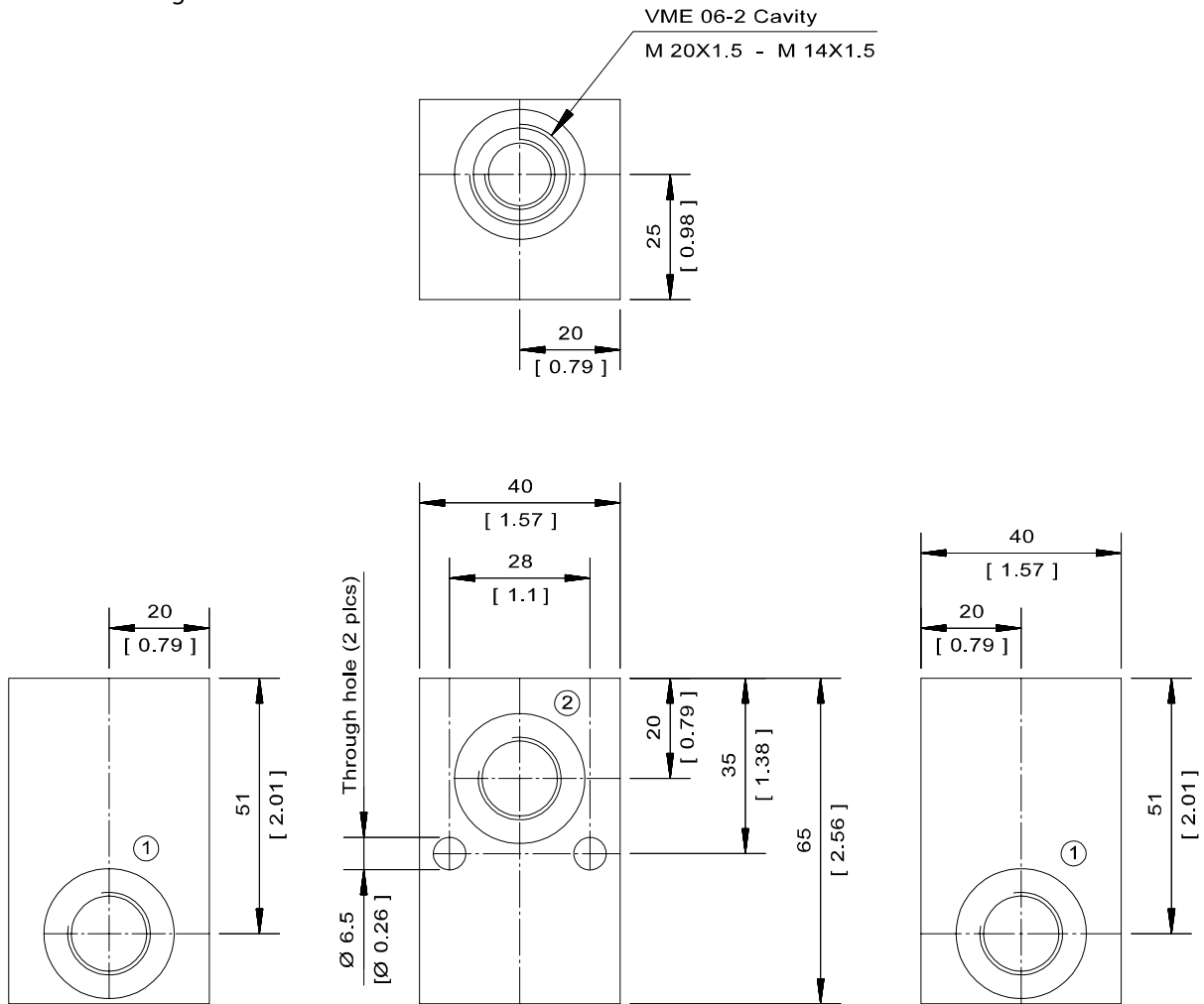
Dimensional drawings



Options

Order Code	Description	Style	Ports
CP20-4-10B	Aluminum Housing	Standard	1 1/4 BSP
CP20-4-10B-X1	Aluminum Housing, No Port #1	Omit port 1	1 1/4 BSP
CP20-4-16S	Aluminum Housing	Standard	SAE #16
CP20-4-16S/4S	Aluminum Housing, Pilot at Port #1	Standard	SAE #16, #4
CP20-4-16S-X1	Aluminum Housing, No Port #1	Omit port 1	SAE #16
CP20-4-20S	Aluminum Housing	Standard	SAE #20
CP20-4-20S/4S	Aluminum Housing, Pilot at Port #1	Standard	SAE #20, #4
CP20-4-20S-X1	Aluminum Housing, No Port #1	Omit port 1	SAE #20
CP20-4-8B	Aluminum Housing	Standard	1 BSP
CP20-4-8B-X1	Aluminum Housing, No Port #1	Omit port 1	1 BSP
CP20-4-S16S	Steel Housing	Standard	SAE #16
CP20-4-S16S-X1	Steel Housing, No Port #1	Omit port 1	SAE #16

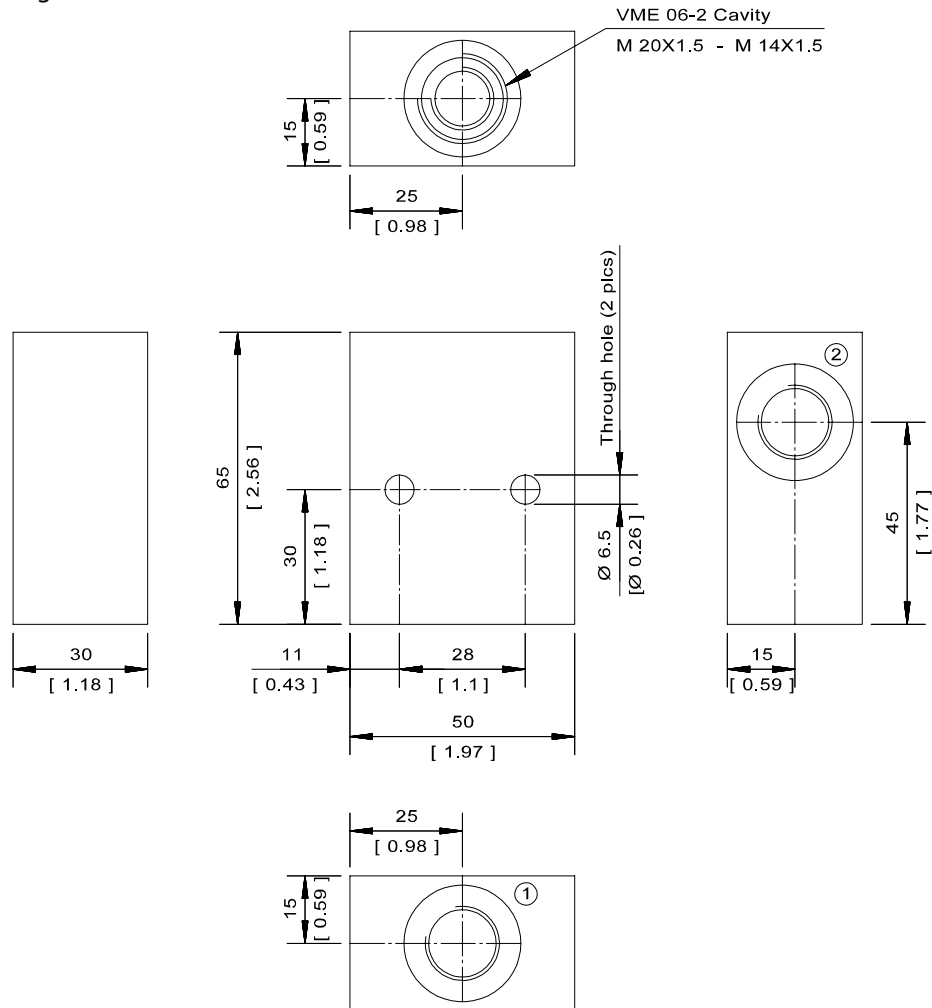
Dimensional drawings



Options

Order Code	Description	Style	Ports
VME 06-LG-3B	Aluminum Housing	LG	3/8 BSP
VME 06-LG-6S	Aluminum Housing	LG	SAE #6

Dimensional drawings

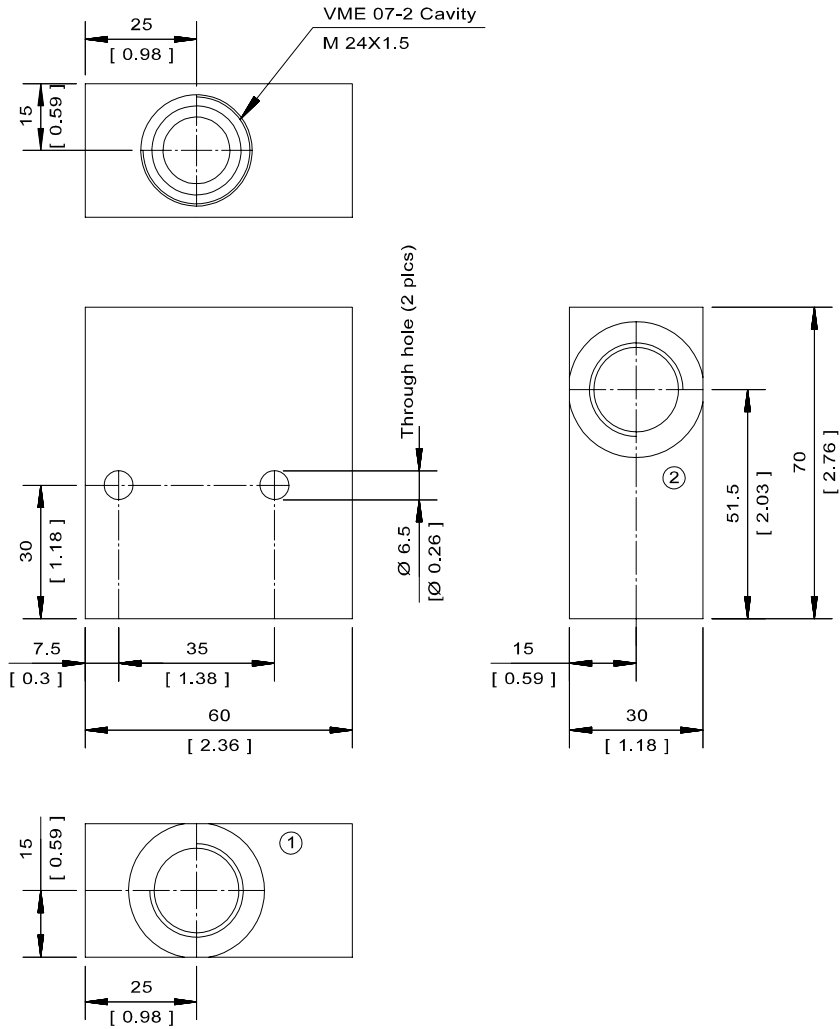


Housings
 VME06 (DG)

Options

Order Code	Description	Style	Ports
VME 06-DG-3B	Aluminum Housing	DG	3/8 BSP
VME 06-DG-6S	Aluminum Housing	DG	SAE #6

Dimensional drawings

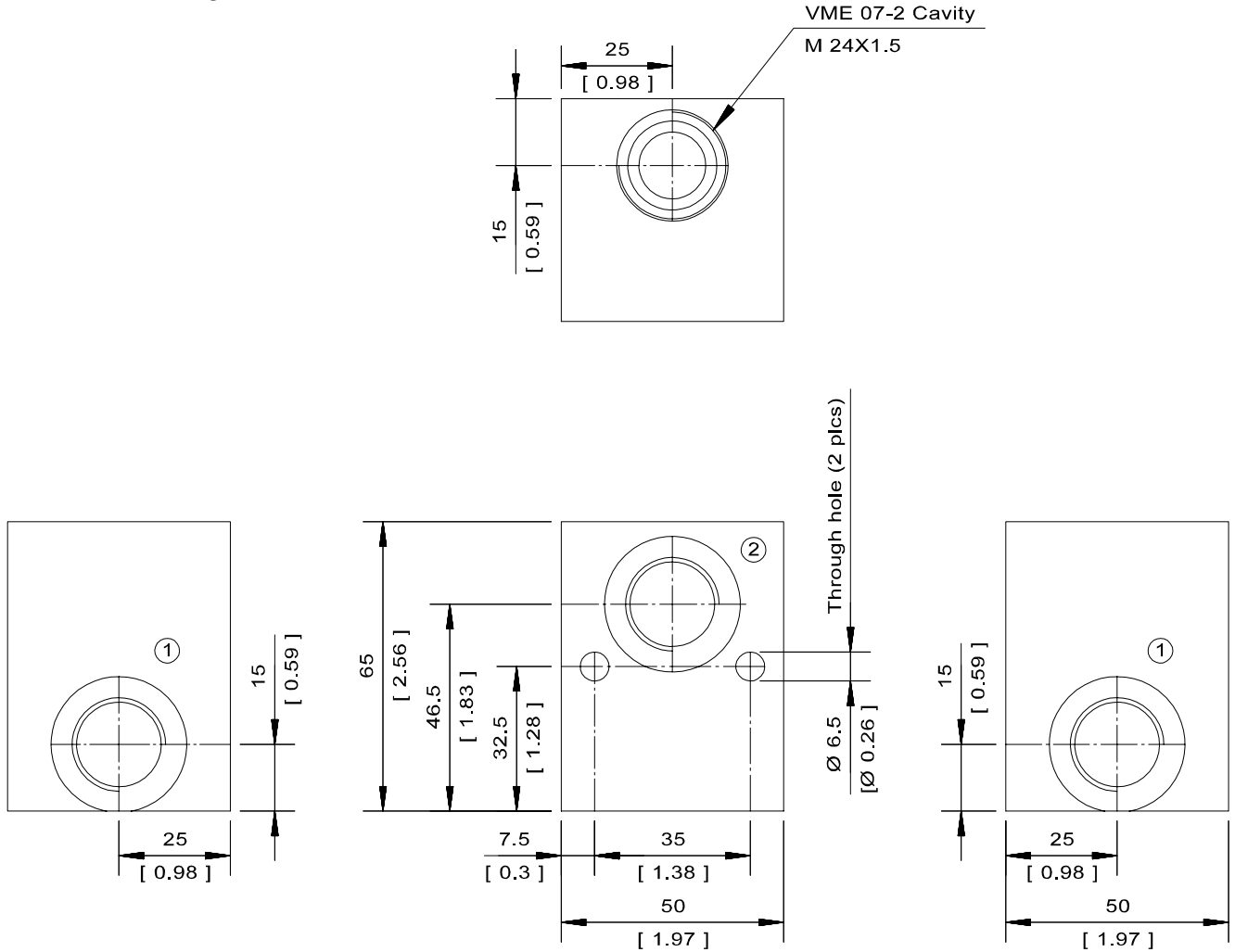


Housings
 VME07 (DG)

Options

Order Code	Description	Style	Ports
VME 07-DG-4B	Aluminum Housing	DG	1/2 BSP
VME 07-DG-8S	Aluminum Housing	DG	SAE #8

Dimensional drawings

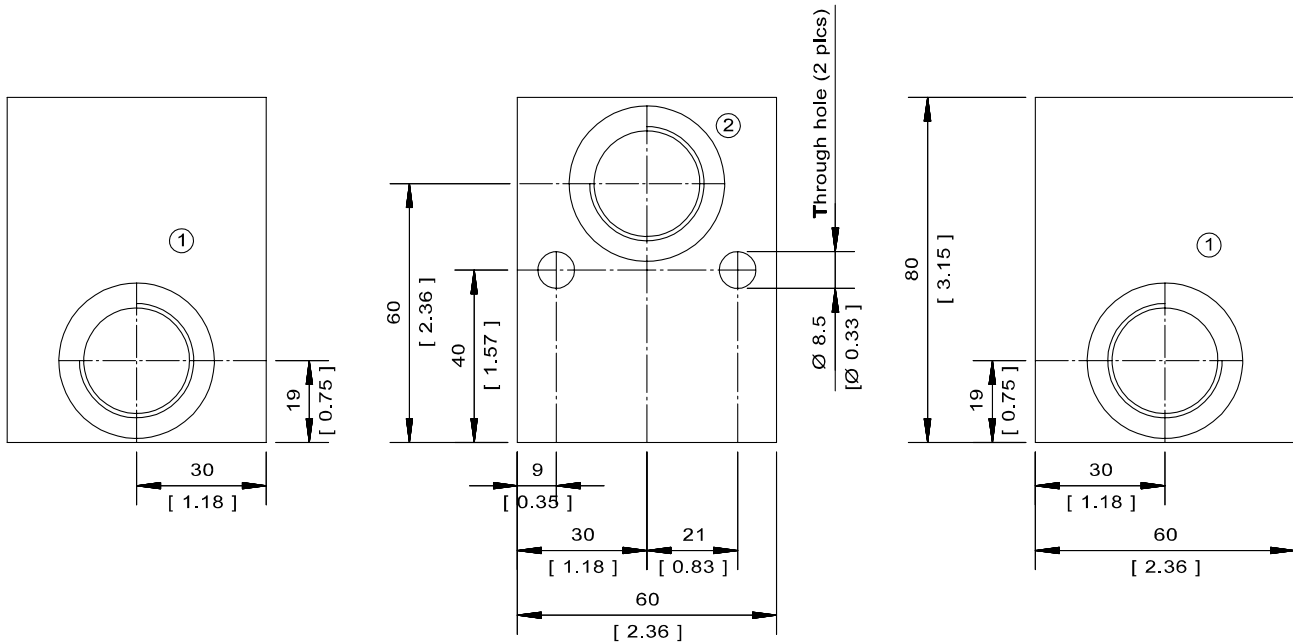
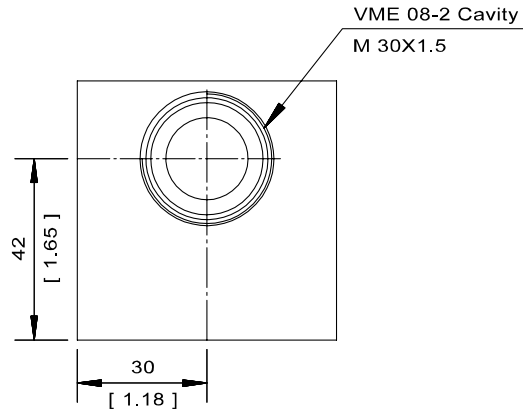


Housings
 VME07 (LG)

Options

Order Code	Description	Style	Ports
VME 07-LG-4B	Aluminum Housing	LG	1/2 BSP
VME 07-LG-8S	Aluminum Housing	LG	SAE #8

Dimensional drawings

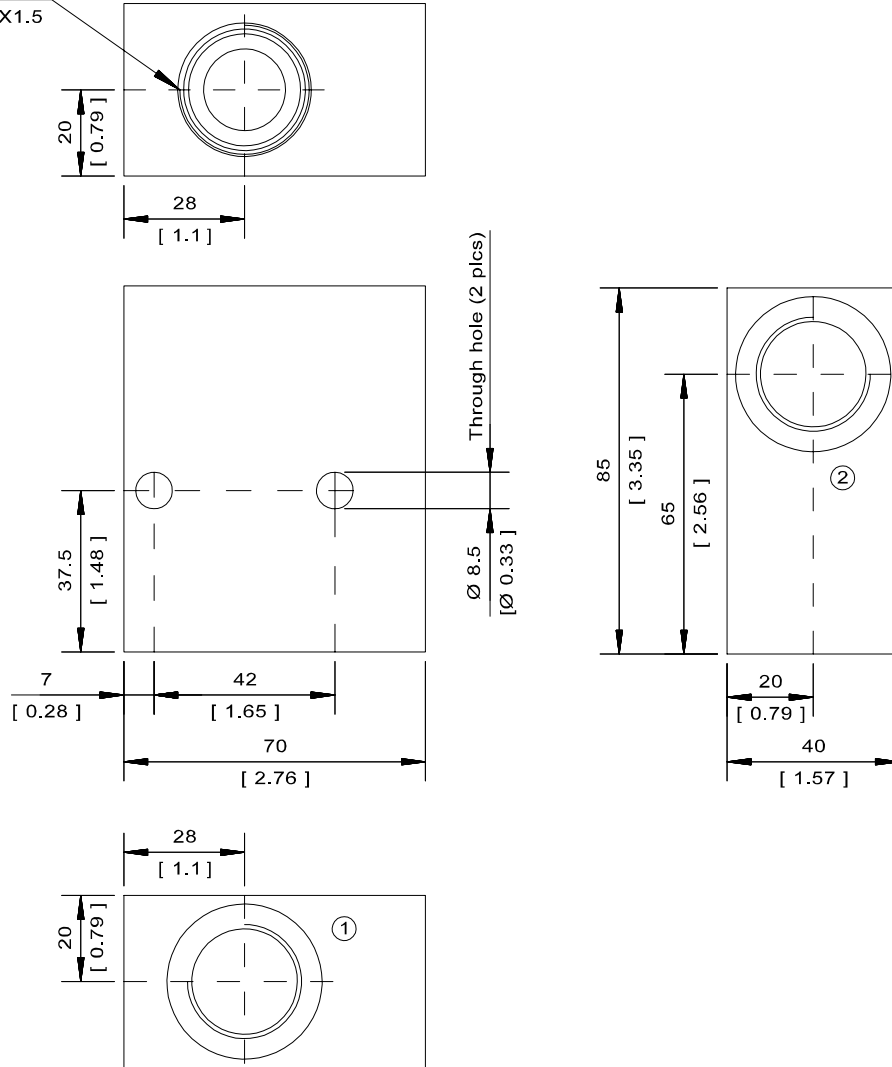


Options

Order Code	Description	Style	Ports
VME 08-LG-12S	Aluminum Housing	LG	SAE #12
VME 08-LG-6B	Aluminum Housing	LG	3/4 BSP

Dimensional drawings

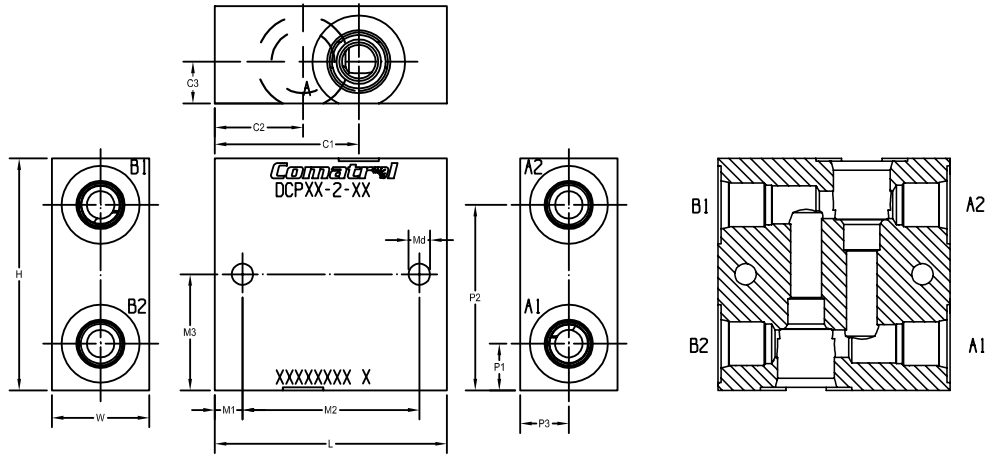
VME 08-2 Cavity
 M 30X1.5



Options

Order Code	Description	Style	Ports
VME 08-DG-12S	Aluminum Housing	DG	SAE #12
VME 08-DG-6B	Aluminum Housing	DG	3/4 BSP

Dimensional drawings



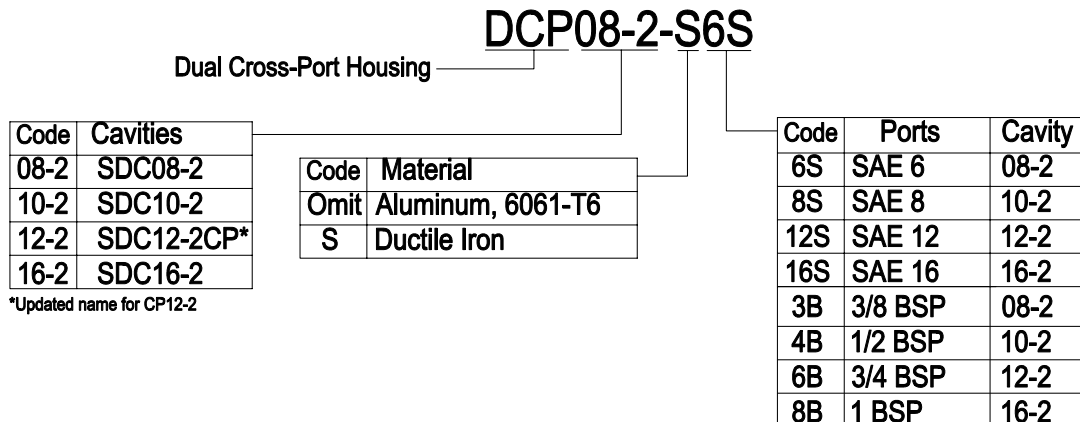
SAE PORT DIMENSIONS

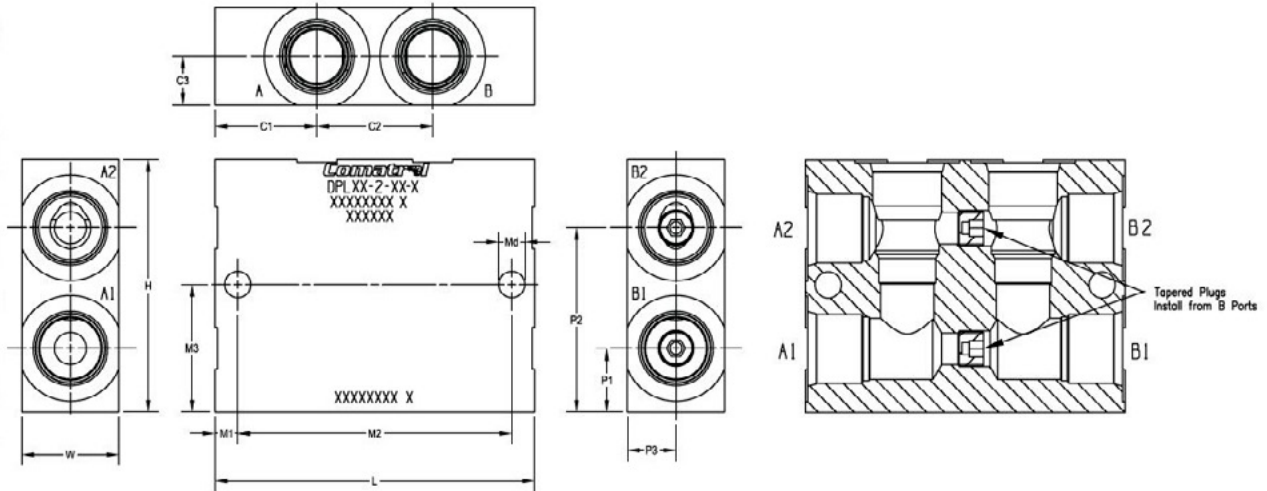
Body	Ports (SAE)	Material	W		L		H		M1		M2		M3		Md		P1		P2		P3		C1		C2		C3	
			mm	in	mm	in	mm	in	mm	in	mm	in	mm	in	mm	in	mm	in	mm	in	mm	in	mm	in	mm	in	mm	in
DCP08	#6 SAE	Aluminum	31.8	1.25	75.0	2.95	62.5	2.46	9.0	0.35	57.0	2.24	31.0	1.22	7.0	0.28	15.2	0.60	47.3	1.86	15.9	0.63	46.5	1.83	28.5	1.12	13.6	0.54
		Ductile	31.8	1.25	75.7	2.98	75.7	2.98	9.0	0.35	57.0	2.24	37.9	1.49	7.0	0.28	15.2	0.60	60.5	2.38	15.9	0.63	46.9	1.85	28.8	1.13	13.6	0.54
DCP10	#8 SAE	Aluminum	38.1	1.50	87.3	3.44	75.0	2.95	9.0	0.35	69.3	2.73	37.0	1.46	7.0	0.28	19.0	0.75	56.1	2.21	19.1	0.75	32.0	1.26	55.3	2.18	15.9	0.63
		Ductile	38.1	1.50	87.3	3.44	75.0	2.95	9.0	0.35	69.3	2.73	37.0	1.46	7.0	0.28	19.0	0.75	56.1	2.21	19.1	0.75	33.5	1.32	53.8	2.12	18.1	0.71
DCP12	#12 SAE	Aluminum	38.1	1.50	125.4	4.94	99.0	3.90	9.0	0.35	94.7	3.73	50.0	1.97	10.3	0.41	26.8	1.05	73.3	2.88	19.0	0.75	71.7	2.82	41.0	1.61	19.0	0.75
		Ductile	38.1	1.50	112.7	4.44	99.0	3.90	9.0	0.35	107.4	4.23	50.0	1.97	10.3	0.41	26.8	1.05	72.3	2.84	19.0	0.75	83.4	3.28	42.0	1.65	19.1	0.75
DCP16	#16 SAE	Aluminum	44.5	1.75	125.4	4.94	100.0	3.94	9.0	0.35	107.4	4.23	50.0	1.97	10.3	0.41	23.0	0.91	75.5	2.97	22.2	0.88	79.4	3.13	46.0	1.81	22.2	0.88
		Ductile	44.5	1.75	125.4	4.94	112.7	4.44	9.0	0.35	107.4	4.23	56.4	2.22	10.3	0.41	25.6	1.01	87.2	3.43	22.2	0.88	79.4	3.13	46.0	1.81	22.2	0.88

BSP PORT DIMENSIONS

Body	Ports (BSP)	Material	W		L		H		M1		M2		M3		Md		P1		P2		P3		C1		C2		C3	
			mm	in	mm	in	mm	in	mm	in	mm	in	mm	in	mm	in	mm	in	mm	in	mm	in	mm	in	mm	in	mm	in
DCP08	G3/8	Aluminum	32.0	1.26	75.0	2.95	62.5	2.46	9.0	0.35	57.0	2.24	31.0	1.22	7.0	0.28	15.2	0.60	47.3	1.86	16.0	0.63	46.5	1.83	28.5	1.12	13.6	0.54
		Ductile	32.0	1.26	75.0	2.95	75.0	2.95	9.0	0.35	57.0	2.24	37.5	1.48	7.0	0.28	15.2	0.60	60.5	2.38	16.0	0.63	47.0	1.85	28.7	1.13	13.6	0.54
DCP10	G1/2	Aluminum	38.0	1.50	87.3	3.44	75.0	2.95	9.0	0.35	69.3	2.73	37.0	1.46	7.0	0.28	19.0	0.75	56.1	2.21	19.0	0.75	33.5	1.32	53.8	2.12	18.1	0.71
		Ductile	38.0	1.50	87.3	3.44	75.0	2.95	9.0	0.35	69.3	2.73	37.0	1.46	7.0	0.28	19.0	0.75	56.0	2.20	19.0	0.75	33.5	1.32	53.8	2.12	18.0	0.71
DCP12	G3/4	Aluminum	38.0	1.50	112.7	4.44	99.0	3.90	9.0	0.35	94.7	3.73	50.0	1.97	10.5	0.41	26.8	1.05	72.3	2.84	19.0	0.75	71.7	2.82	41.0	1.61	19.0	0.75
		Ductile	38.0	1.50	125.4	4.94	99.0	3.90	9.0	0.35	107.4	4.23	50.0	1.97	10.5	0.41	26.7	1.05	73.3	2.88	19.0	0.75	83.4	3.28	42.0	1.65	19.0	0.75
DCP16	G1	Aluminum	45.0	1.77	129.0	5.08	99.0	3.90	10.8	0.43	107.4	4.23	49.5	1.95	10.5	0.41	22.5	0.89	75.0	2.95	22.5	0.89	81.2	3.20	47.8	1.88	22.5	0.89
		Ductile	45.0	1.77	129.0	5.08	99.0	3.90	10.8	0.43	107.4	4.23	49.5	1.95	10.5	0.41	22.5	0.89	75.0	2.95	22.5	0.89	81.2	3.20	47.8	1.88	22.5	0.89

ORDERING INFORMATION - Dual Cross Port Body





SAE PORT DIMENSIONAL DRAWINGS

Body	Ports (SAE)	Material	W		L		H		M1		M2		M3		Md		P1		P2		P3		C1		C2		C3	
			mm	in	mm	in	mm	in	mm	in	mm	in	mm	in	mm	in	mm	in	mm	in	mm	in	mm	in	mm	in	mm	in
DCP08	#6 SAE	Aluminum	31.8	1.25	75.0	2.95	62.5	2.46	9.0	0.35	57.0	2.24	31.0	1.22	7.0	0.28	15.2	0.60	47.3	1.86	15.9	0.63	46.5	1.83	28.5	1.12	13.6	0.54
		Ductile	31.8	1.25	75.7	2.98	75.7	2.98	9.0	0.35	57.0	2.24	37.9	1.49	7.0	0.28	15.2	0.60	60.5	2.38	15.9	0.63	46.9	1.85	28.8	1.13	13.6	0.54
DCP10	#8 SAE	Aluminum	38.1	1.50	87.3	3.44	75.0	2.95	9.0	0.35	69.3	2.73	37.0	1.46	7.0	0.28	19.0	0.75	56.1	2.21	19.1	0.75	32.0	1.26	55.3	2.18	15.9	0.63
		Ductile	38.1	1.50	87.3	3.44	75.0	2.95	9.0	0.35	69.3	2.73	37.0	1.46	7.0	0.28	19.0	0.75	56.1	2.21	19.1	0.75	33.5	1.32	53.8	2.12	18.1	0.71
DCP12	#12 SAE	Aluminum	38.1	1.50	125.4	4.94	99.0	3.90	9.0	0.35	94.7	3.73	50.0	1.97	10.3	0.41	26.8	1.05	73.3	2.88	19.0	0.75	71.7	2.82	41.0	1.61	19.0	0.75
		Ductile	38.1	1.50	112.7	4.44	99.0	3.90	9.0	0.35	107.4	4.23	50.0	1.97	10.3	0.41	26.8	1.05	72.3	2.84	19.0	0.75	83.4	3.28	42.0	1.65	19.1	0.75
DCP16	#16 SAE	Aluminum	44.5	1.75	125.4	4.94	100.0	3.94	9.0	0.35	107.4	4.23	50.0	1.97	10.3	0.41	23.0	0.91	75.5	2.97	22.2	0.88	79.4	3.13	46.0	1.81	22.2	0.88
		Ductile	44.5	1.75	125.4	4.94	112.7	4.44	9.0	0.35	107.4	4.23	56.4	2.22	10.3	0.41	25.6	1.01	87.2	3.43	22.2	0.88	79.4	3.13	46.0	1.81	22.2	0.88

BSP PORT DIMENSIONAL DRAWINGS

Body	Ports (BSP)	Material	W		L		H		M1		M2		M3		Md		P1		P2		P3		C1		C2		C3	
			mm	in	mm	in	mm	in	mm	in	mm	in	mm	in	mm	in	mm	in	mm	in	mm	in	mm	in	mm	in	mm	in
DCP08	G3/8	Aluminum	32.0	1.26	75.0	2.95	62.5	2.46	9.0	0.35	57.0	2.24	31.0	1.22	7.0	0.28	15.2	0.60	47.3	1.86	16.0	0.63	46.5	1.83	28.5	1.12	13.6	0.54
		Ductile	32.0	1.26	75.0	2.95	75.0	2.95	9.0	0.35	57.0	2.24	37.5	1.48	7.0	0.28	15.2	0.60	60.5	2.38	16.0	0.63	47.0	1.85	28.7	1.13	13.6	0.54
DCP10	G1/2	Aluminum	38.0	1.50	87.3	3.44	75.0	2.95	9.0	0.35	69.3	2.73	37.0	1.46	7.0	0.28	19.0	0.75	56.1	2.21	19.0	0.75	33.5	1.32	53.8	2.12	18.1	0.71
		Ductile	38.0	1.50	87.3	3.44	75.0	2.95	9.0	0.35	69.3	2.73	37.0	1.46	7.0	0.28	19.0	0.75	56.0	2.20	19.0	0.75	33.5	1.32	53.8	2.12	18.0	0.71
DCP12	G3/4	Aluminum	38.0	1.50	112.7	4.44	99.0	3.90	9.0	0.35	94.7	3.73	50.0	1.97	10.5	0.41	26.8	1.05	72.3	2.84	19.0	0.75	71.7	2.82	41.0	1.61	19.0	0.75
		Ductile	38.0	1.50	125.4	4.94	99.0	3.90	9.0	0.35	107.4	4.23	50.0	1.97	10.5	0.41	26.7	1.05	73.3	2.88	19.0	0.75	83.4	3.28	42.0	1.65	19.0	0.75
DCP16	G1	Aluminum	45.0	1.77	129.0	5.08	99.0	3.90	10.8	0.43	107.4	4.23	49.5	1.95	10.5	0.41	22.5	0.89	75.0	2.95	22.5	0.89	81.2	3.20	47.8	1.88	22.5	0.89
		Ductile	45.0	1.77	129.0	5.08	99.0	3.90	10.8	0.43	107.4	4.23	49.5	1.95	10.5	0.41	22.5	0.89	75.0	2.95	22.5	0.89	81.2	3.20	47.8	1.88	22.5	0.89

ORDERING INFORMATION - Dual Parallel Body

DPL08-2-S6S-A

Dual Parallel Housing

Code	Cavities
08-2	SDC08-2
10-2	SDC10-2
12-2	SDC12-2CP*
16-2	SDC16-2

*Updated name for CP12-2

Code	Material
Omit	Aluminum, 6061-T6
S	Ductile Iron

Code	Ports	Cavity
6S	SAE 6	08-2
8S	SAE 8	10-2
12S	SAE 12	12-2
16S	SAE 16	16-2
3B	3/8 BSP	08-2
4B	1/2 BSP	10-2
6B	3/4 BSP	12-2
8B	1 BSP	16-2

Code	Plugs
Omit	None
A	Plug A1 - B1
B	Plug A2 - B2
C	Plug Both

